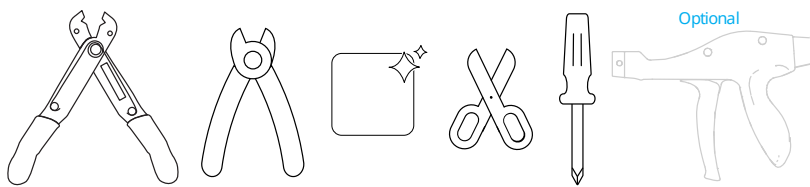


NOVUX™ Fiber Optic System NVX-CR-SA-SM-NN: Cable retention - Rigid strength member

1 Cable diameter range

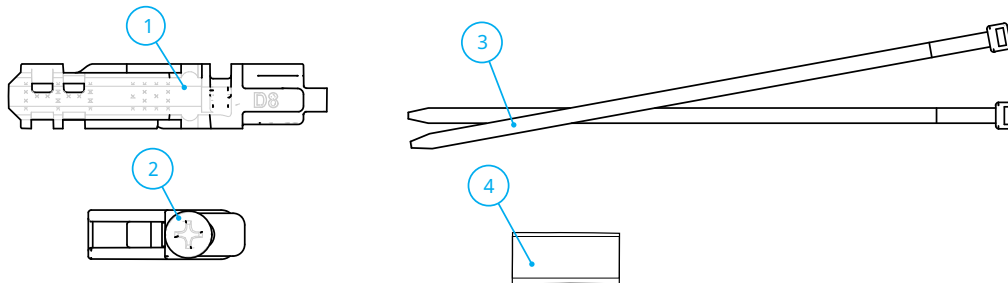
	mm	Inches
Round cable	≤ 8	≤ 0.32

2 Tools



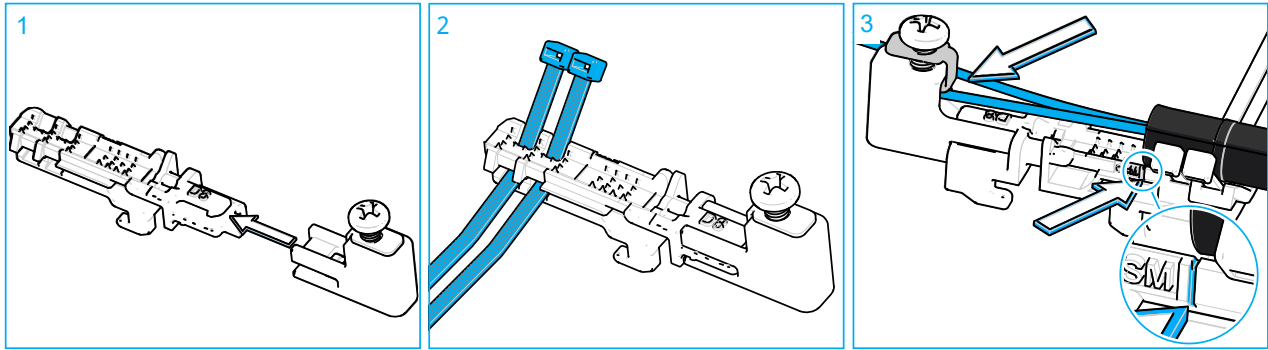
- Cable stripping and cleaning tools
- Scissors
- Phillips screw driver
- Cable Tie Gun (optional)

3 Kit contents

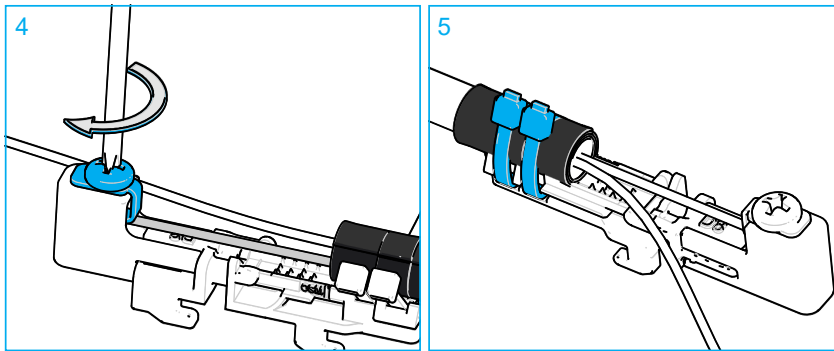


N°	Description	Qty
1	Carrier	1
2	Strength member connector with screw	1
3	Cable ties	2
4	Silicone tape (1,25 cm / 0.5 Inches width)	1

5 Install strain relief on drop cable



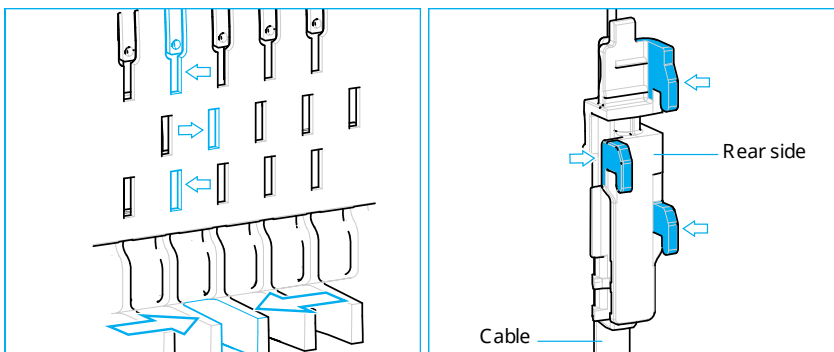
- 1 Slide the strength member connector onto the carrier until you hear a clicking sound.
- 2 Install the cable ties in the slots in the carrier, as shown. Make sure the teeth of the cable tie are facing upwards.
- 3 Slide the rigid strength member in the strength member connector between the metal spring and the housing of the strength member connector. Verify the strength member fits all the way to the end of the lug.

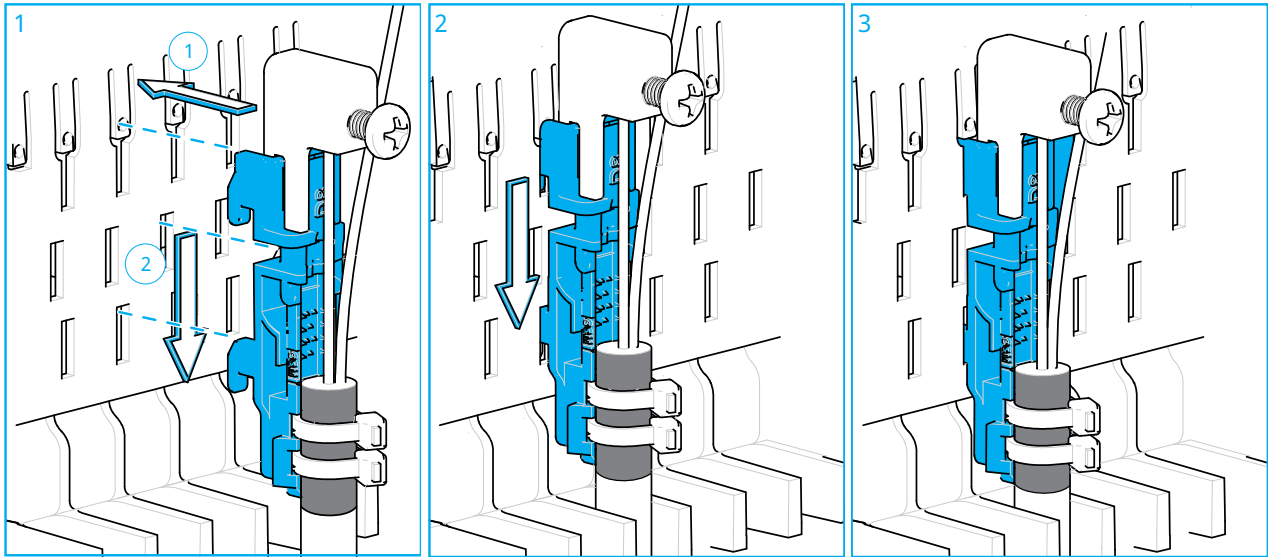


- 4 Secure the screw with a Phillips screw driver.
- 5 Tighten the two cable ties, make sure the cable tie head is positioned on top of the cable as shown in figure 5 above. A cable tie gun can be used. The recommended force is 85N. Cut off excess cable tie strap.

6 Install drop cable

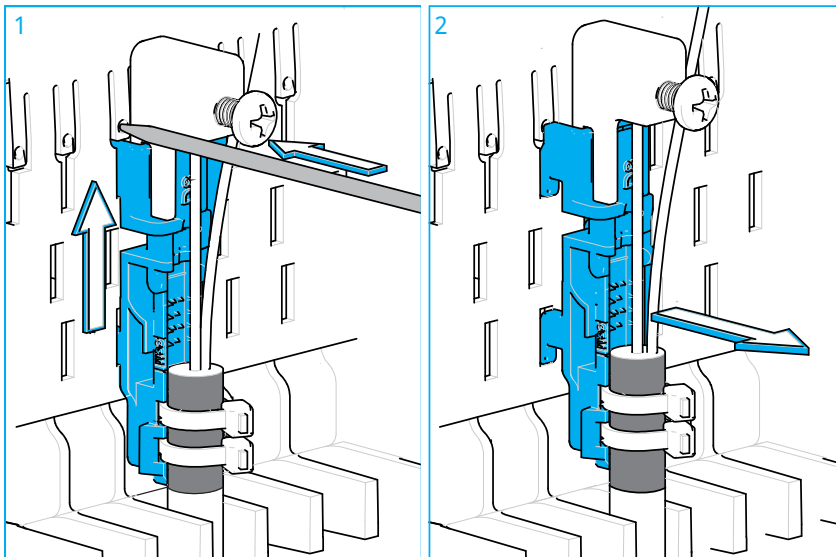
To secure the cable to the organizer, the three hooks on the rear side of the carrier should slide into the 3 slots on the interface plate on the organizer. The top left slot has a locking lip to keep the cable - carrier assembly in place.





- 1 Slide the carrier with the cable secured into the slots of the organizer. Push the locking lip in the first slot backwards.
- 2 Slide the carrier downwards.
- 3 The locking lip returns into its original position and the carrier is correctly seated. A clicking sound is observed.

7 Remove carrier



- 1 Position the fiber guidance pen in the little cavity in the locking lip of the first slot and push the locking lip backwards. When the lock is released, lift the carrier up.
- 2 Move the carrier with cable attached forward.