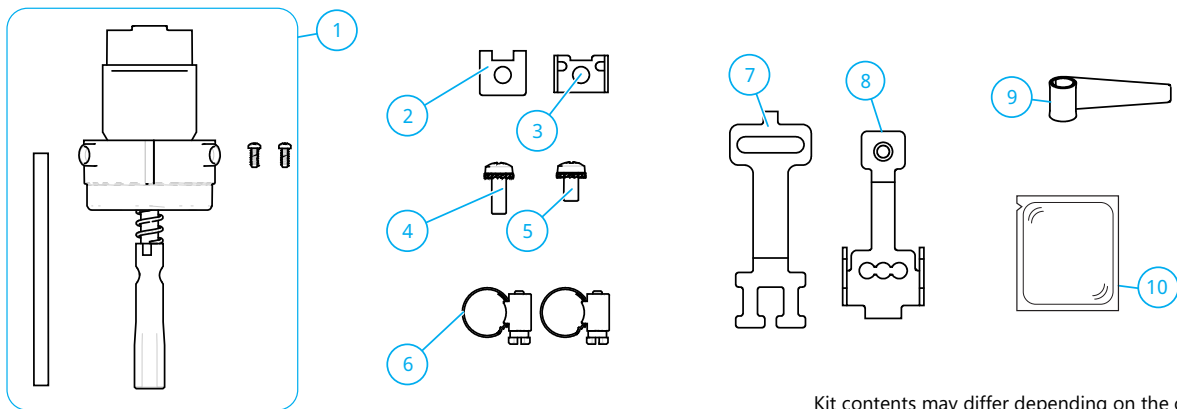


FIST RSKG 2

1 About this manual

This kit is used to install 2 drop cables of 8 to 11 mm diameter in a new unused round port of the FIST-GCO2-BX6 and BX8, the FIST-GC02-FX and the FIST-EDSA2.

2 Kit contents



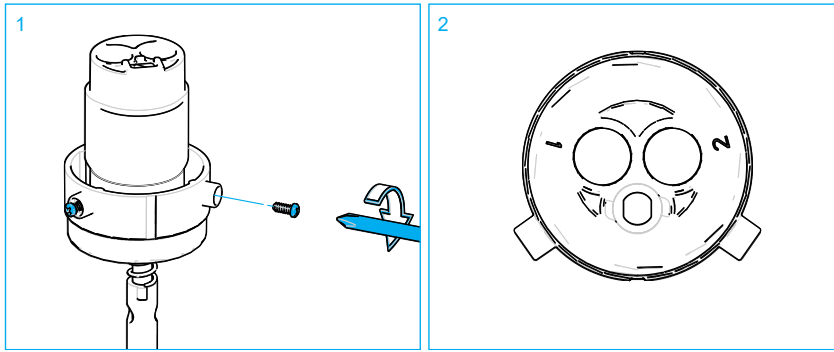
Kit contents may differ depending on the order.

N°	Part description	Qty FX	Qty BX6	Qty BX8	Qty EDSA2
1	FIST GCO2 RSKG-2 with securing screws and blind plug	1	1	1	1
2	Strmbr fixation cap double	1	1	1	1
3	Strmbr fixation base plate	1	1	1	1
4	Bolt with star washer M5x14	1	1	1	1
5	Bolt with star washer M5x10	1	-	1	1
6	Hose clamps	2	2	2	2
7	Cable term GC02 brkt 2 OUT	-	1	-	-
8	Cable term GC02-FX brkt 1/2 OUT	1	-	1	1
9	Felt tape	1	1	1	1
10	Lubrication oil	1	1	1	1


3 Cable diameter range gel seals

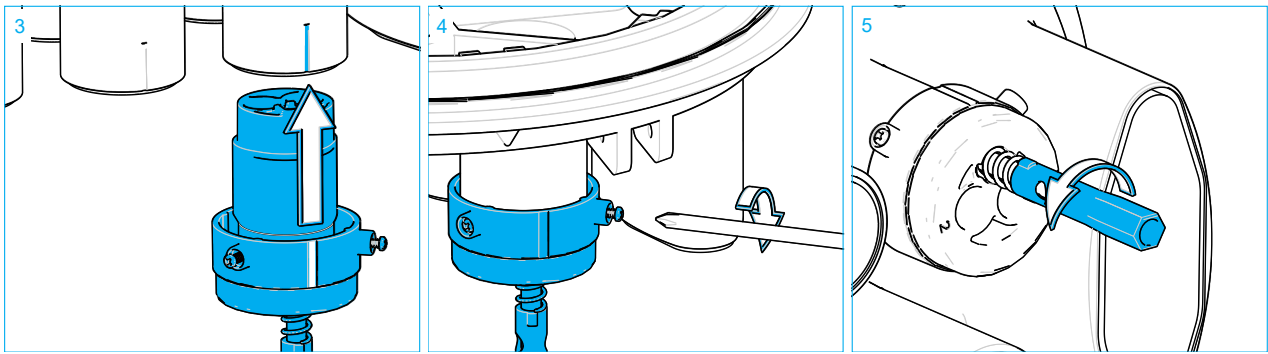
Number of ports	Cable diameter range (mm)	Number of ports	Cable diameter range (mm)
1	11 - 14	8	3 - 5
2	8 - 11	16	0 - 2.4 (up to 3 depending on the kit contents)
3	6.5 - 8	FOSC OSKG	6 - 15
4	4 - 7	FIST OSKG	5 - 18
4 FLAT	8 x 4,5 - 11 x 6,5	FIST OSKG 20	16 - 20

4 Install gel seal



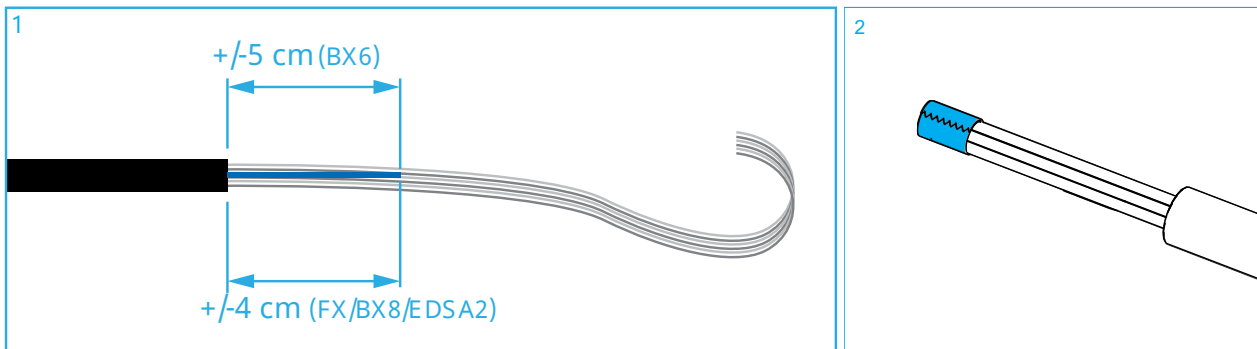
- 1 Before installing the gel seal in the port, install the 2 securing screws.
- 2 The first cable must be installed in the port position number 1. The next cable must follow the numbering.

 **Note:** The lubrication oil in the kit makes it easier to install gel seal in the closure ports.




- 3 Open the port. The cutting wire can be used. Make sure that the edges are free of burrs. Install the seal in the port, mark line always facing forward. The mark line on the gel seal should match with the mark line on the FIST-GCO2 drop port. (The mark at the FIST-GCO2- FX/EDSA2 should be hidden when the seal is installed).
- 4 Tighten the 2 screws and make sure they grip in the port.
- 5 Make sure the seal is decompressed before installing a cable.

5 Prepare cable



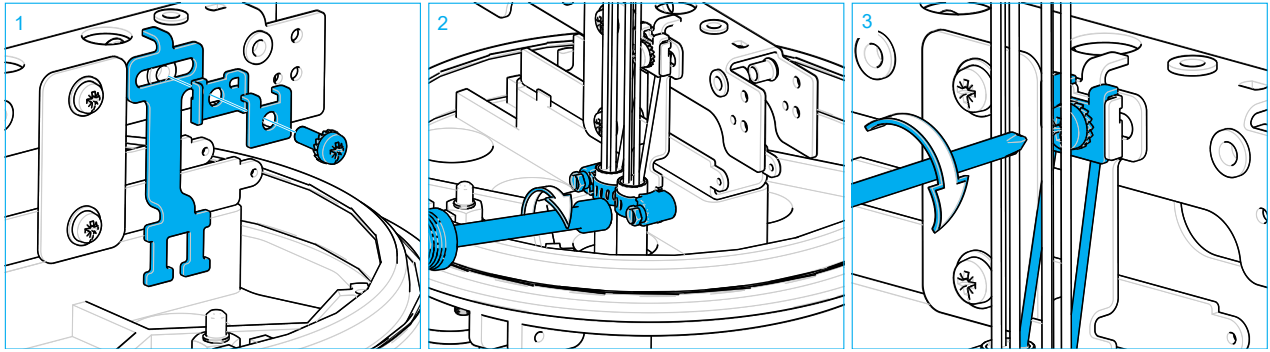
- 1 Prepare the cable as per standard practice. Cut the strength member at ± 5 cm (BX6) / ± 4 cm (FX/BX8/EDSA2) from the cable jacket.

 **Note:** The lubrication oil in the kit makes it easier to guide cables through ports in the gel seal.

- 2 Feed the cable through the gel seal. (Apply some tape at the end of the loose tubes to ensure easy feeding through the gel seal).

6 Install cable

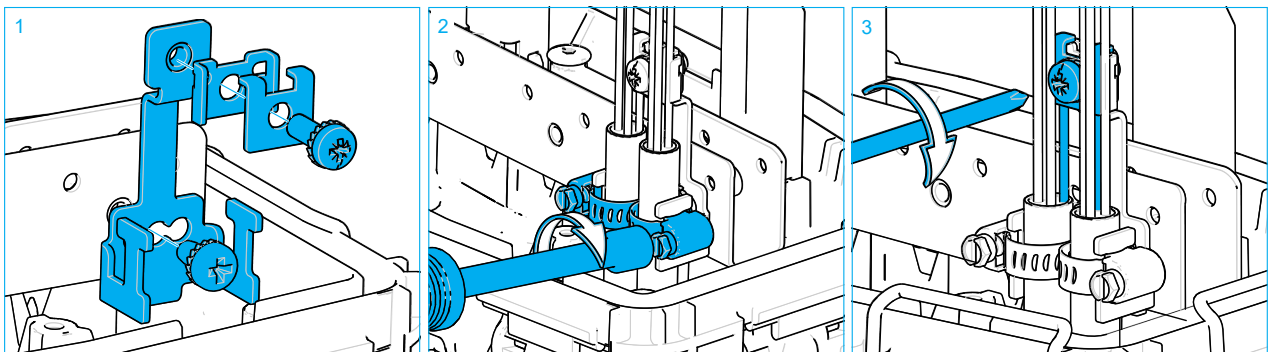
6.1 Install cable in BX6



- 1 Secure the metal bracket together with the 2 metal plates to the frame. Make sure that it is positioned at the center of the port. Do not tighten the screw completely.
- 2 Secure the cable jackets with the hose clamps at the T shape. Depending on the cable construction felt tape can be applied to protect the cable jacket, make sure the cable jacket is clean and oil free.
- 3 Secure the strength members between the 2 metal plates and tighten the screw. Route the loose tubes as per standard practice.

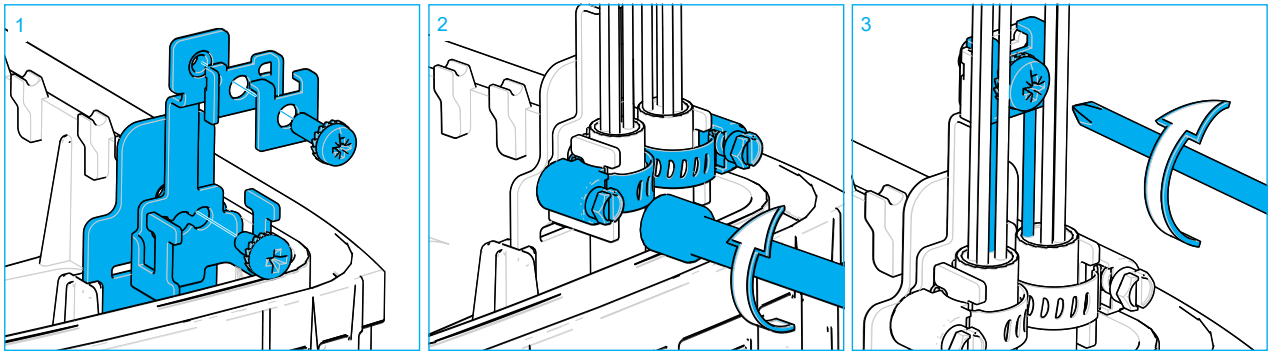
6.2 Install cable in BX8/FX

Start with ports 3 and 8.



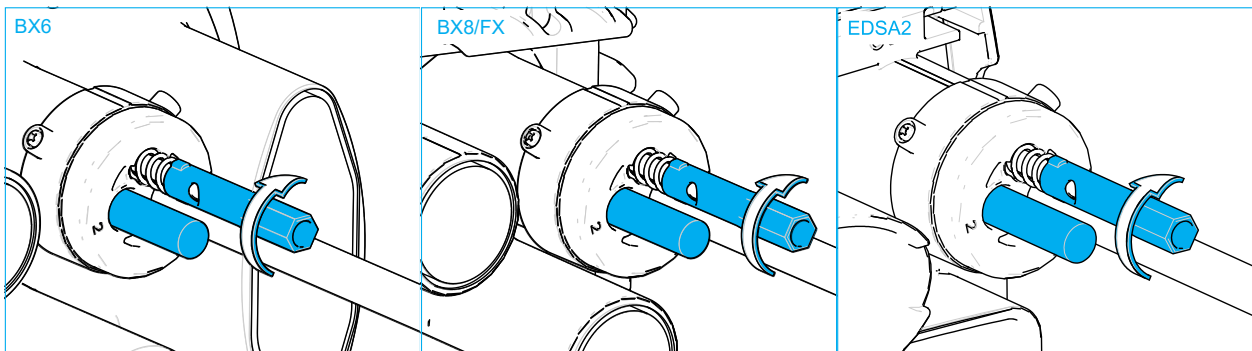
- 1 Secure the metal bracket to the frame (use the bottom hole in the frame and select the middle hole in the bracket) with the shortest screw (M5x10).
- 2 Secure the cable jackets with the hose clamps at the T shape. Depending on the cable construction felt tape can be applied to protect the cable jacket, make sure the cable jacket is clean and oil free.
- 3 Secure the strength members between the 2 metal plates and tighten the screw. Route the loose tubes as per standard practice.

6.3 Install cable in EDSA2




- 1 Secure the metal bracket to the frame with the shortest screw (M5x10). Use the right hand side hole in the bracket!
- 2 Secure the cable jackets with the hose clamps at the T shape. Depending on the cable construction felt tape can be applied to protect the cable jacket, make sure the cable jacket is clean and oil free.
- 3 Secure the strength members between the 2 metal plates and tighten the screw. Route the loose tubes as per standard practice. Recommended is to divide the fibers that are coming from the round port in separate slots in the tube holders.

6.4 Activate seal mechanism



- 1 Use the blind plug to fill up the unused hole if the two cables are not installed on the same day. Engage the seal mechanism by tightening the 'nut' of the central bolt assembly until the spring is no longer visible and the 'nut' is flush with the gland body.
- 2 To add a cable: release the trigger, remove the blind plug, prepare a new cable and continue with one of the previous sections above depending on the closure type.

 **Note:** Depending on outside conditions, some oil bleed-out may occur. This will not affect in any way the sealing performance.

7 OPTIONAL: Secure cable to the outside bracket

A cable securing frame is optional available for the FIST-GCO2-BX6, FIST-GC02-BX8 and the FIST-GC02-FX.