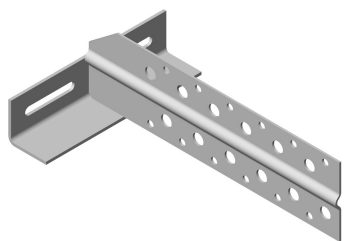


# TL-S06

---



Waveguide Stand-Off Bracket for 6 coaxial cable runs

## Product Classification

<b>Product Type</b>	Waveguide stand-off bracket
<b>Ordering Note</b>	ANDREW® non-standard product
<b>Warranty</b>	One year

## General Specifications

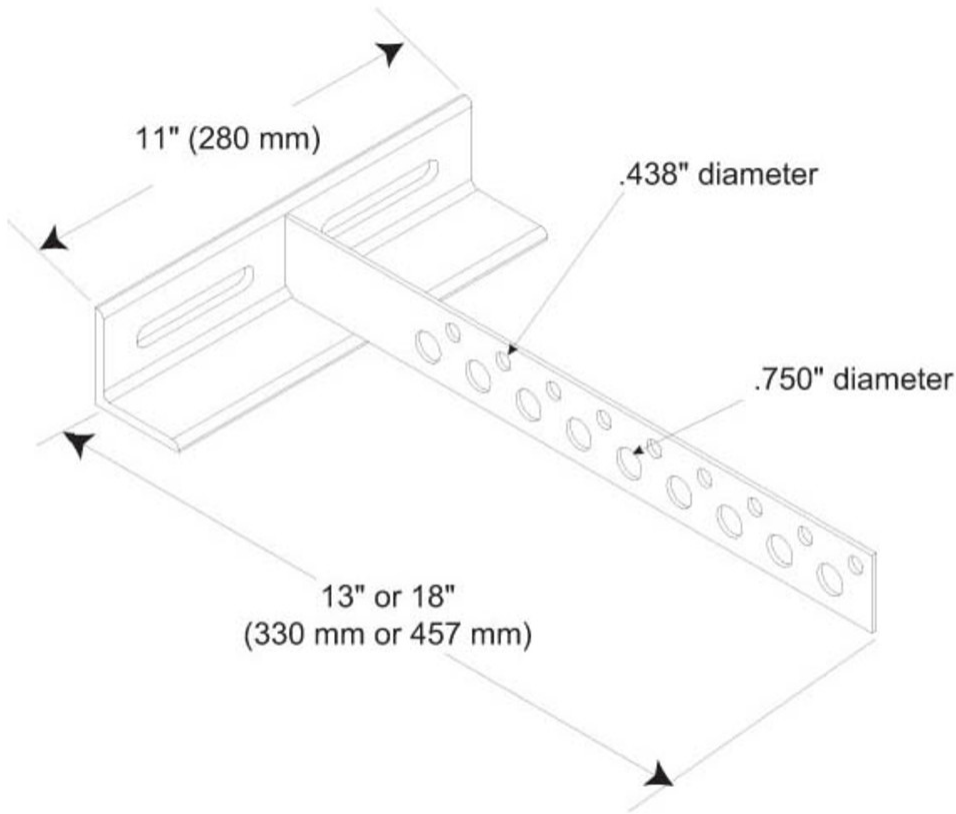
<b>Cable Runs, quantity</b>	6
<b>Mounting</b>	Leg gussets   Tower legs up to 114.3 mm (4-1/2 in) OD   Wall applications

## Dimensions

<b>Height</b>	101.6 mm   4 in
<b>Width</b>	330.2 mm   13 in
<b>Length</b>	279.4 mm   11 in

# TL-S06

## Outline Drawing



## Material Specifications

**Material Type** Hot dip galvanized steel

## Packaging and Weights

**Included** Brackets  
**Packaging quantity** 1  
**Weight, net** 1.9 kg | 4.189 lb

## Regulatory Compliance/Certifications

Agency	Classification
CHINA-ROHS	Below maximum concentration value
ISO 9001:2015	Designed, manufactured and/or distributed under this quality management system

# TL-S06

---

REACH-SVHC	Compliant as per SVHC revision on <a href="http://www.commscope.com/ProductCompliance">www.commscope.com/ProductCompliance</a>
ROHS	Compliant
UK-ROHS	Compliant



## \* Footnotes

### **Warranty**

For more information, please consult our Product Warranty guidelines