

TP-G412-126



Universal Tripod Mount, 4-1/2 in OD x 126 in pipe

Product Classification

Product Type	Tripod mount
Ordering Note	NSTD445 Compliant

General Specifications

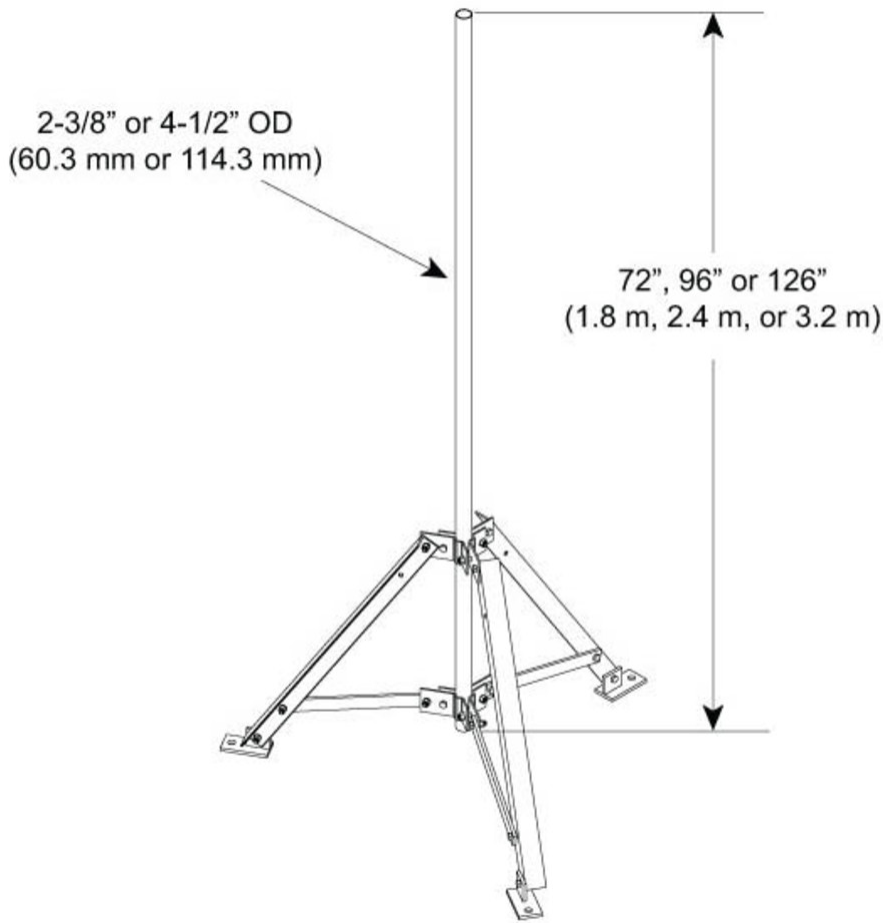
Mounting	Surfaces
Note	One 6 ft microwave antenna using 4-1/2 in pipe mast
Pipe, quantity	1

Dimensions

Height	3,200.4 mm 126 in
Width	1524 mm 60 in
Length	1.524 m 5 ft
Pipe Length	3,200.4 mm 126 in
Pipe Outer Diameter	114.3 mm 4.5 in

TP-G412-126

Outline Drawing



Material Specifications

Material Type Hot dip galvanized steel

Mechanical Specifications

Wind Rating 85 mph (BWS) at 100 ft AGL using Exposure C per UBC

Wind Rating Test Method TIA/EIA-222

Packaging and Weights

Included Mount, with or without pipe

Packaging quantity 1

TP-G412-126

Weight, net 130.1 kg | 286.821 lb

Regulatory Compliance/Certifications

Agency	Classification
ISO 9001:2015	Designed, manufactured and/or distributed under this quality management system

Included Products

- MT-539 - Plain End Pipe, 4-1/2 in OD x 126 in x .188" A500C 46Ksi
- TP-G412-B - Universal Tripod Mount, base only, pipe not included

* Footnotes

Wind Rating BWS—Base Wind Speed; FBC—Florida Building Code

MT-539



Plain End Pipe, 4-1/2 in OD x 126 in x .188" A500C 46Ksi

Product Classification

Product Type Plain end pipe

General Specifications

Pipe, quantity 1

Dimensions

Height 114.3 mm | 4.5 in

Width 114.3 mm | 4.5 in

Length 3,200.4 mm | 126 in

Pipe Length 3,200.4 mm | 126 in

Pipe Outer Diameter 114.3 mm | 4.5 in

Material Thickness 4.775 mm | 0.188 in

Material Specifications

Material Type A500 | Hot dip galvanized steel

Material Grade C

Material Strength 46 KSI

Packaging and Weights

Included Pipe

Packaging quantity 1

Weight, net 41 kg | 90.389 lb

Regulatory Compliance/Certifications

Agency	Classification
CHINA-ROHS	Above maximum concentration value
ISO 9001:2015	Designed, manufactured and/or distributed under this quality management system

MT-539

ROHS	Compliant/Exempted
UK-ROHS	Compliant/Exempted



TP-G412-B



Universal Tripod Mount, base only, pipe not included

Product Classification

Product Type Tripod mount

General Specifications

Mounting Surfaces

Note One 6 ft microwave antenna using 4-1/2 in pipe mast

Pipe, quantity 0

Dimensions

Height 838.2 mm | 33 in

Width 1524 mm | 60 in

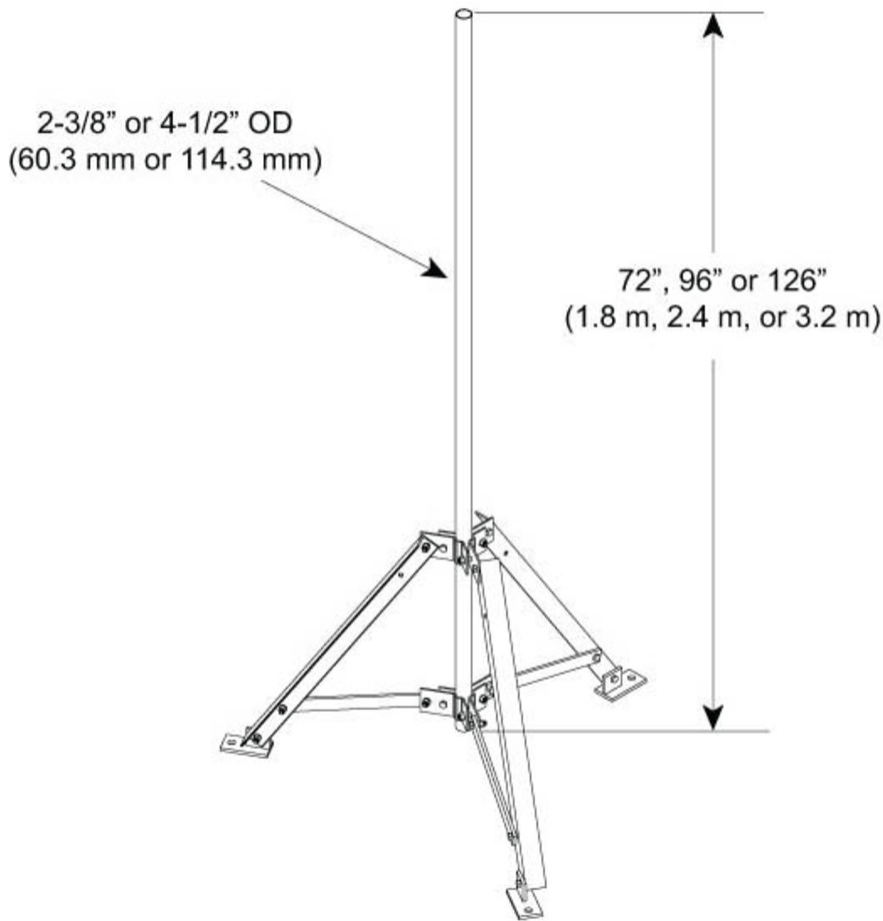
Length 1.524 m | 5 ft

Pipe Length 0 mm | 0 in

Pipe Outer Diameter 114.3 mm | 4.5 in

TP-G412-B

Outline Drawing



Material Specifications

Material Type Hot dip galvanized steel

Mechanical Specifications

Wind Rating 85 mph (BWS) at 100 ft AGL using Exposure C per UBC

Wind Rating Test Method TIA/EIA-222

Packaging and Weights

Included Mount, with or without pipe

Packaging quantity 1

TP-G412-B

Weight, net 78.7 kg | 173.504 lb

Regulatory Compliance/Certifications

Agency	Classification
ISO 9001:2015	Designed, manufactured and/or distributed under this quality management system

* Footnotes

Wind Rating BWS—Base Wind Speed; FBC—Florida Building Code