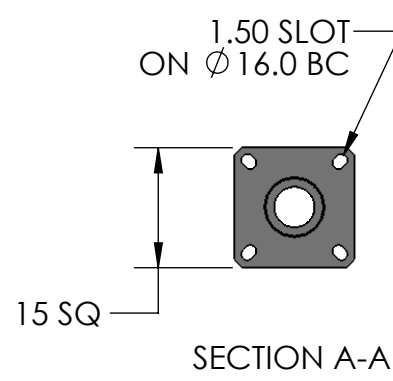
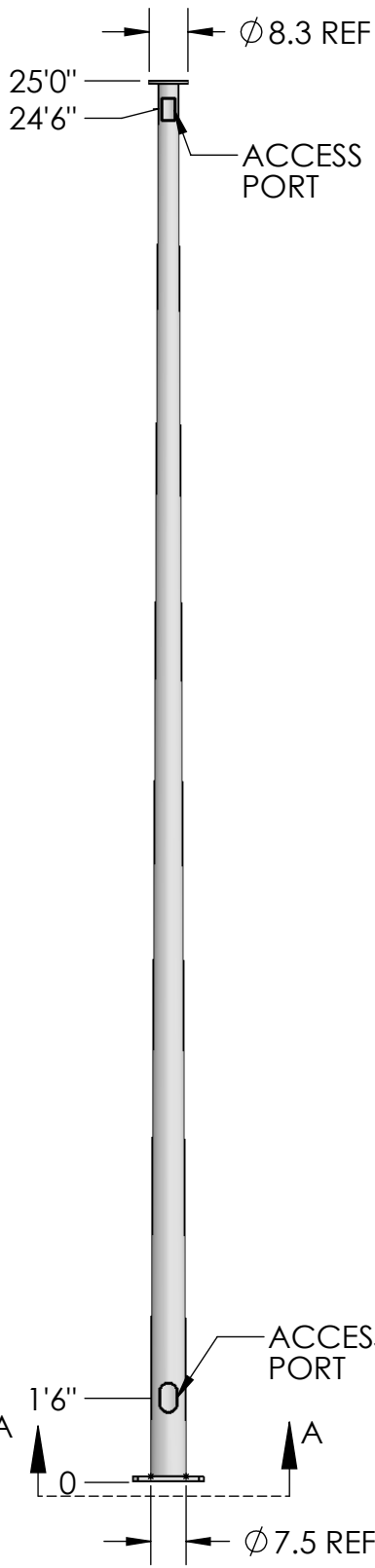


REVISIONS			
REV.	DESCRIPTION	BY	DATE
A	DRAWING RELEASE	MJP	04/15/2021



These drawings and specifications are the proprietary property of CommScope Inc. and may be used only for the specific purpose authorized in writing by CommScope Inc.

ALL DIMENSIONS ARE IN INCHES U.O.S. TOLERANCES UNLESS OTHERWISE SPECIFIED:  
 .X =  $\pm .12$  ANGLES  $\pm 2^\circ$   
 .XX =  $\pm .06$  FRACTIONS  $\pm 1/32$   
 .XXX =  $\pm .031$

REMOVE BURRS AND BREAK EDGES .005  
 DO NOT SCALE THIS PRINT

DRAWN BY: MJP	SHEET: 1 of 1	PART NUMBER: 860648037-Y25 CUT SHEET
CHECKED BY:	SCALE:	DESCRIPTION: METRO CELL, TAPERED POLE SOLUTION
DATE:	MATERIAL:	DRAWING TYPE:
REVISION: A	FINISH:	
	WEIGHT:	

860648037-Y25 CUT SHEET  
 METRO CELL, TAPERED POLE SOLUTION