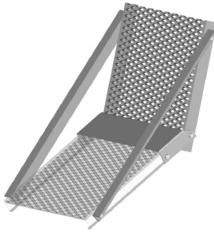


WB-EXT



Extension Kit, safety grating

Product Classification

Product Type Waveguide bridge kit

General Specifications

Application Waveguide bridge kit, 24 in

Mounting Pipe, 88.9 mm (3-1/2 in) OD

Dimensions

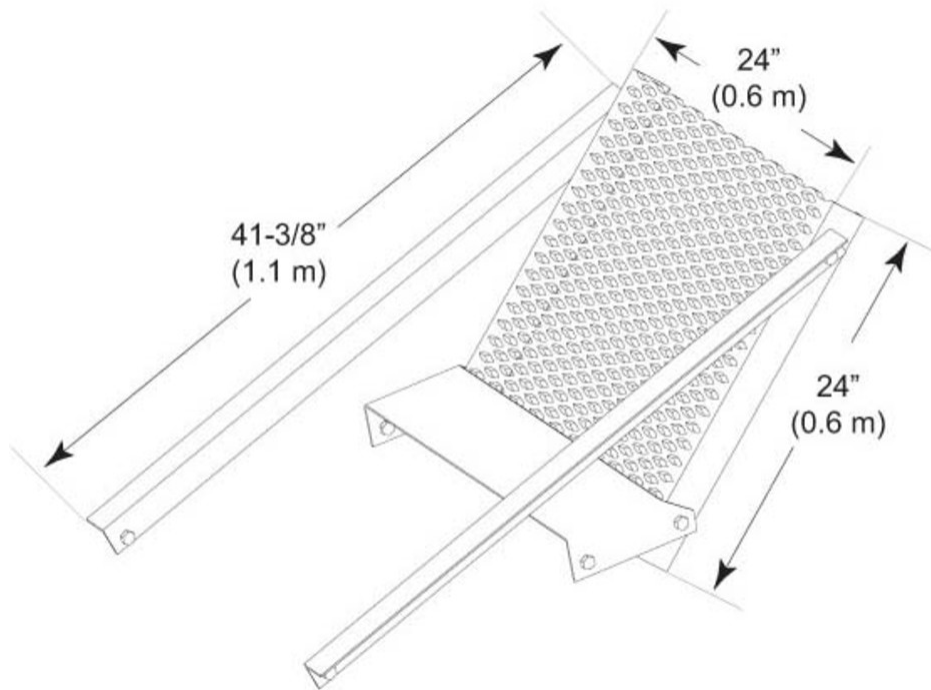
Height 101.6 mm | 4 in

Width 609.6 mm | 24 in

Length 609.6 mm | 24 in

WB-EXT

Outline Drawing



Material Specifications

Material Type Hot dip galvanized steel

Packaging and Weights

Included Channel support bracket | Hardware

Packaging quantity 1

Weight, net 34.5 kg | 76.059 lb

Regulatory Compliance/Certifications

Agency	Classification
CHINA-ROHS	Below maximum concentration value
ISO 9001:2015	Designed, manufactured and/or distributed under this quality management system
ROHS	Compliant
UK-ROHS	Compliant

