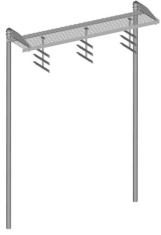


WB-K210-B21



Safety Grated Waveguide Bridge Kit, 24 in x 10 ft, with two 21 ft direct burial posts

Product Classification

Product Type Waveguide bridge kit

General Specifications

Application Direct burial

Cable Runs, quantity 24

Pipe, quantity 2

Dimensions

Height 6,400.8 mm | 252 in

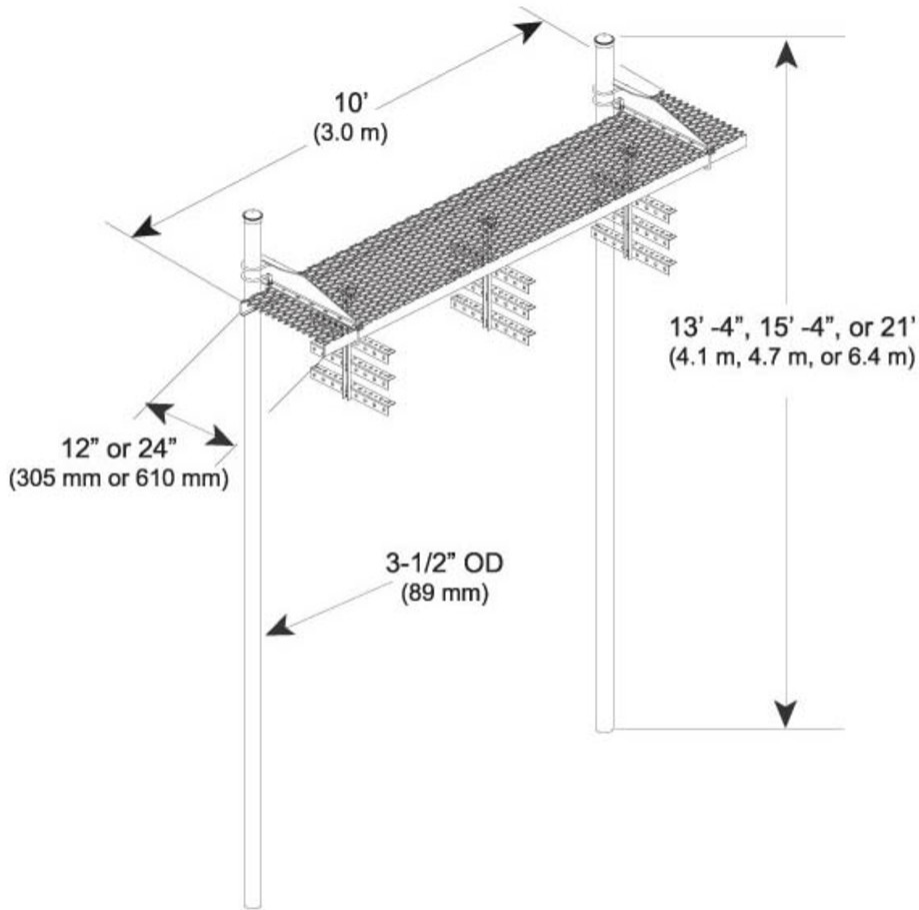
Width 609.6 mm | 24 in

Length 3048 mm | 120 in

Pipe Length 6,400.8 mm | 252 in

WB-K210-B21

Outline Drawing



Material Specifications

Material Type Hot dip galvanized steel

Packaging and Weights

Included Caps | Channel | Hardware | Posts | Support brackets | Trapeze

Packaging quantity 1

Weight, net 174.6 kg | 384.927 lb

Regulatory Compliance/Certifications

Agency **Classification**

WB-K210-B21

| | |
|---------------|--|
| CHINA-ROHS | Above maximum concentration value |
| ISO 9001:2015 | Designed, manufactured and/or distributed under this quality management system |
| ROHS | Compliant/Exempted |
| UK-ROHS | Compliant/Exempted |



Included Products

- | | |
|-----------|---|
| MT-547 | - Plain End Pipe, 3-1/2 in OD x 21 ft x .165" A500C 46Ksi |
| WB-CY210 | - Safety Grated Waveguide Bridge Channel, 24 in x 10 ft |
| WB-LB24-3 | - Waveguide Bridge Support Bracket, 24 in wide for 3-1/2 in OD legs |
| WB-T24-3 | - Trapeze Kit, triple tee, 24 in wide, three rungs |

MT-547



Plain End Pipe, 3-1/2 in OD x 21 ft x .165" A500C 46Ksi

Product Classification

Product Type Plain end pipe

General Specifications

Pipe, quantity 1

Dimensions

Height 88.9 mm | 3.5 in

Width 88.9 mm | 3.5 in

Length 6,400.8 mm | 252 in

Pipe Length 6,400.8 mm | 252 in

Pipe Outer Diameter 88.9 mm | 3.5 in

Material Thickness 4.191 mm | 0.165 in

Material Specifications

Material Type A500 | Hot dip galvanized steel

Material Grade C

Material Strength 46 KSI

Packaging and Weights

Included Pipe

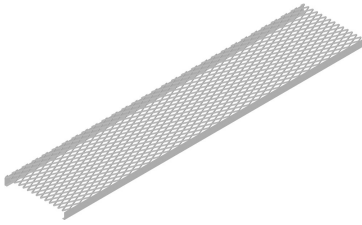
Packaging quantity 1

Weight, net 55 kg | 121.254 lb

Regulatory Compliance/Certifications

| Agency | Classification |
|---------------|--|
| ISO 9001:2015 | Designed, manufactured and/or distributed under this quality management system |

WB-CY210



Safety Grated Waveguide Bridge Channel, 24 in x 10 ft

Product Classification

Product Type Waveguide bridge channel

General Specifications

Application Waveguide bridge kit, 24 in

Dimensions

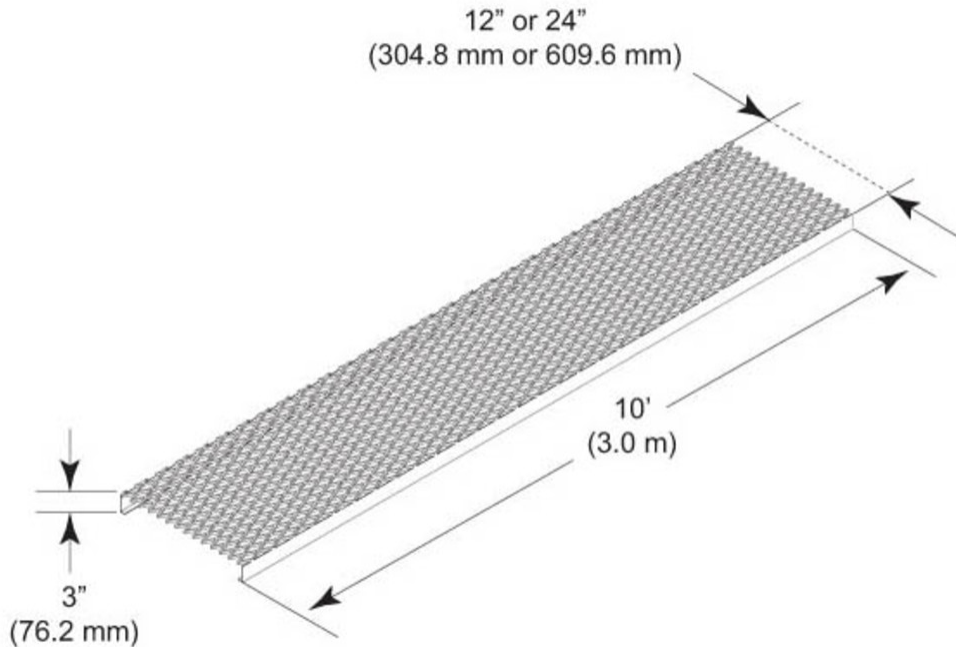
Height 76.2 mm | 3 in

Width 609.6 mm | 24 in

Length 3048 mm | 120 in

WB-CY210

Outline Drawing



Material Specifications

Material Type Hot dip galvanized steel

Packaging and Weights

Included Bridge channel

Packaging quantity 1

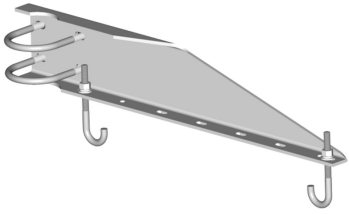
Weight, net 50.4 kg | 111.113 lb

Regulatory Compliance/Certifications

| Agency | Classification |
|---------------|--|
| CHINA-ROHS | Above maximum concentration value |
| ISO 9001:2015 | Designed, manufactured and/or distributed under this quality management system |
| ROHS | Compliant/Exempted |
| UK-ROHS | Compliant/Exempted |



WB-LB24-3



Waveguide Bridge Support Bracket, 24 in wide for 3-1/2 in OD legs

Product Classification

Product Type Support bracket

General Specifications

Application Waveguide bridge kit, 24 in

Cable Runs, quantity 24

Mounting Pipe, 88.9 mm (3-1/2 in) OD

Dimensions

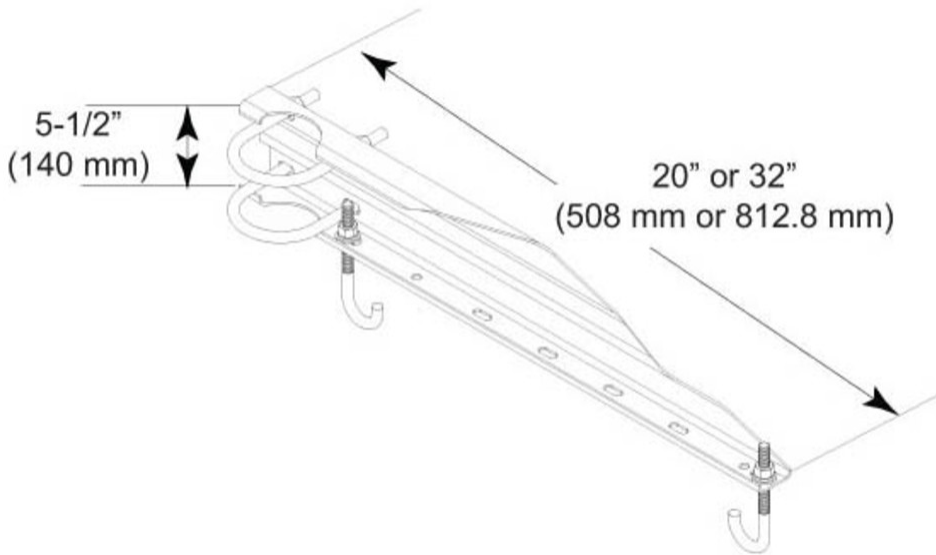
Height 50.8 mm | 2 in

Width 812.8 mm | 32 in

Length 152.4 mm | 6 in

WB-LB24-3

Outline Drawing



Material Specifications

Material Type Hot dip galvanized steel

Packaging and Weights

Included Brackets | Hardware

Packaging quantity 1

Weight, net 7.3 kg | 16.094 lb

Regulatory Compliance/Certifications

Agency

CHINA-ROHS

ISO 9001:2015

ROHS

UK-ROHS

Classification

Above maximum concentration value

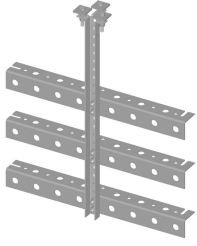
Designed, manufactured and/or distributed under this quality management system

Compliant/Exempted

Compliant/Exempted



WB-T24-3



Trapeze Kit, triple tee, 24 in wide, three rungs

Product Classification

Product Type Trapeze kit

General Specifications

Application Waveguide bridge kit, 24 in

Cable Runs, quantity 24

Hole, quantity 24

Mounting Waveguide bridge channel

Rungs, quantity 3

Dimensions

Height 76.2 mm | 3 in

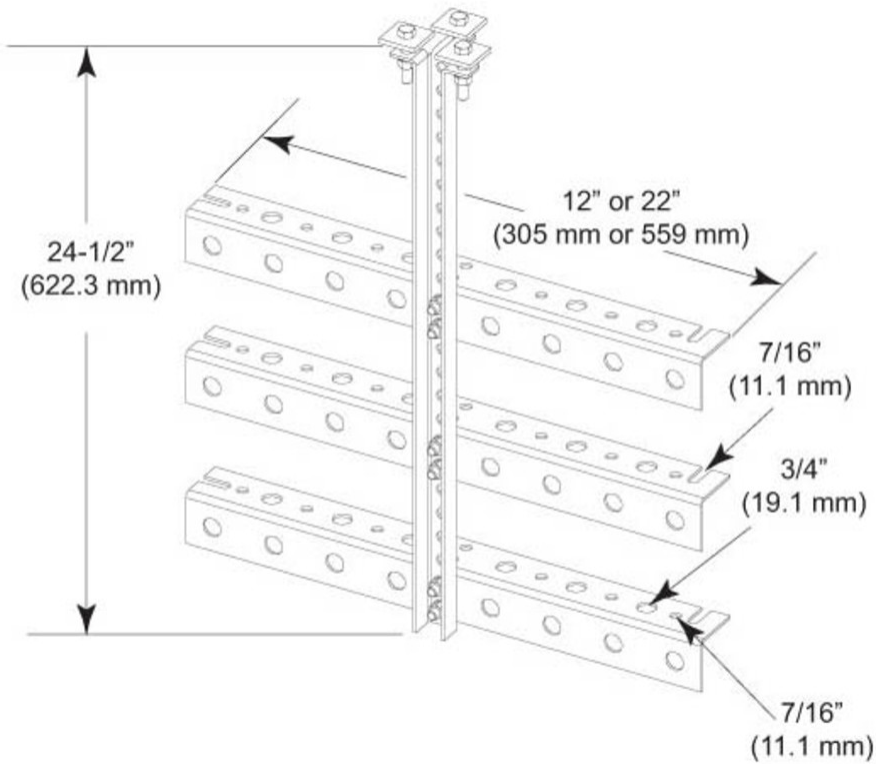
Width 609.6 mm | 24 in

Length 635 mm | 25 in

Hole Size 3/4 in | 7/16 in

WB-T24-3

Outline Drawing



Material Specifications

Material Type Hot dip galvanized steel

Packaging and Weights

Included Angle brackets | Mounting hardware

Packaging quantity 1

Weight, net 5.9 kg | 13.007 lb

Regulatory Compliance/Certifications

Agency

ISO 9001:2015

Classification

Designed, manufactured and/or distributed under this quality management system