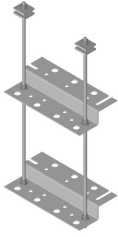


# WB-TK12D

---



Trapeze Kit, 12 in wide, two rungs

## Product Classification

**Product Type** Trapeze kit

## General Specifications

**Application** Waveguide bridge kit, 12 in

**Cable Runs, quantity** 14

**Hole, quantity** 14

**Mounting** Waveguide bridge channel

**Rungs, quantity** 2

## Dimensions

**Height** 101.6 mm | 4 in

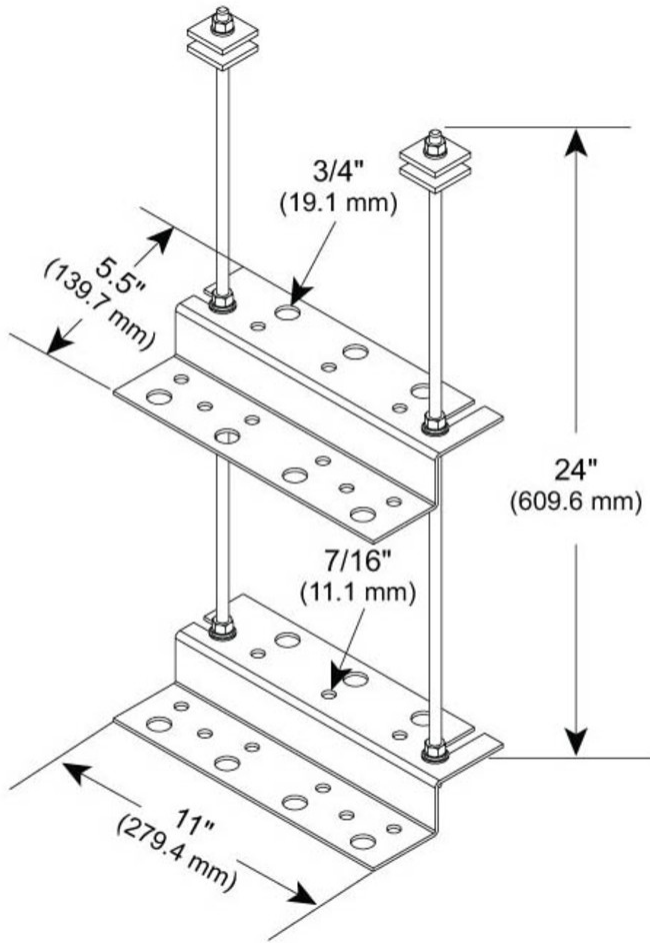
**Width** 304.8 mm | 12 in

**Length** 152.4 mm | 6 in

**Hole Size** 3/4 in | 7/16 in

# WB-TK12D

## Outline Drawing



## Material Specifications

**Material Type** Hot dip galvanized steel

## Packaging and Weights

**Included** Hardware | Threaded rod | Z-bracket

**Packaging quantity** 1

**Weight, net** 3.2 kg | 7.055 lb

## Regulatory Compliance/Certifications

**Agency** **Classification**

# WB-TK12D

---

CHINA-ROHS	Above maximum concentration value
ISO 9001:2015	Designed, manufactured and/or distributed under this quality management system
ROHS	Compliant/Exempted
UK-ROHS	Compliant/Exempted

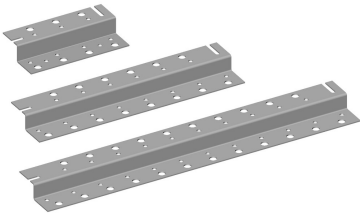


## Included Products

- ZB-H4 – Horizontal Z-bracket, 11 in, for seven coaxial cable runs

# ZB-H4

---



Horizontal Z-bracket, 11 in, for seven coaxial cable runs

## Product Classification

<b>Portfolio</b>	CommScope®
<b>Product Type</b>	Bracket kit
<b>Ordering Note</b>	CommScope® standard product (Global)

## General Specifications

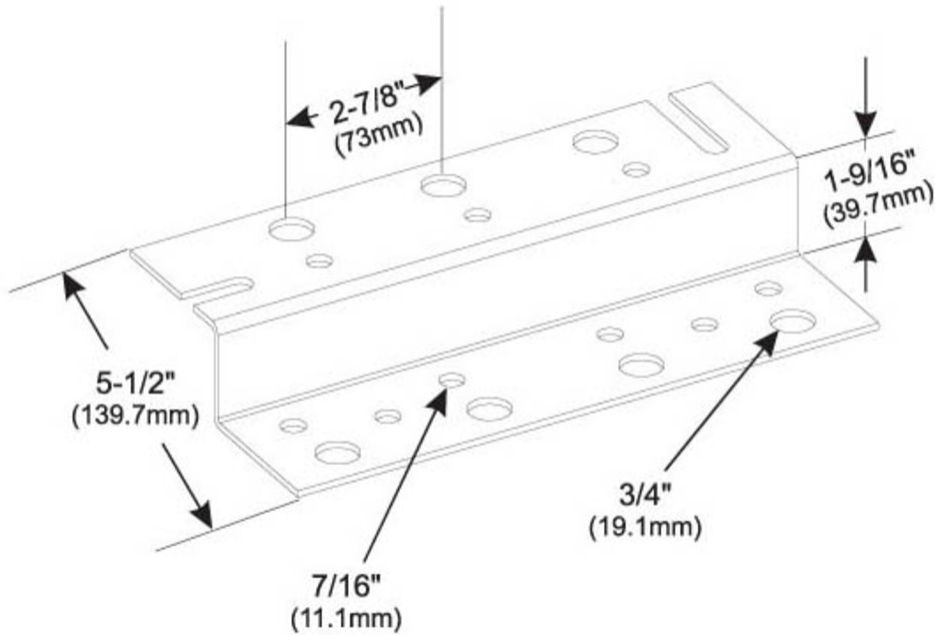
<b>Cable Runs, quantity</b>	7
<b>Hole, quantity</b>	7
<b>Mounting</b>	Walls

## Dimensions

<b>Height</b>	50.8 mm   2 in
<b>Width</b>	152.4 mm   6 in
<b>Length</b>	279.4 mm   11 in
<b>Hole Size</b>	3/4 in   7/16 in

# ZB-H4

## Outline Drawing



## Material Specifications

**Material Type** Hot dip galvanized steel

## Mechanical Specifications

**Wind Rating** For Specifications, please contact [steelproducts@commscope.com](mailto:steelproducts@commscope.com) or call 800-255-1479

## Packaging and Weights

**Included** Z-bracket

**Packaging quantity** 1

**Weight, net** 1.2 kg | 2.646 lb

## Regulatory Compliance/Certifications

Agency	Classification
CHINA-ROHS	Above maximum concentration value
ISO 9001:2015	Designed, manufactured and/or distributed under this quality management system
ROHS	Compliant/Exempted
UK-ROHS	Compliant/Exempted

# ZB-H4

---



## \* Footnotes

### **Wind Rating**

BWS—Base Wind Speed; FBC—Florida Building Code