

# WP-197

---



## Work Platform for Single Pipe Support Arm

### Product Classification

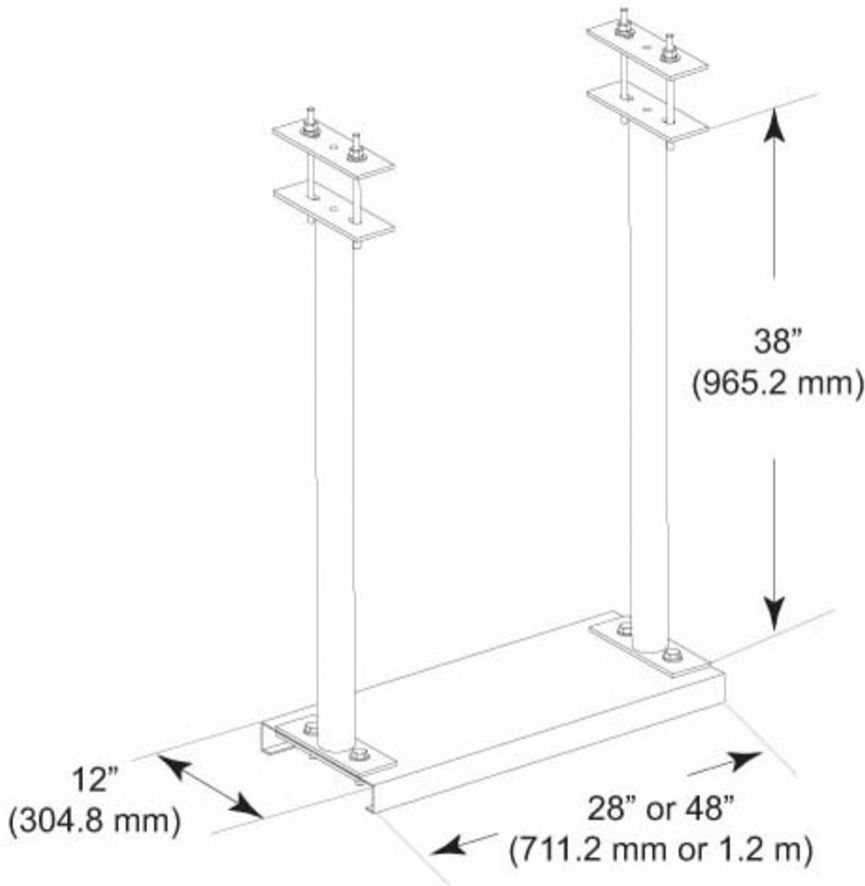
**Product Type** Work platforms for support arm

### Dimensions

- Height** 990.6 mm | 39 in
- Platform Width** 304.8 mm | 12 in
- Width** 762 mm | 30 in
- Length** 304.8 mm | 12 in

# WP-197

## Outline Drawing



## Material Specifications

**Material Type** Hot dip galvanized steel

## Packaging and Weights

**Included** Clamps | Grating | Hardware

**Packaging quantity** 1

**Weight, net** 37.1 kg | 81.791 lb

## Regulatory Compliance/Certifications

**Agency** **Classification**

# WP-197

---

ISO 9001:2015

Designed, manufactured and/or distributed under this quality management system

