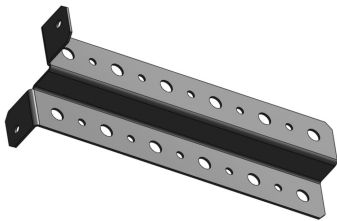


ZB-V12



Vertical Z-bracket, 4.3 in, for 12 coaxial cable runs

Product Classification

Product Type Z-Bracket

General Specifications

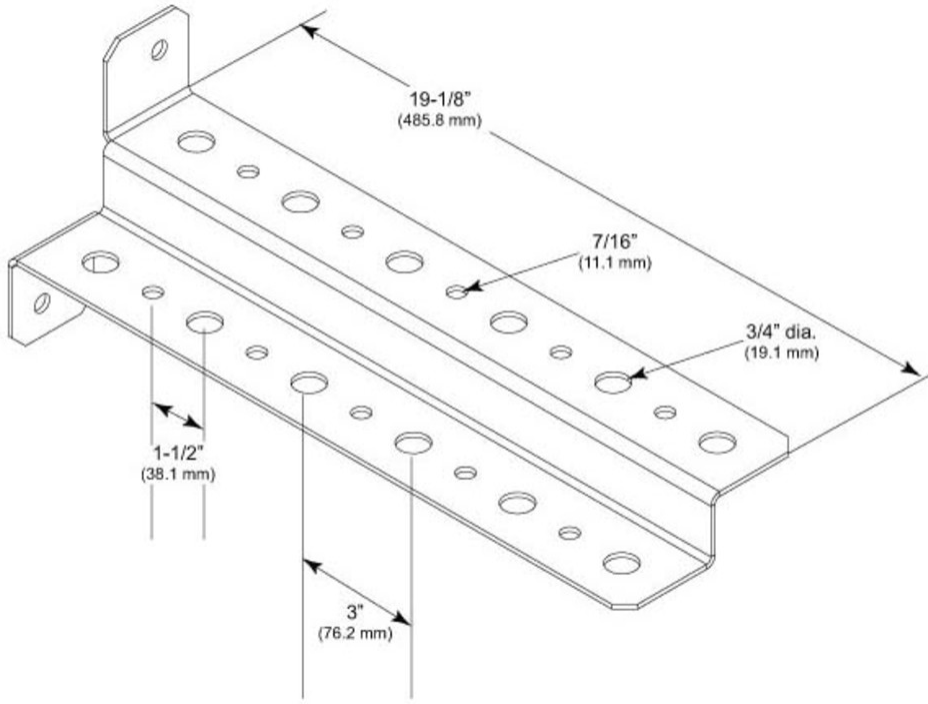
Application Waveguide bridge kit, 12 in | Waveguide bridge kit, 24 in
Cable Runs, quantity 12
Hole, quantity 12
Mounting Waveguide bridge channel or surface

Dimensions

Height 109.22 mm | 4.3 in
Width 109.22 mm | 4.3 in
Length 485.14 mm | 19.1 in
Hole Size 3/4 in | 7/16 in

ZB-V12

Outline Drawing



Material Specifications

Material Type Hot dip galvanized steel

Packaging and Weights

Included Brackets
Packaging quantity 1
Weight, net 1.8 kg | 3.968 lb

Regulatory Compliance/Certifications

Agency ISO 9001:2015
Classification Designed, manufactured and/or distributed under this quality management system