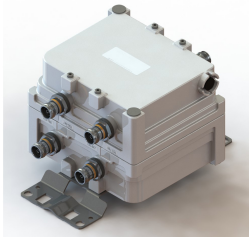


E14F06P54



Twin Diplexer, 703-788 MHz/796-847 MHz, DC SMART bypass, with 4.3-10 connectors

- New 4.3-10 connectors for improved PIM performance and size reduction
- Minimal Insertion Loss
- DC/AISG SMART bypass functionality

Product Classification

Product Type Diplexer

General Specifications

Color Gray

Modularity 2-Twin

Mounting Pole | Wall

Mounting Pipe Hardware Band clamps (2)

RF Connector Interface 4.3-10 Female

RF Connector Interface Body Style Long neck

Dimensions

Height 138 mm | 5.433 in

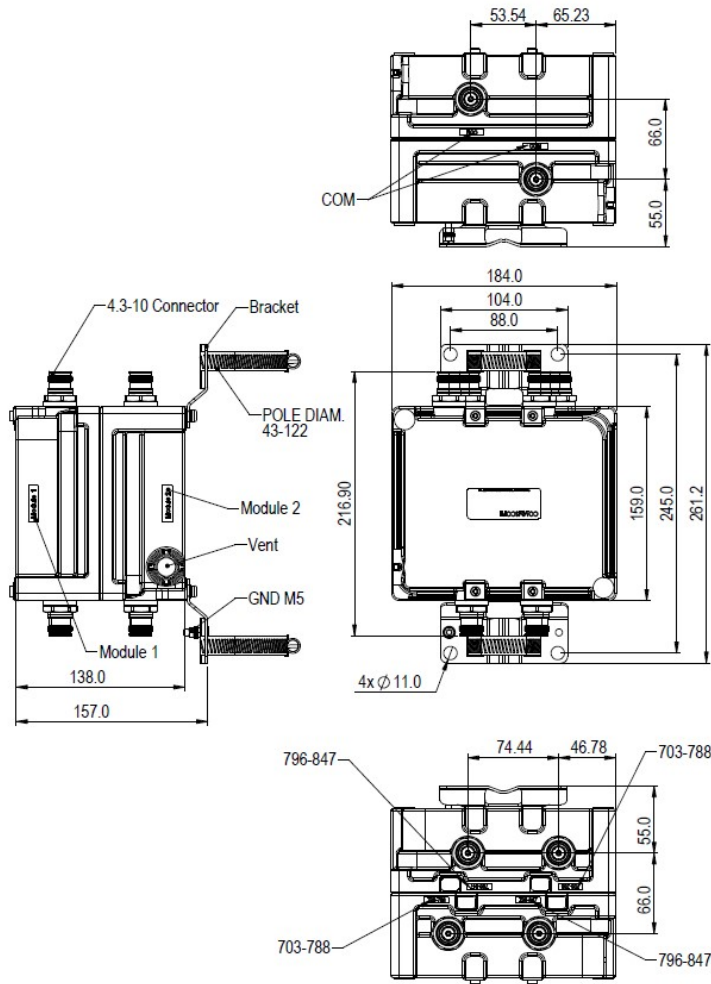
Width 184 mm | 7.244 in

Depth 159 mm | 6.26 in

Mounting Pipe Diameter Range 43–122 mm

Outline Drawing

E14F06P54



Electrical Specifications

Impedance 50 ohm

Electrical Specifications, dc Power/Alarm

dc/AISG Pass-through Method Auto sensing
dc/AISG Pass-through, combiner dc Smart Bypass
dc/AISG Pass-through, demultiplexer dc Smart Bypass
Lightning Surge Current 10 kA
Lightning Surge Current Waveform 8/20 waveform

Electrical Specifications, AISG

AISG Carrier 2176 KHz \pm 100 ppm

E14F06P54

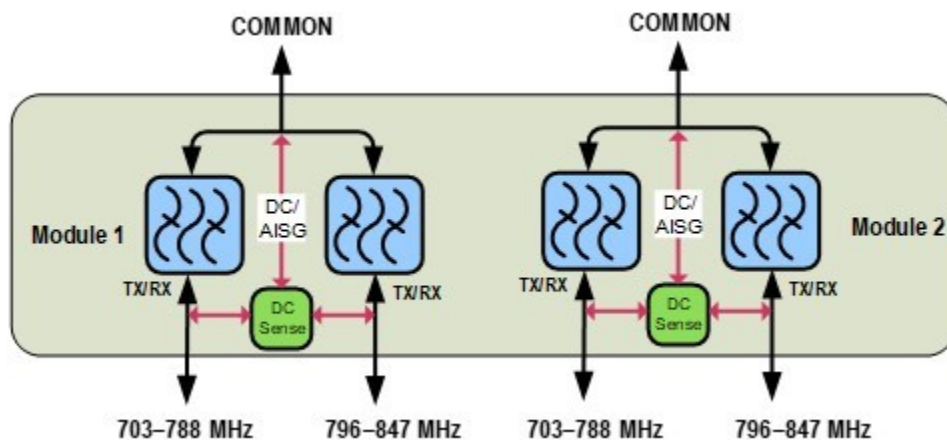
Electrical Specifications

Sub-module	1 2	1 2
Branch	1	2
Port Designation	PORT 1 703-788	PORT 2 796-847

Electrical Specifications, Band Pass

Frequency Range, MHz	703–788	796–847
Insertion Loss, typical, dB	0.2	0.3
Return Loss, typical, dB	20	20
Isolation, typical, dB	38	38
Input Power, RMS, maximum, W	200	200
Input Power, PEP, maximum, W	1000	1000
3rd Order PIM, typical, dBc	-162	-162
3rd Order PIM Test Method	2 x 20 W CW tones	2 x 20 W CW tones

Block Diagram



Environmental Specifications

Operating Temperature	-40 °C to +65 °C (-40 °F to +149 °F)
Relative Humidity	5%–100%
Corrosion Test Method	IEC 60068-2-11, 30 days
Environmental Test Method	ETSI EN 300 019-1-4
Ingress Protection Test Method	IEC 60529:2001, IP67

E14F06P54

Packaging and Weights

Included	Mounting hardware
Volume	4 L
Weight, with mounting hardware	4.3 kg 9.48 lb
Weight, without mounting hardware	4.1 kg 9.039 lb

Regulatory Compliance/Certifications

Agency

ISO 9001:2015



Classification

Designed, manufactured and/or distributed under this quality management system