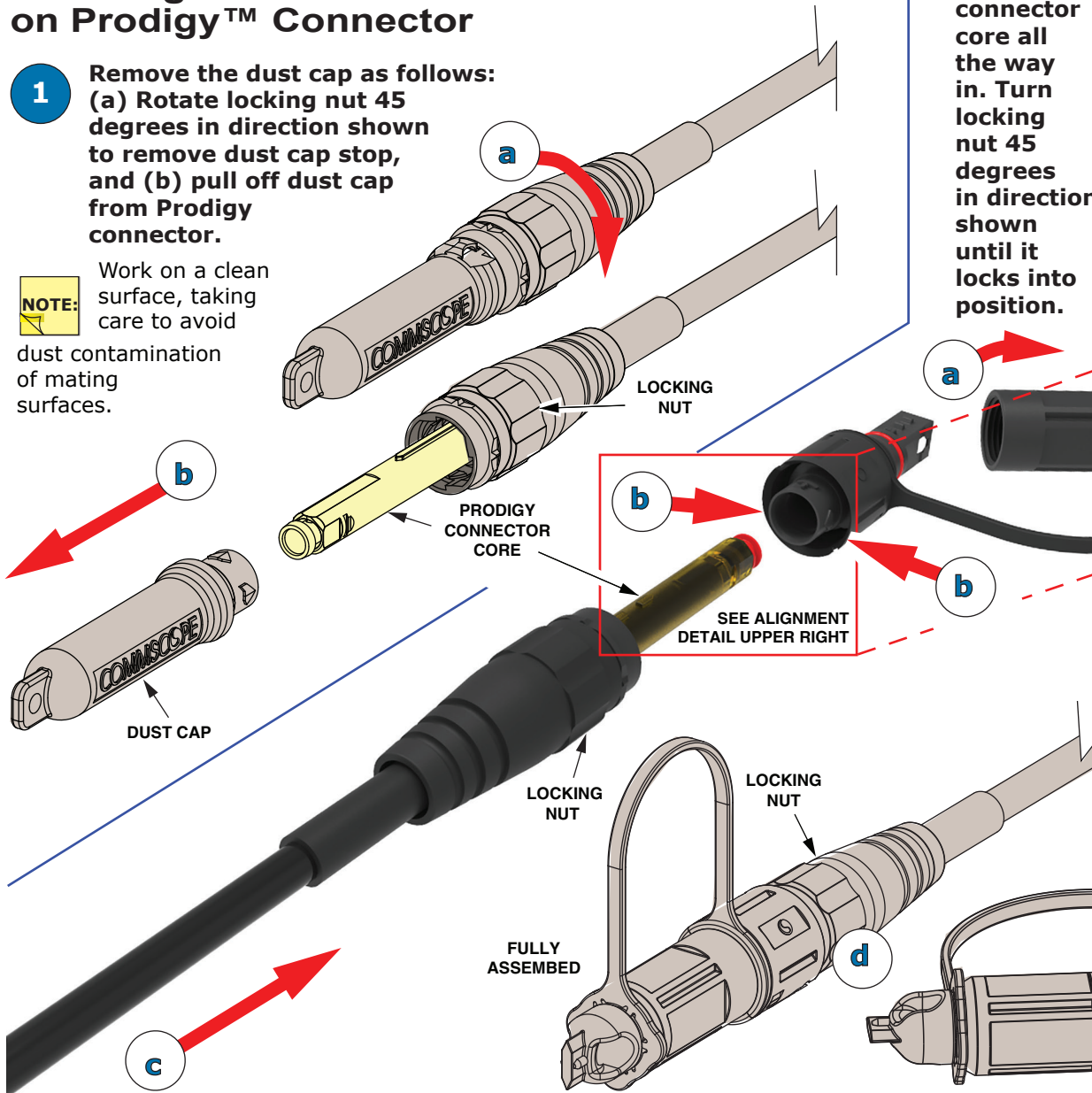




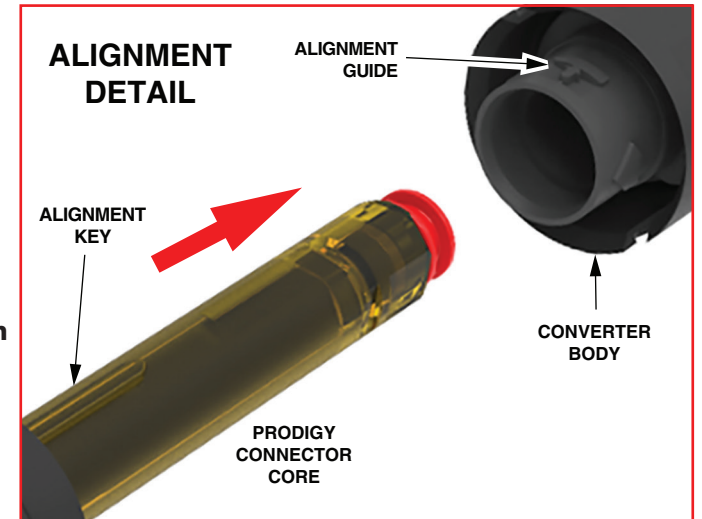
## Installing DLX Converter on Prodigy™ Connector

- 1** Remove the dust cap as follows: (a) Rotate locking nut 45 degrees in direction shown to remove dust cap stop, and (b) pull off dust cap from Prodigy connector.

**NOTE:** Work on a clean surface, taking care to avoid dust contamination of mating surfaces.

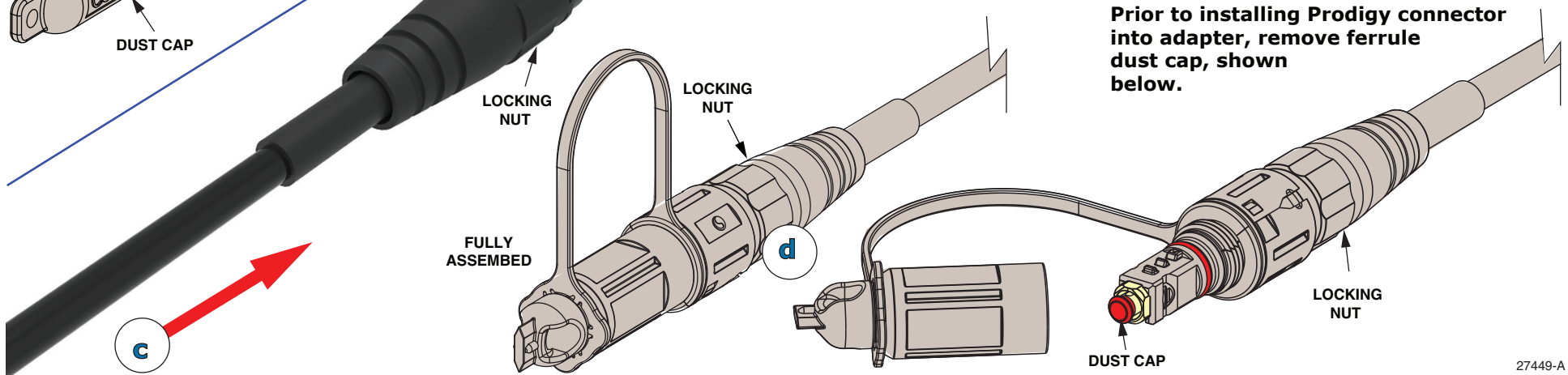


- 2** Install DLX converter: (a) remove converter dust cap, (b) hold onto DLX converter body, (c) align alignment key on the Prodigy connector core with the alignment guide in converter body (see detail), (d) insert connector core all the way in. Turn locking nut 45 degrees in direction shown until it locks into position.



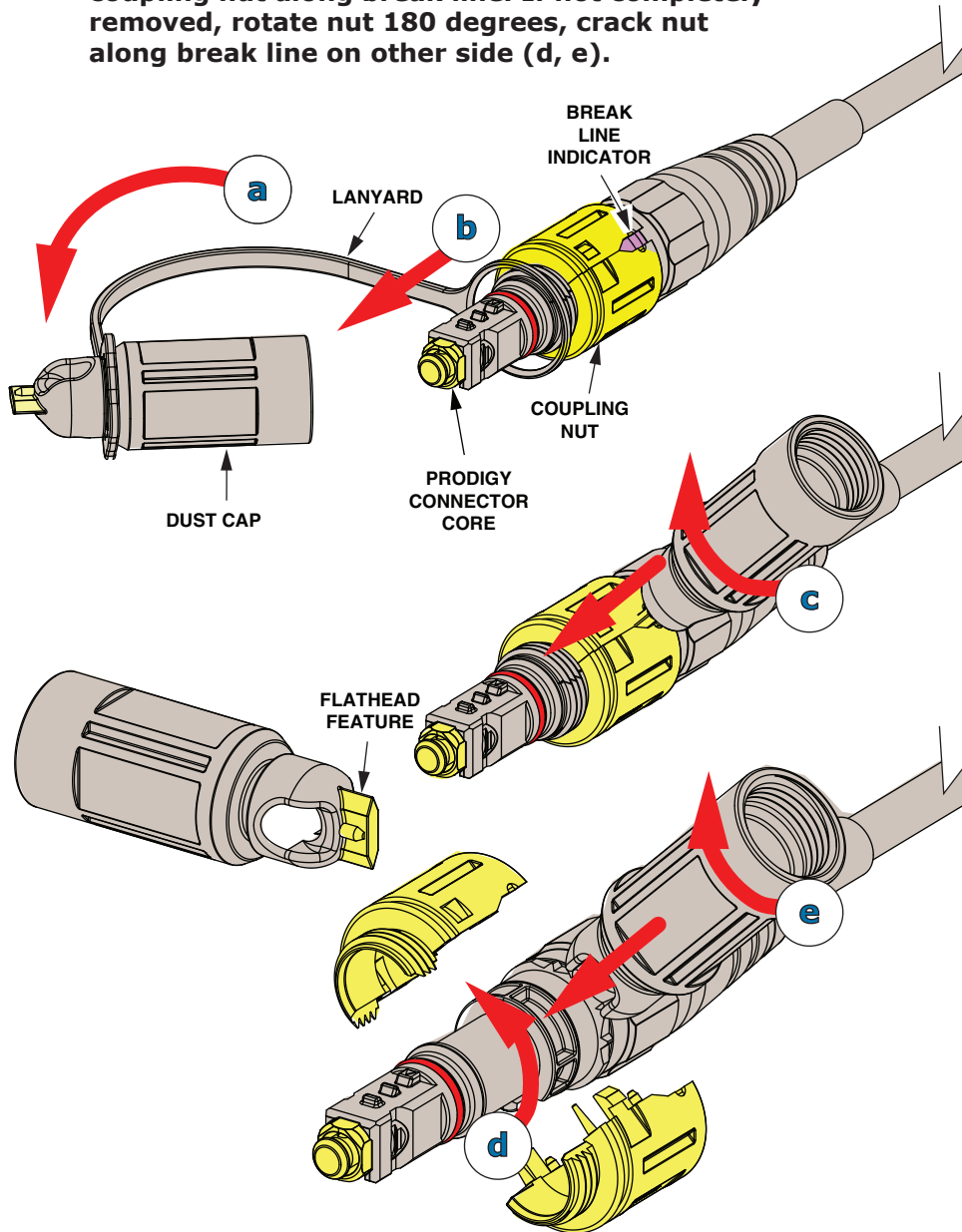
**NOTE:** Hold converter body stationary while inserting connector core into rear opening of converter, as indicated in (b). Align Prodigy connector using alignment key and alignment guide as shown in Alignment Detail above.

**Prior to installing Prodigy connector into adapter, remove ferrule dust cap, shown below.**



## Removing DLX Converter from Prodigy™ Connector

- 1** Remove coupling nut as follows: (a) remove dust cap, (b) pull back lanyard to reveal break line indicator, (c) insert and twist dustcap flathead feature to crack coupling nut along break line. If not completely removed, rotate nut 180 degrees, crack nut along break line on other side (d, e).



- 2** Remove the converter from the Prodigy connector core as follows: (a) Press latch down on converter; (b) twist locking nut in indicated direction to unlock converter; (c) pull off DLX converter from Prodigy connector core; discard converter and coupling nut.

