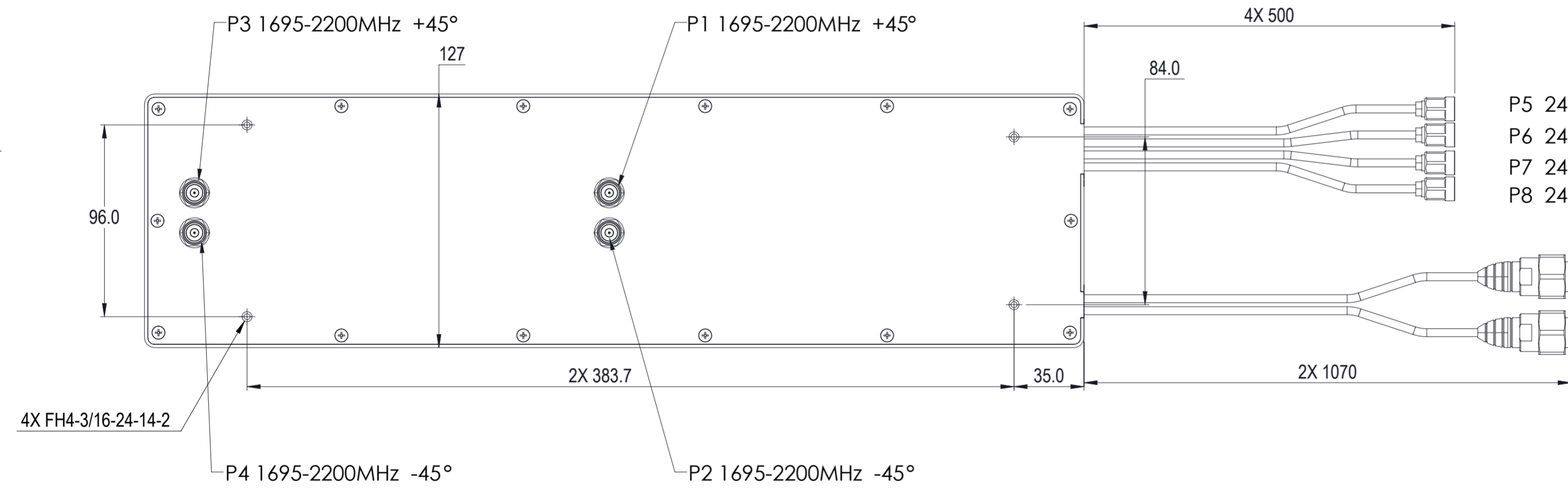
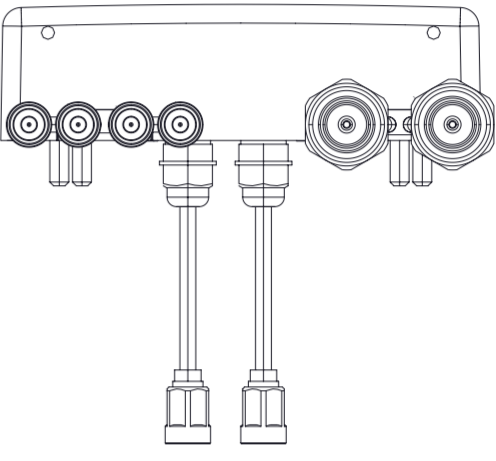
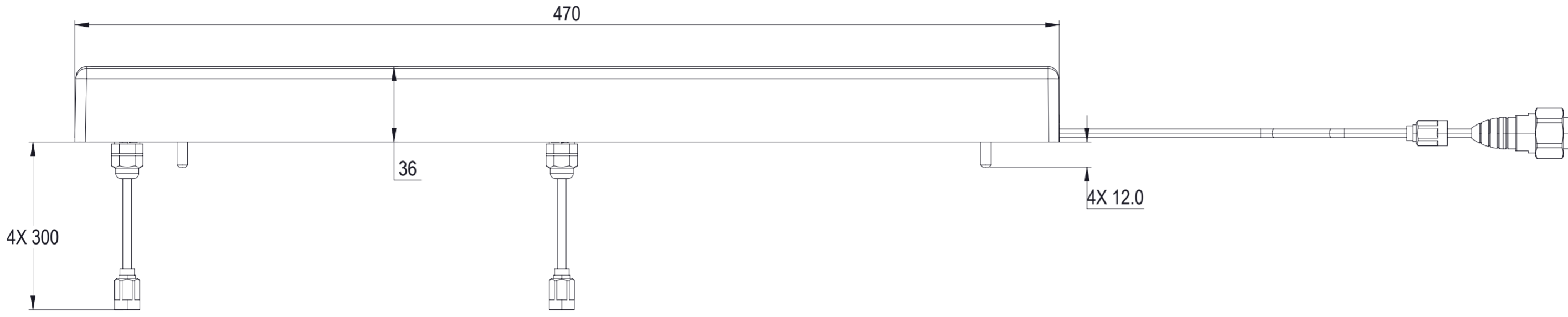


REVISIONS			
REV.	DESCRIPTION	DATE	APPROVED
A	ECR 10960PC: REL TO PRODUCTION PER EAO 608945.	12MAR21 NK	YXW / XZJ
B	ECR 10960PC: UPDATE DRAWING.	24MAR21 ZY	YXW / XZJ
C	ECR 12860PC: ADD A DIMENSION.	02JUN21 ZY	YXW / XZJ



HHTTP-65T-F

<b>COMMScope, INC. OF NORTH CAROLINA</b>											
TOLERANCES						SAP MATERIAL MASTER					
0 PLACE X ±			2 PLACE .XX ±			1 PLACE .X ±			ANGLES ±		
FINISH						MATERIAL					
<b>PRODUCT DRAWING</b>											
NAME		DATE		TITLE							
CE NK		10MAR21		<b>HHTTP-65T-F-L</b>							
RW YZHA1		06/01/2021									
AD ZX1004		06/02/2021									
RE XIAOWANG		06/02/2021									
ECN 12860PC		SCALE <b>1:5</b>		DOCUMENT NO.							
SIZE <b>A2</b>		Auth Group		BSA		MODEL		DRAWING		SHEET	
VERSION		STATUS		REVISION		VERSION		STATUS		REVISION	
								02		RE	
								C		1 OF 1	

DENSITY	g/mm <sup>3</sup>
MASS	grams
VOLUME	mm <sup>3</sup>
SURFACE AREA	mm <sup>2</sup>
HEIGHT	
LENGTH	
WIDTH	

© 2021 CommScope, Inc.