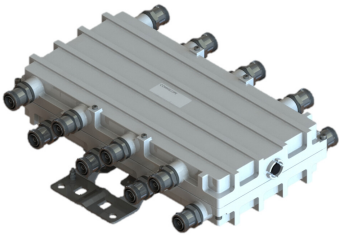


E14V00P49



8pck IMF for 2500 MHz TDD with 38dB rejection in 2500-2570&2620-2690 MHz

- dc/AISG blocking on all ports

Product Classification

Product Type Interference mitigation filter

General Specifications

Color Gray

Modularity 8-Octa

Mounting Pole | Wall

Mounting Pipe Hardware Band clamps (2)

RF Connector Interface 7-16 DIN Female

RF Connector Interface Body Style Long neck

Dimensions

Height 78 mm | 3.071 in

Width 402 mm | 15.827 in

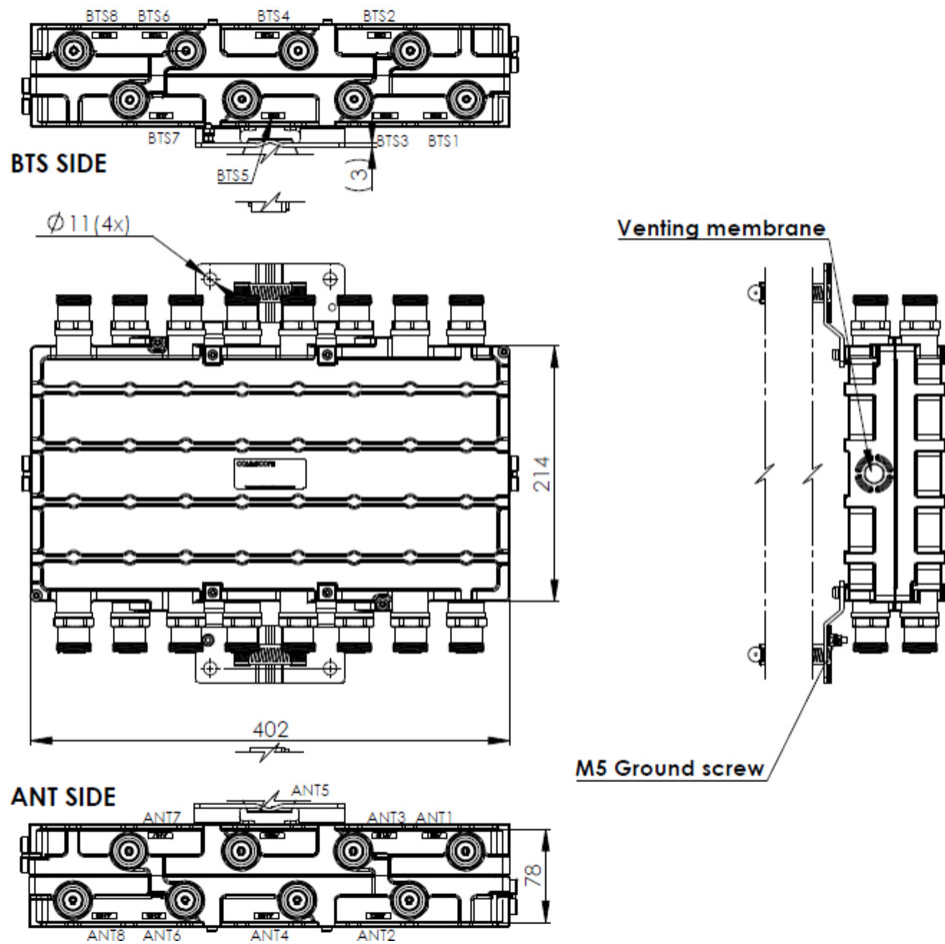
Depth 214 mm | 8.425 in

Ground Screw Diameter 5 mm | 0.197 in

Mounting Pipe Diameter Range 43–122 mm

Outline Drawing

E14V00P49



Electrical Specifications

Impedance 50 ohm

Electrical Specifications, dc Power/Alarm

Lightning Surge Current 5 kA

Lightning Surge Current Waveform 8/20 waveform

Electrical Specifications

Sub-module 1 | 2 | 3 | 4 | 5 | 6 | 7 | 8

Branch 1

License Band IMT 2600, Band Pass

Electrical Specifications, Band Pass

Frequency Range, MHz 2575–2615

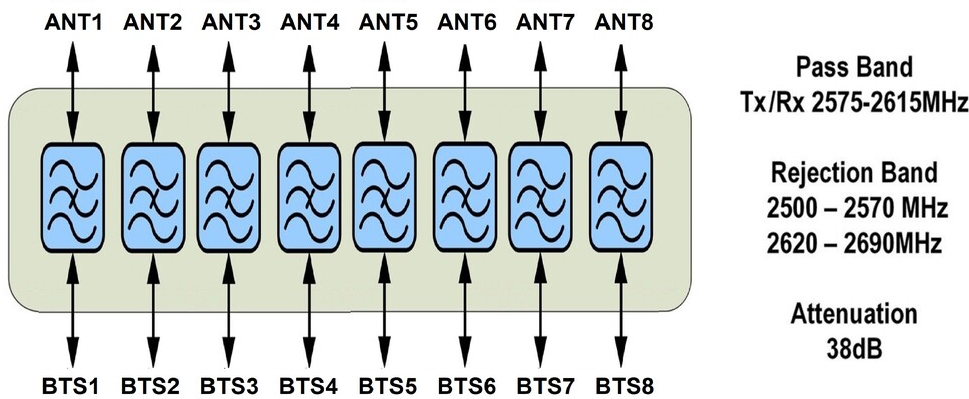
E14V00P49

Insertion Loss, maximum, dB	1.3
Insertion Loss, typical, dB	0.5
Total Group Delay, maximum, ns	110
Return Loss, minimum, dB	18
Return Loss, typical, dB	20
Input Power, RMS, maximum, W	250
Input Power, PEP, maximum, W	1000
3rd Order PIM, maximum, dBc	-140
3rd Order PIM Test Method	Two +43 dBm carriers

Electrical Specifications, Band Reject

Frequency Range, MHz	2500–2570 2620–2690
Attenuation, minimum, dB	38

Block Diagram



Environmental Specifications

Operating Temperature	-40 °C to +55 °C (-40 °F to +131 °F)
Relative Humidity	Up to 100%
Ingress Protection Test Method	IEC 60529:2001, IP67
Mean Time Between Failures, minimum	1000000 h

Packaging and Weights

E14V00P49

Included	Mounting hardware
Weight, without mounting hardware	10.4 kg 22.928 lb