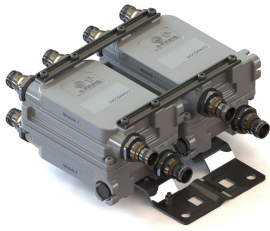


# E14F06P71

---



Quad Diplexer, 1800/2100-2600, dc block all ports, with 4.3-10 connectors

- New 4.3-10 connectors for improved PIM performance and size reduction
- Designed for network Modernization, introduction of LTE1800 on existing site
- Designed for network modernization application, introduction of LTE2300 and LTE2600 on existing site
- Quad configuration, 4x4 MIMO ready
- dc/AISG blocking on all ports (DC open)

## Product Classification

**Product Type** Diplexer

## General Specifications

**Color** Gray

**Modularity** 4-Quad

**Mounting** Pole | Wall

**Mounting Pipe Hardware** Band clamps (2)

**RF Connector Interface** 4.3-10 Female

**RF Connector Interface Body Style** Long neck

## Dimensions

**Height** 86 mm | 3.386 in

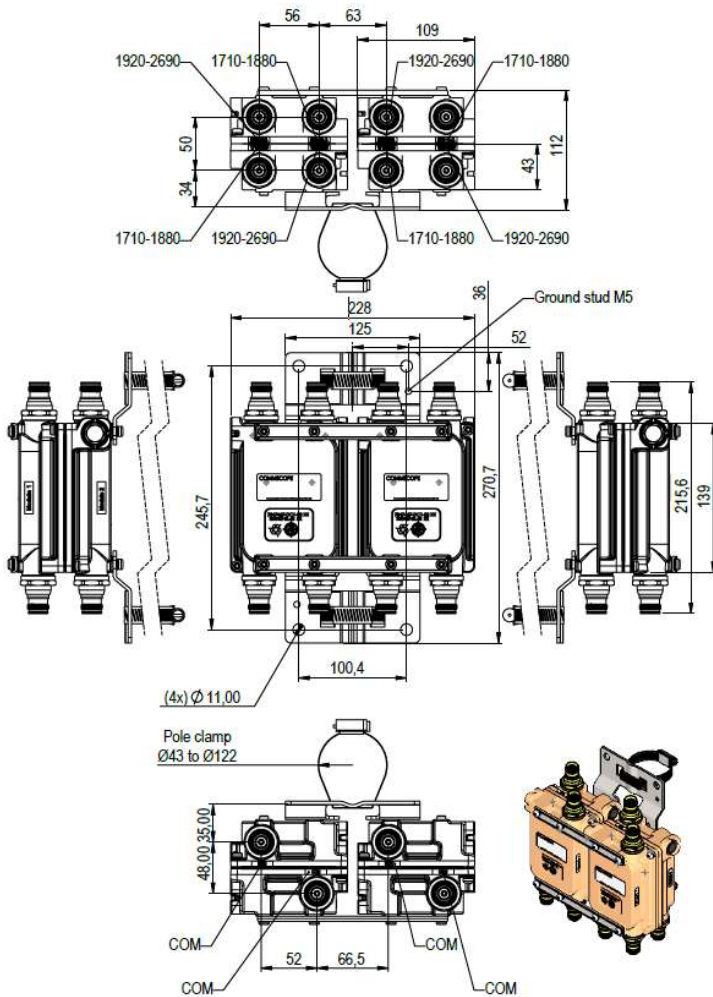
**Width** 228 mm | 8.976 in

**Depth** 139 mm | 5.472 in

**Mounting Pipe Diameter Range** 43–122 mm

## Outline Drawing

# E14F06P71



## Electrical Specifications

<b>Impedance</b>	50 ohm
<b>License Band, Band Pass</b>	DCS 1800   IMT 2100   IMT 2600   WCS 2300

## Electrical Specifications, dc Power/Alarm

<b>dc/AISG Pass-through Method</b>	No dc/AISG pass-through
<b>dc/AISG Pass-through, combiner</b>	dc/AISG blocking on all ports
<b>dc/AISG Pass-through, demultiplexer</b>	dc/AISG blocking on all ports
<b>Lightning Surge Current</b>	10 kA
<b>Lightning Surge Current Waveform</b>	8/20 waveform

## Electrical Specifications

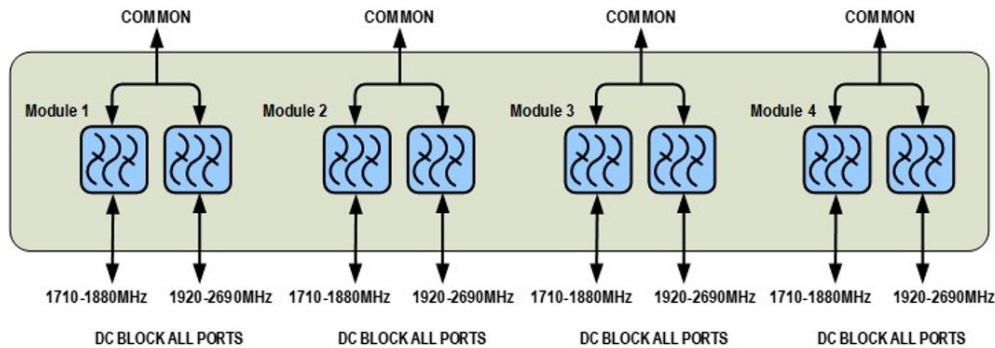
# E14F06P71

<b>Sub-module</b>	<b>1   2</b>	<b>1   2</b>
<b>Branch</b>	1	2
<b>Port Designation</b>	PORT 1 1710-1880	PORT 2 1920-2690
<b>License Band</b>	DCS 1800, Band Pass	IMT 2100, Band Pass WCS 2300, Band Pass IMT 2600, Band Pass

## Electrical Specifications, Band Pass

<b>Frequency Range, MHz</b>	<b>1710–1880</b>	<b>1920–2690</b>
<b>Insertion Loss, typical, dB</b>	0.15	0.15
<b>Return Loss, typical, dB</b>	22	22
<b>Isolation, typical, dB</b>	40	40
<b>Input Power, RMS, maximum, W</b>	250	250
<b>Input Power, PEP, maximum, W</b>	1000	1000
<b>3rd Order PIM, typical, dBc</b>	-157	-157
<b>3rd Order PIM Test Method</b>	Two +43 dBm carriers	Two +43 dBm carriers

## Block Diagram



## Environmental Specifications

<b>Operating Temperature</b>	-40 °C to +65 °C (-40 °F to +149 °F)
<b>Corrosion Test Method</b>	IEC 60068-2-11, 30 days
<b>Environmental Test Method</b>	ETSI EN 300 019-1-4
<b>Ingress Protection Test Method</b>	IEC 60529:2001, IP67

## Packaging and Weights

<b>Included</b>	Mounting hardware
<b>Volume</b>	2.75 L

# E14F06P71

---

**Weight, net** 4.8 kg | 10.582 lb

**Weight, without mounting hardware** 4.2 kg | 9.259 lb

## Regulatory Compliance/Certifications

### Agency

ISO 9001:2015



### Classification

Designed, manufactured and/or distributed under this quality management system