

NOVUX™ Fiber Optic System SRC100 - Patch Application

1 About this manual

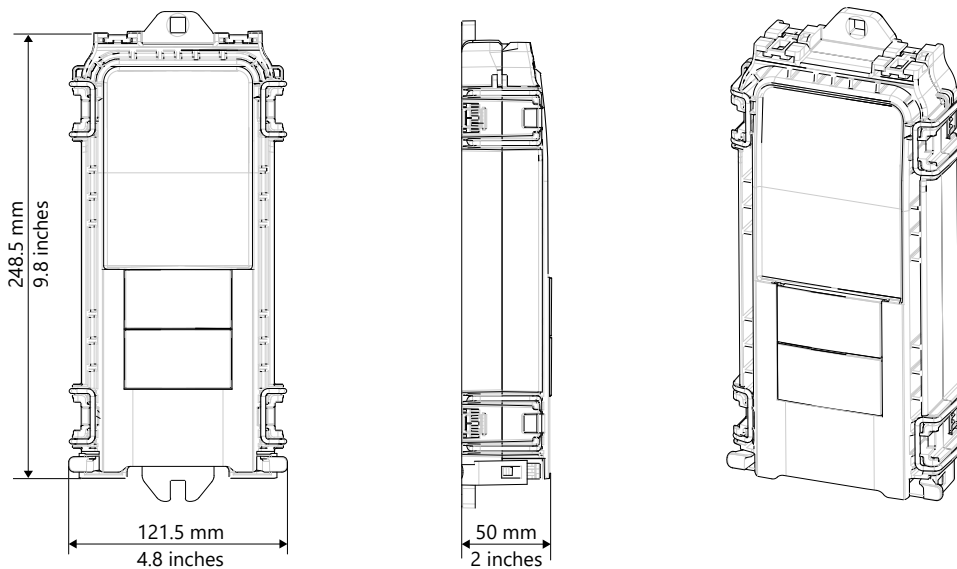
This installation instruction document describes the installation of the SRC100 (repair closure). The document starts with providing an overview of the tools required to perform the installation. Also warnings and cautions are indicated, which should be observed before starting the product installation.

Following installation steps are covered in this document: closure preparation, drop cable installation, routing and patching; closing the closure and mounting the closure.

Images in this manual are for reference only and are subject to change.

General product information

1.2 Dimensions



1.3 Cable diameter range

Position	Cable diameter	
	mm	inches
Drop cable	≤ 8 (flat cable: 8 x 4.5)	≤ 0.32 (flat cable: 0.32 x 0.18)

1.4 Fiber type compatibility

Fiber Type	SRC100 - 12 Splices	SRC100 - 24 Splices	SRC100 - 48 Splices	SRC100 - Splice/Patch
ITU-T G.652D	Yes*	N/A	N/A	N/A
ITU-T G.657	Yes	Yes	Yes	Yes

Note: * Gator application

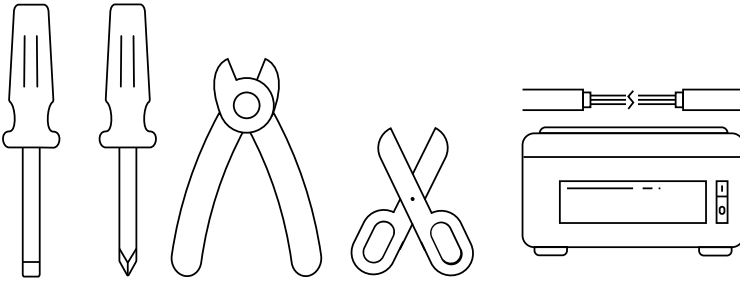
Contents

1 About this manual	1		
1.2 Dimensions.....	1		
1.3 Cable diameter range.....	1		
1.4 Fiber type compatibility.....	1		
2 Abbreviations	3		
3 Tools	3		
4 Warnings and Cautions	3		
5 Kit contents	4		
6 Closure preparation	4		
6.1 Open the closure.....	4		
6.2 Install the Octopus™ Gel Blocks.....	5		
7 Install drop cable	6		
7.1 Using jacket strain relief.....	6		
7.2 Prepare drop cable.....	6		
8 Patch application	6		
8.1 Patch installation.....	6		
9 Install the hinges	7		
10 Close the closure	8		
11 Mount the closure	8		
11.1 Wall- and Pole mounting with screws.....	8		
11.2 Pole mounting with straps.....	9		
12 Lock the closure	9		
12.1 Using a security wire.....	9		
13 Disclaimer	10		
14 Contact information	10		

2 Abbreviations

SRC100: Repair Closure

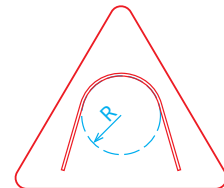
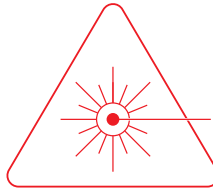
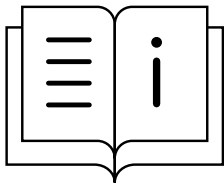
3 Tools



From left to right:

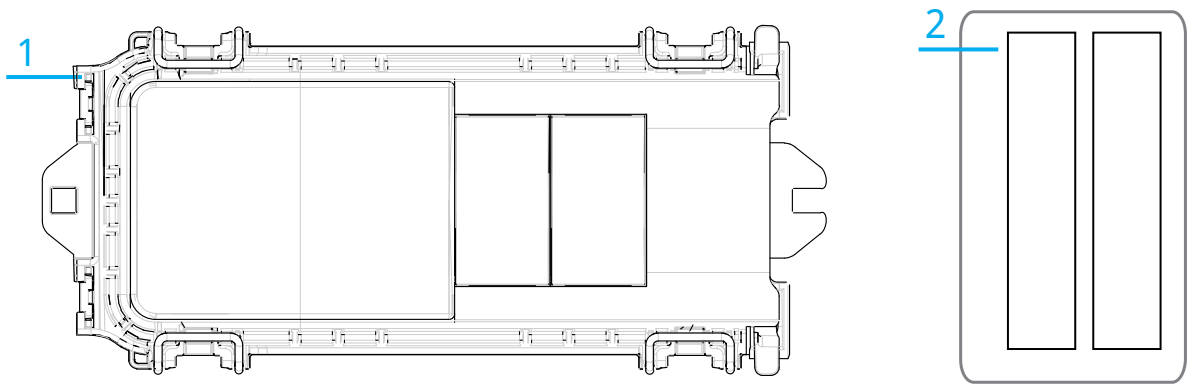
- Flat screw driver
- Phillips screw driver
- Small side cutter
- Scissors
- Fiber splice equipment and fiber cleaning tools

4 Warnings and Cautions



- Follow the installation instruction steps to ensure the performance of the closure. It is necessary to take precautions and keep the working space clean to protect the closure sealing materials and splices.
- Exposure to laser radiation can seriously damage the retina of the eye. Do not look into the ends of any optical fiber. Do not assume the laser power is turned off or that the fiber is disconnected at the other end. Looking into the ends of any optical fiber is entirely at your own risk. A protective cap or hood **MUST** be immediately placed over any radiating adapter or optical fiber connector to avoid the potential of dangerous amounts of radiation exposure. This practice also prevents dirt particles from entering the connector and adapter.
- Fiber optic cables may be damaged if bent or curved to a radius that is less than the recommended minimum bend radius. Always observe the recommended bend radius limit when installing fiber optic cables, subunits and patch cords.

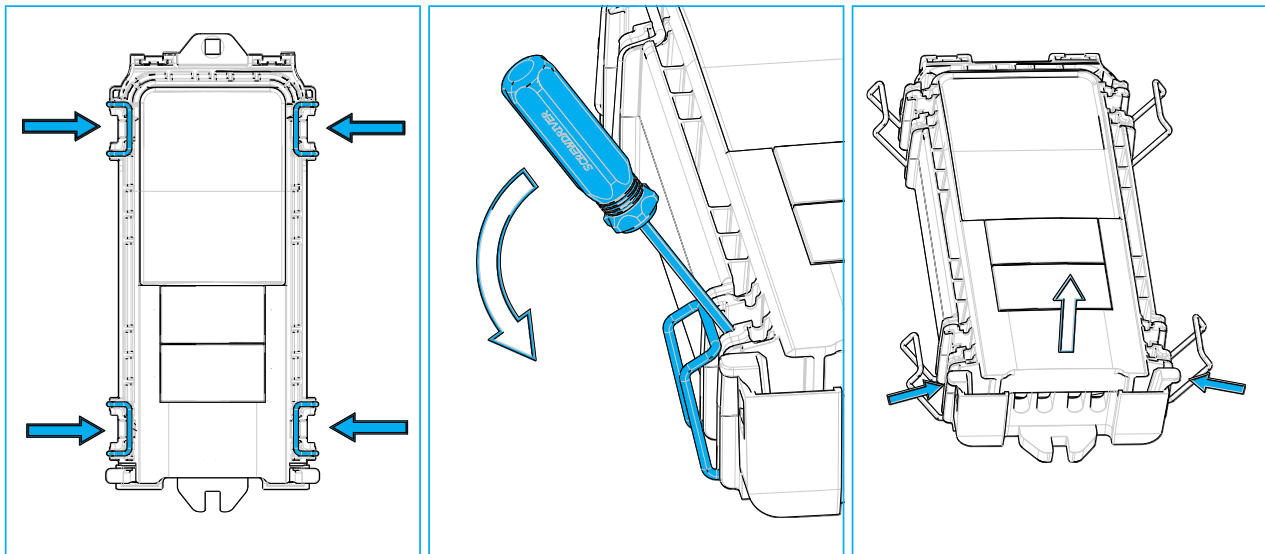
5 Kit contents



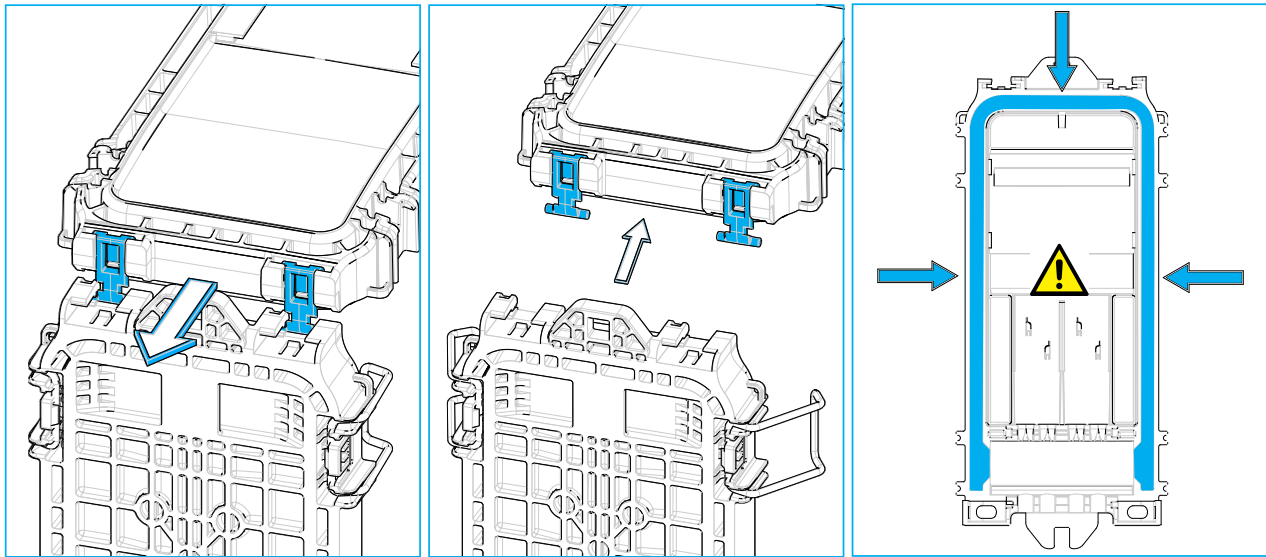
N°	Description	Qty
1	SRC100 Repair Closure	1
2	Octopus™ gel blocks	2

6 Closure preparation

6.1 Open the closure



- 1 To open the closure, open the 4 latches.
- 2 Use a screwdriver to open the metal latch.
- 3 Push the 2 levers to the inside and open the closure.

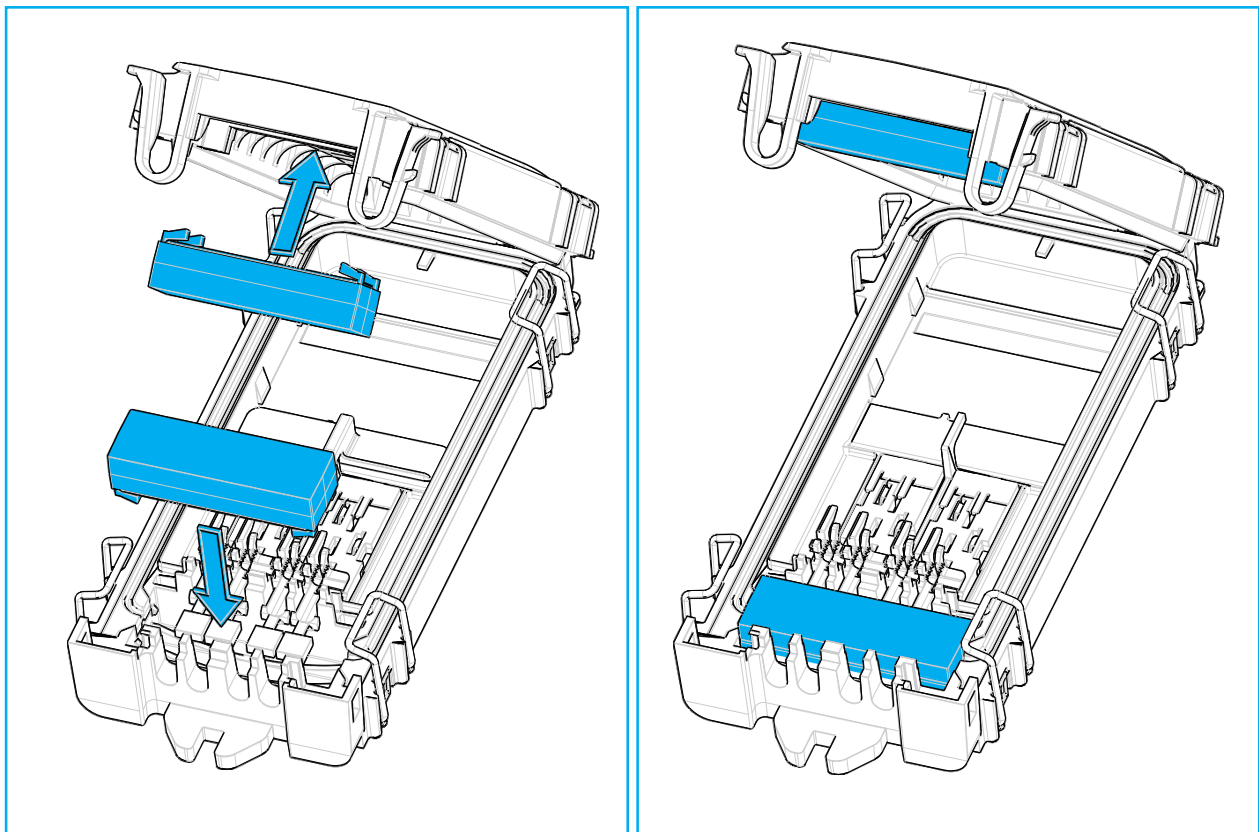


- 4 Move the cover and hinges to the back of the closure.
- 5 Remove the cover.
- 6 Verify the long seal remains correctly seated within the closure cavity.

Note: In case the hinges are not installed yet, please check chapter **Install the hinges** before closing the closure.

6.2 Install the Octopus™ Gel Blocks

One Octopus™ gel block must be installed in the cover, another in the base.



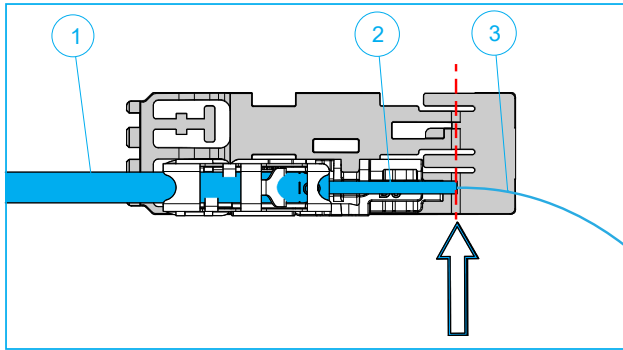
- 1 Install the Octopus™ gel block with the plastic support of the gel block down. Push on the gel block until it is secured by the attachment points on the housing.

7 Install drop cable

7.1 Using jacket strain relief

The instruction for the jacket strain relief is a separate document: **TC-1468-IP Cable retention: jacket strain relief (Mclip)**

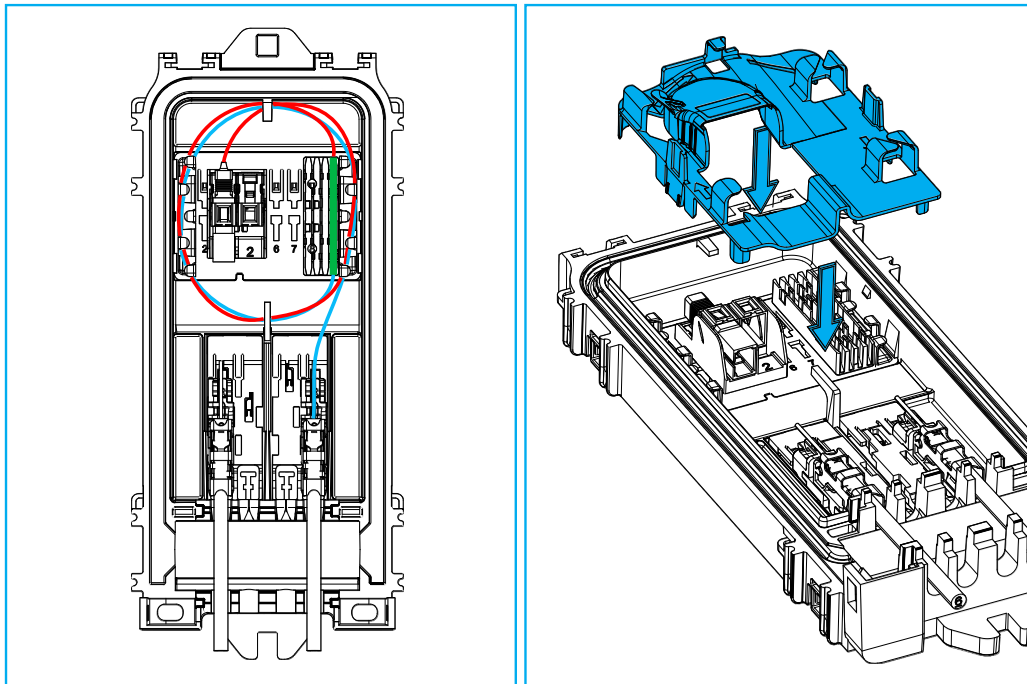
7.2 Prepare drop cable



N°	Description	Preparation
1	Jacket	Remove the jacket with a distance of 90 cm +/- 2 cm (35.4 +/- 0.8 inches).
2	Tube	Use the target line to indicate the transition zone from tube to fiber.
3	Fiber	Route the fiber.

8 Patch application

8.1 Patch installation

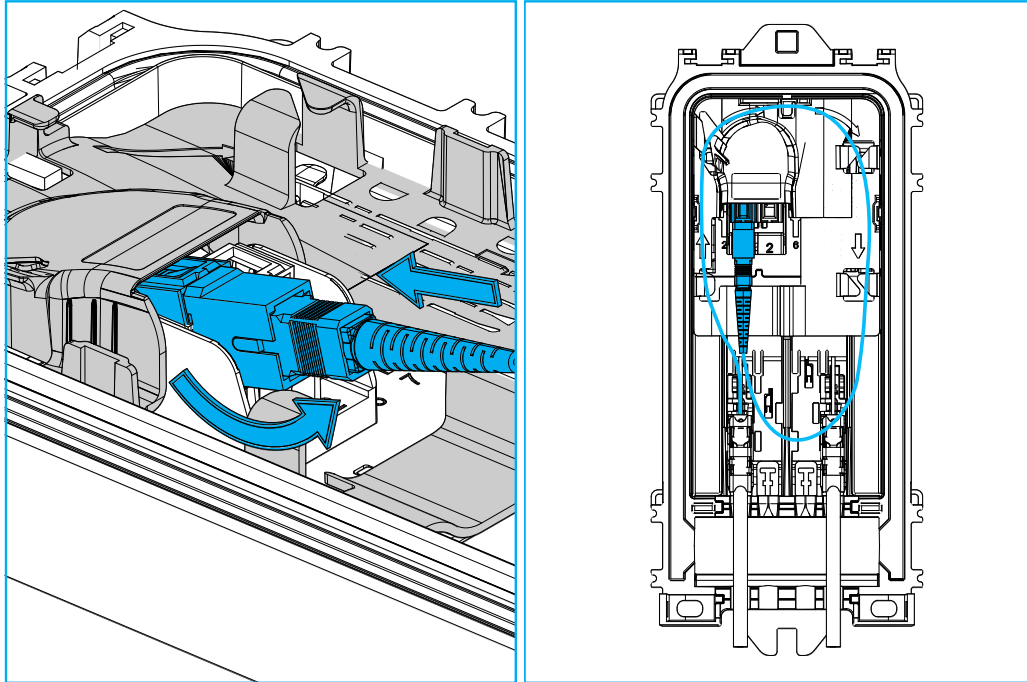


- 1 Install the drop cable (blue) and splice it to the pigtail cable (red).

2 Install the cover plate over the splice area

Note: The connectorized pigtail cable (red) length should be 90 +/- 2 cm (35.4 +/- 0.8 inches).

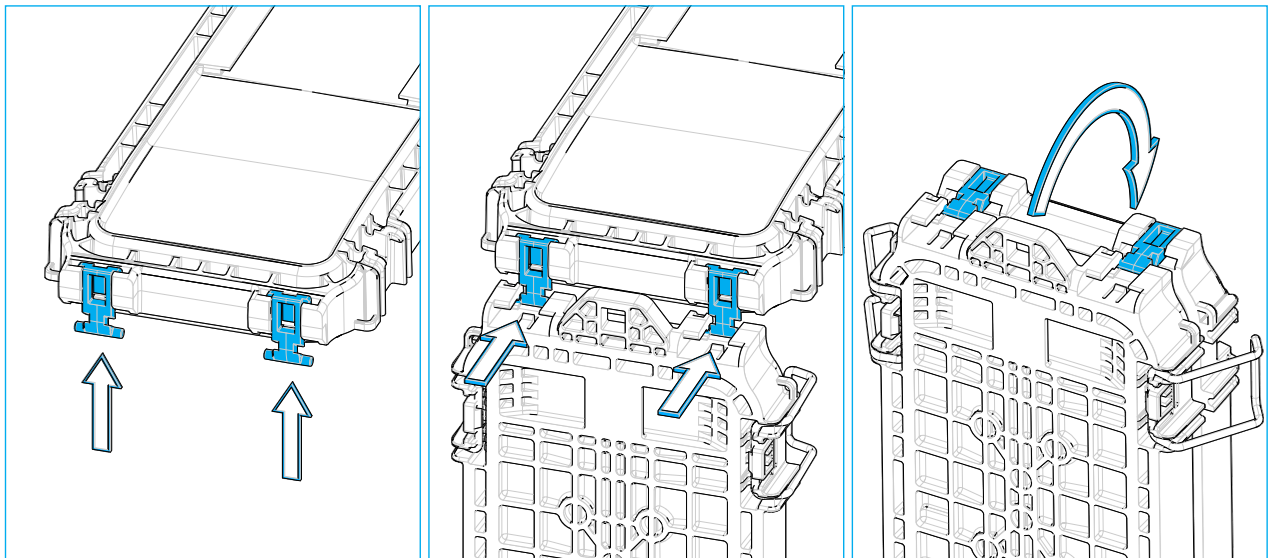
Attention: Make sure all fibers are properly positioned under the lips and avoid bulging of the fiber.



3 Hinge the adapter 45 degrees upward. Remove the dust caps of the adapter port and the connector and clean per standard practice. Install the connector into the adapter.

4 Route the cable (follow the arrow direction molded into the cover plate). The cable length should be 45 cm (17.7 inches).

9 Install the hinges

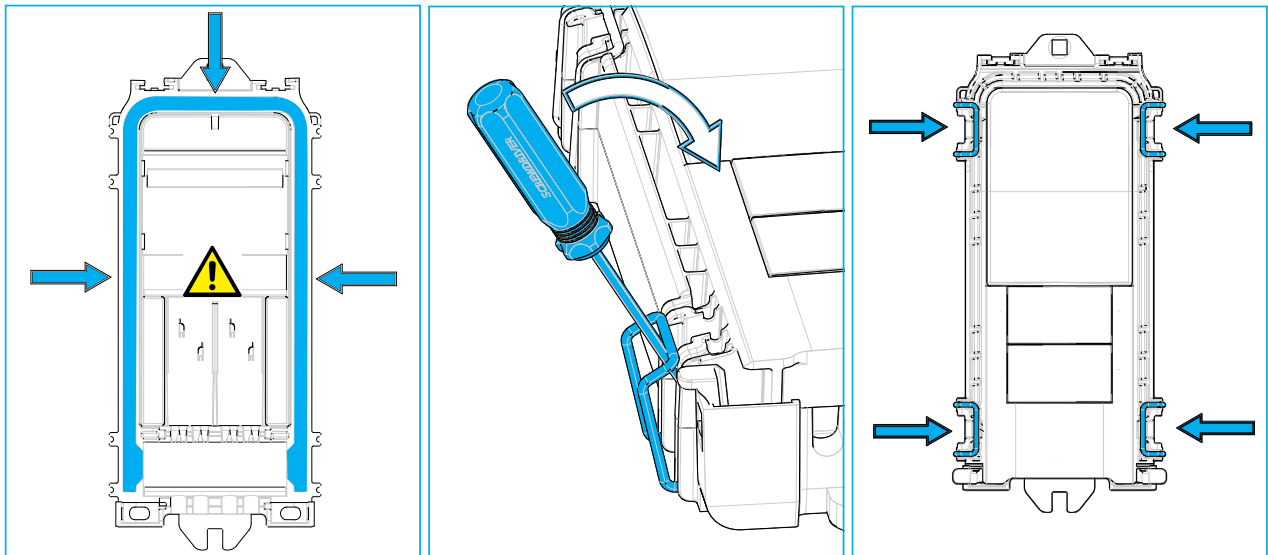


1 Install the hinges at the cover.

2 Install the cover with hinges at the closure base.

3 Close the cover.

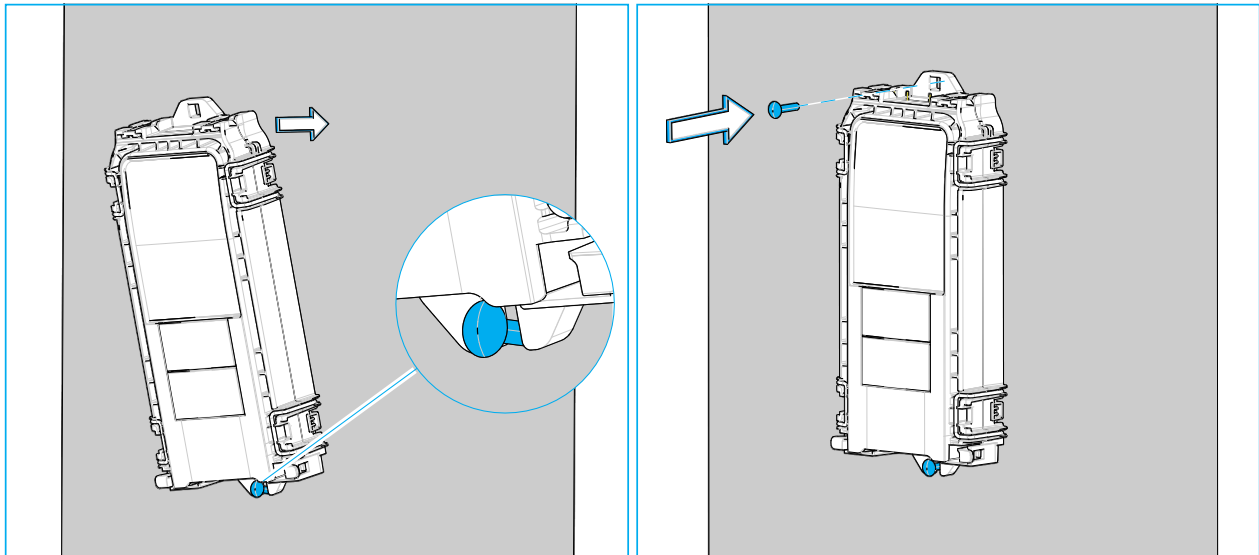
10 Close the closure




- 1 Verify the long seal remains correctly seated within the closure cavity. The seal should be clean and dust free.
- 2 Use a screwdriver to close the metal latch.
- 3 Close the 4 metal latches.

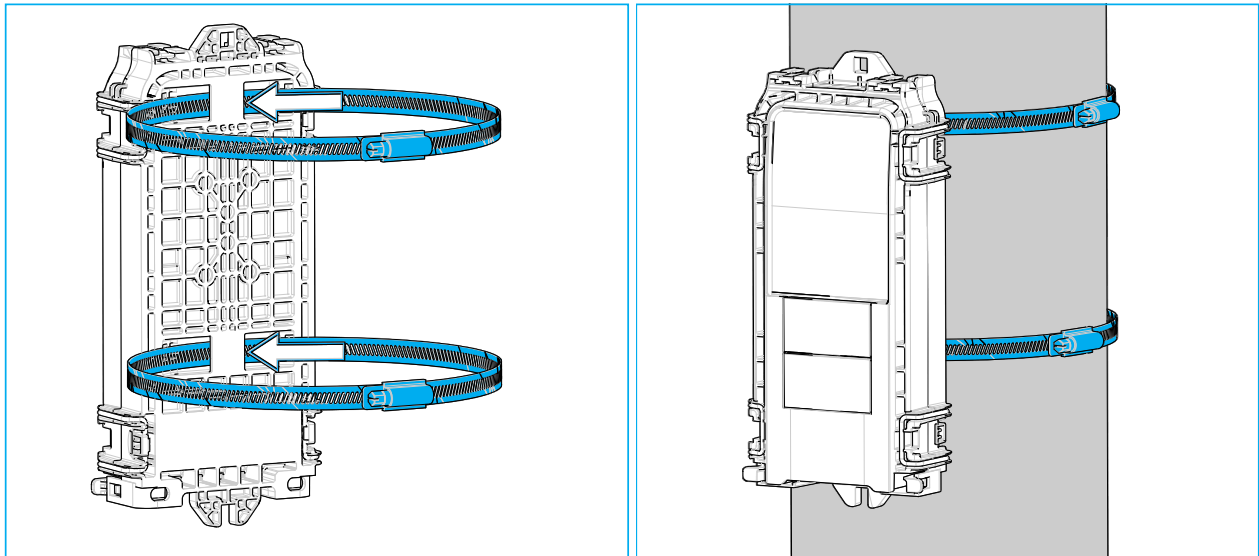
11 Mount the closure


11.1 Wall- and Pole mounting with screws



 **Note:** Wall- and Pole mounting hardware not included.

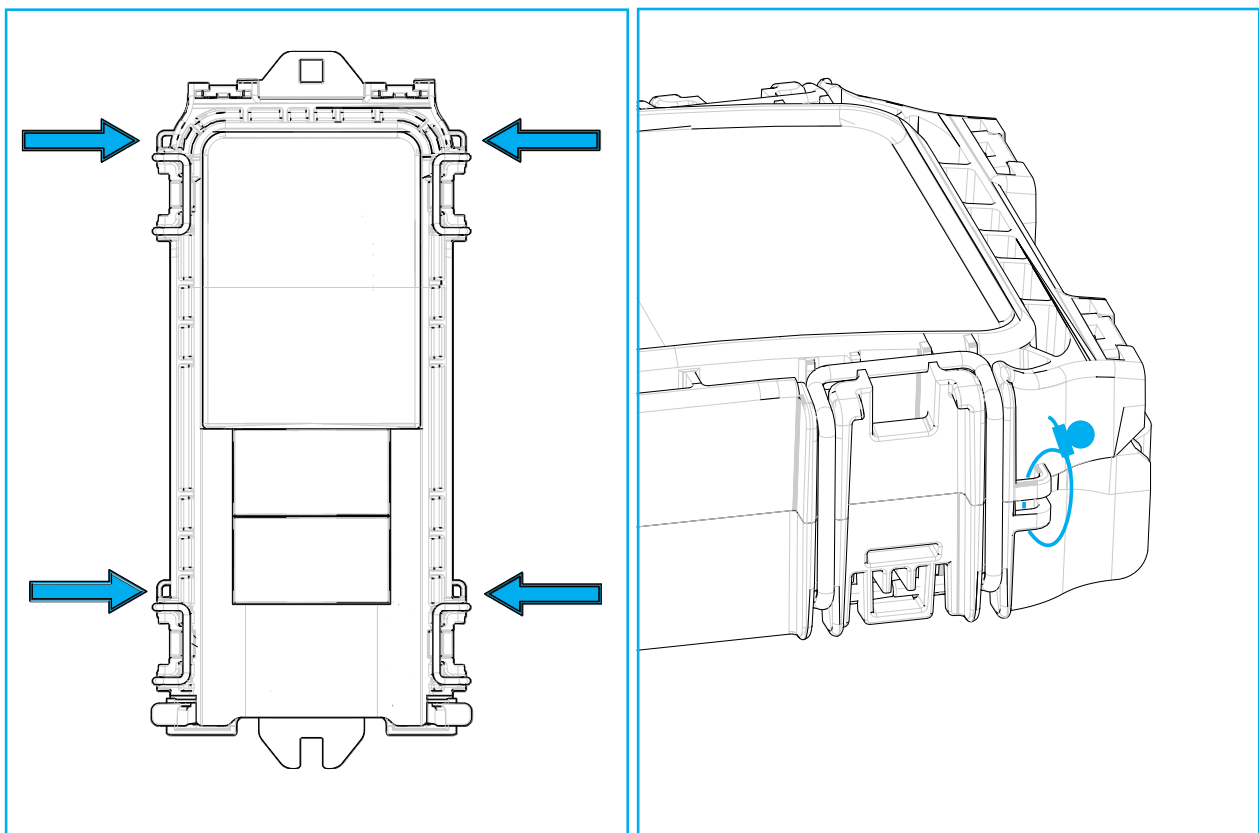
11.2 Pole mounting with straps



 **Note:** Pole mounting hardware not included.

12 Lock the closure

12.1 Using a security wire



- 1 There are 4 locations to secure the closure with a security wire. Push the wire through the holes on the top and bottom cover and seal the wire per local practice.

13 Disclaimer

All trademarks identified by ® are registered trademarks in the US and may be registered in other countries. All third party product names, trademarks and registered trademarks are property of their respective owners.

This product may be covered by one or more U.S. patents or their foreign equivalents. For patents, see www.cs-pat.com.

This document is not intended to modify or supplement any specifications or warranties relating to CommScope products or services.

14 Contact information

Visit our website or contact your local CommScope representative for more information. www.commscope.com

For technical assistance, customer service, or to report any missing/damaged parts, visit us at:

<http://www.commscope.com/SupportCenter>