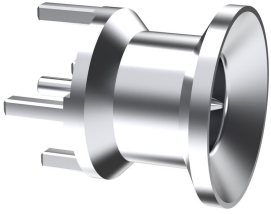


# B2BYM-PCB

---



1.5-3.5 Male Straight B2B, PCB Type

## Product Classification

**Product Type** Device connector

## General Specifications

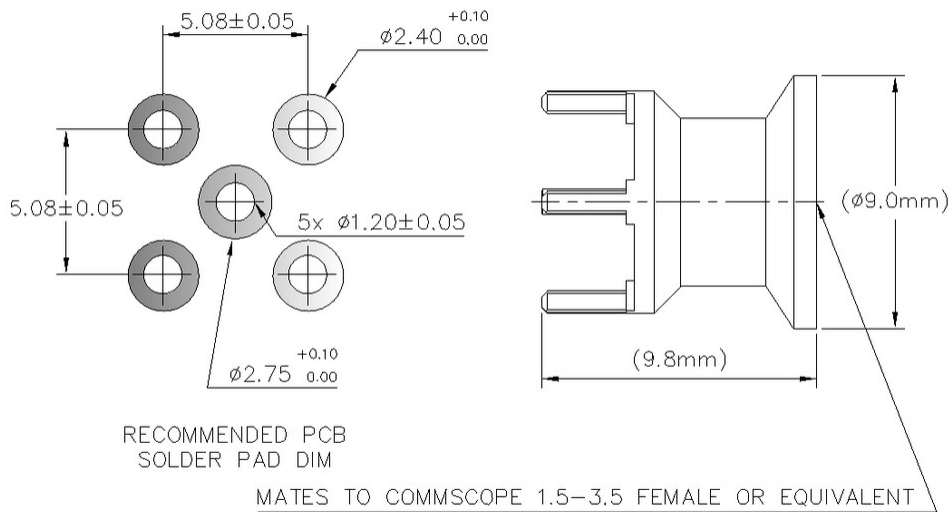
**Body Style** Straight  
**Inner Contact Attachment Method** Solder  
**Inner Contact Plating** Silver  
**Interface** 1.5-3.5 Male  
**Mounting Angle** Straight  
**Outer Contact Plating** Tin | Trimetal

## Dimensions

**Height** 9 mm | 0.354 in  
**Width** 9 mm | 0.354 in  
**Length** 9.8 mm | 0.386 in  
**Diameter** 9 mm | 0.354 in

## Outline Drawing

# B2BYM-PCB



## Electrical Specifications

<b>3rd Order IMD at Frequency</b>	-110 dBm @ 3500 MHz   -112 dBm @ 1800 MHz   -112 dBm @ 910 MHz
<b>3rd Order IMD Test Method</b>	Two +43 dBm carriers
<b>Insertion Loss, maximum</b>	0.1 dB
<b>Connector Impedance</b>	50 ohm
<b>dc Test Voltage</b>	1000 V
<b>Inner Contact Resistance, maximum</b>	2 mOhm
<b>Insulation Resistance, minimum</b>	5000 MOhm
<b>Operating Frequency Band</b>	0 – 6000 MHz
<b>Outer Contact Resistance, maximum</b>	2 mOhm
<b>RF Operating Voltage, maximum (vrms)</b>	500 V

## VSWR/Return Loss

Frequency Band	VSWR	Return Loss (dB)
450-2200 MHz	1.065	30.04
2200-3800 MHz	1.065	30.04
3800-4200 MHz	1.083	27.99
4200-6000 MHz	1.222	20.01

## Mechanical Specifications

# B2BYM-PCB

---

<b>PCB Attachment</b>	Through-hole
<b>Insertion Force</b>	15 N   3.372 lbf
<b>Interface Durability</b>	100 cycles
<b>Interface Durability Method</b>	IEC 61169-4:17
<b>Mechanical Shock Test Method</b>	IEC 60068-2-27
<b>Radial Float/Misalignment</b>	2.7 °

## Environmental Specifications

<b>Operating Temperature</b>	-55 °C to +85 °C (-67 °F to +185 °F)
<b>Storage Temperature</b>	-65 °C to +125 °C (-85 °F to +257 °F)
<b>Attenuation, Ambient Temperature</b>	20 °C   68 °F
<b>Average Power, Ambient Temperature</b>	40 °C   104 °F
<b>Average Power, Inner Conductor Temperature</b>	100 °C   212 °F
<b>Corrosion Test Method</b>	IEC 60068-2-11
<b>Thermal Shock Test Method</b>	IEC 60068-2-14
<b>Vibration Test Method</b>	IEC 60068-2-6

## Packaging and Weights

<b>Weight, net</b>	1.33 g   0.003 lb
--------------------	-------------------