

1.0 GENERAL NOTES

- 1.1 ALL METRIC DIMENSIONS ARE INDICATED BY [X.X]
- 1.2 ALL DIMENSIONS SHOWN ARE FOR REFERENCE ONLY

2.0 DESIGN NOTES

- 2.1 REFER TO STRUCTURAL REPORT FOR EMBEDDED PIER FOUNDATION DETAILS AND INSTALLATION.
- 2.2 ALL BOLTS SHALL BE TIGHTENED AT INSTALLATION TO A SNUG-TIGHT CONDITION PER AISC 13TH EDITION, PAGE 16.2-46, SECTION 8.1. THE SNUG-TIGHT CONDITION IS DEFINED AS THAT OBTAINED WITH A FEW IMPACTS OF AN IMPACT WRENCH OR THE FULL EFFORT OF AN IRONWORKER USING AN ORDINARY SPUD WRENCH TO BRING THE CONNECTED PLIES INTO FIRM CONTACT.

3.0 MANUFACTURING/SPECIAL REQUIREMENTS

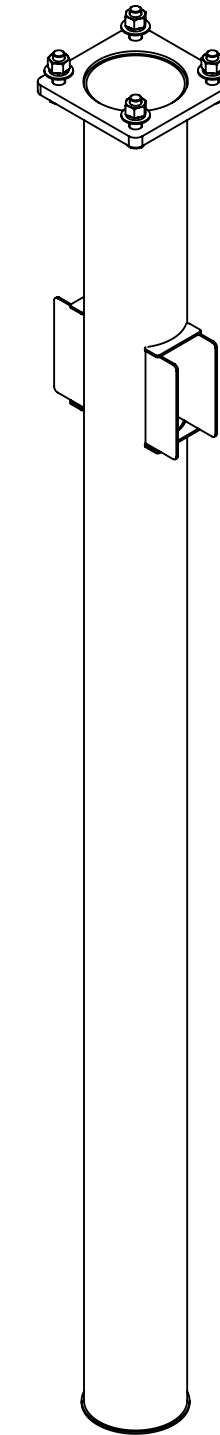
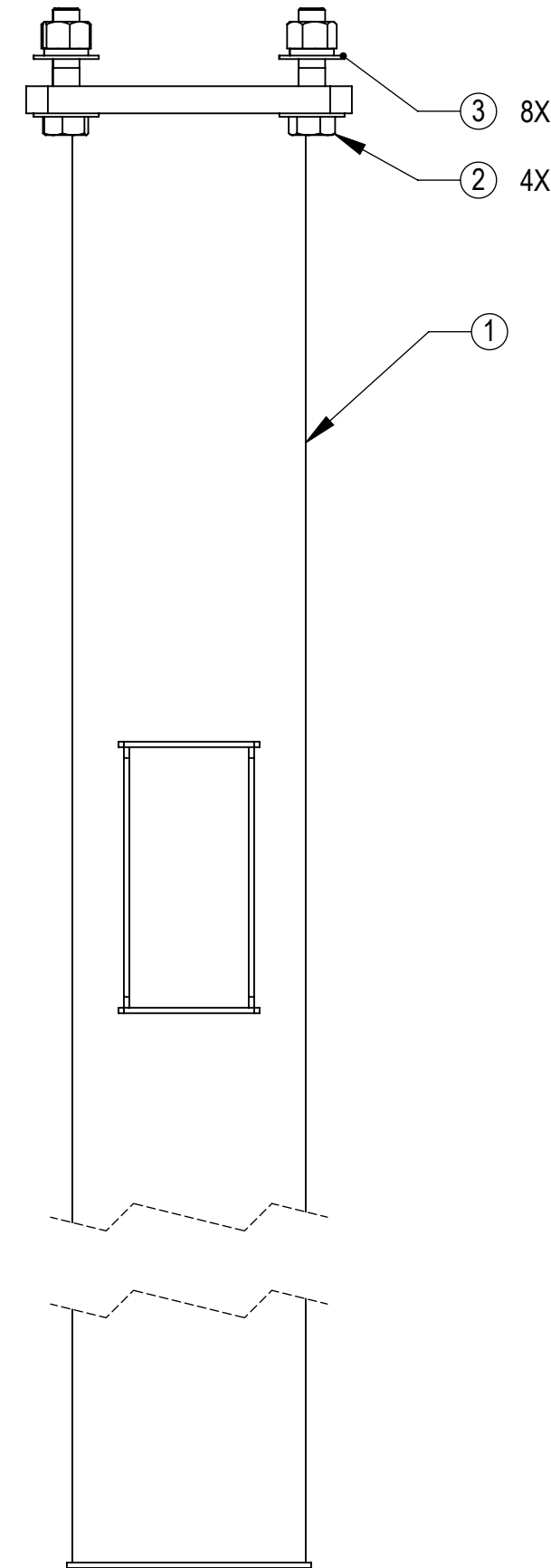
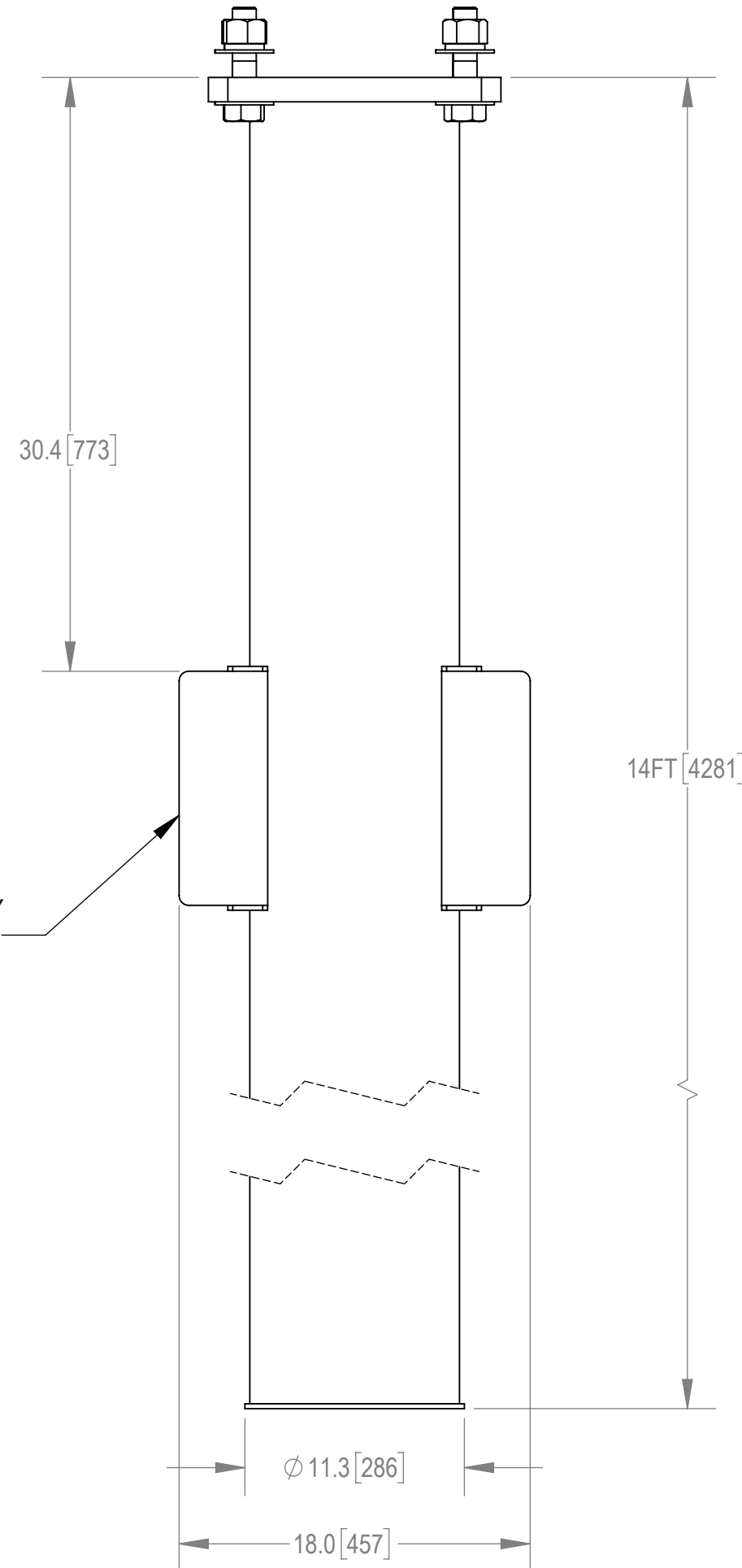
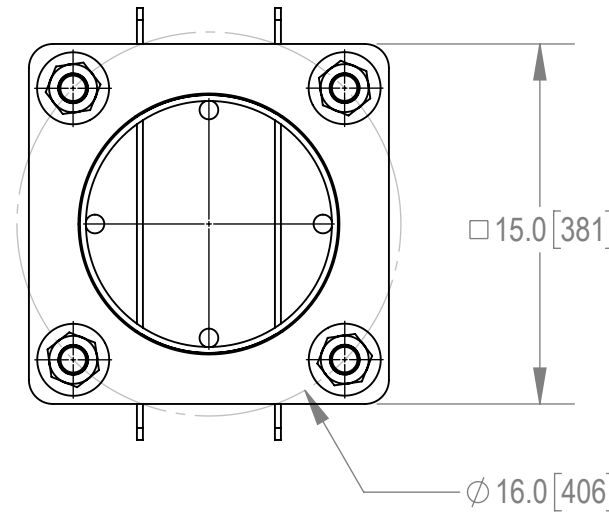
- 3.1 TORCH CUTTING OF ANY KIND SHALL NOT BE PERMITTED.

4.0 TEST

5.0 PACKAGING

- 5.1 HARDWARE MAY BE SUPPLIED PACKAGED SEPARATELY
- 5.2 PRINTED DOCUMENT TO BE PLACED INSIDE SHIPPING BOX
- 5.3 SUPPORT ITEM TO PREVENT DAMAGE TO CABLE ENTRY PARTS, BOTH SIDES

REVISIONS				
REV.	ECN	DESCRIPTION	BY	DATE
A	8000037834	INITIAL RELEASE	AG1119	10/24/2019
B	8000040222	CORRECTED DESCRIPTION	SF1043	4/7/2020



COMMScope, INC. OF NORTH CAROLINA									
TOLERANCES					SAP MATERIAL MASTER				
1 PLACE .X ±		N/A			3 PLACE .XXX ±		860651491-14		
2 PLACE .XX ±					ANGLES ±				
FINISH NONE					MATERIAL SEE BOM				
UNLESS OTHERWISE SPECIFIED DIMENSIONS ARE IN INCHES INTERPRET PER ANSI Y 14.5M-1994	CE	AG1119	10/24/19	EMBEDDED POLE KIT, 10.75" OD X 14' SCALE: 1:24 DOCUMENT NO. 860651492-14					
	RW	SF1043	04/08/2020						
	AD	AG1119	04/08/2020						
	RE	SF1043	04/08/2020						
	ECN 008000040222								
SIZE	WORK AREA	24	MODEL			DRAWING			
C		VERSION	STATUS	REVISION	VERSION	STATUS	REVISION	SHEET	
		00	RE	A	01	RE	B	1 OF 1	

BOM TABLE				
ITEM NO.	PART NUMBER	DESCRIPTION	QTY	NOTE
1	MTM1071-6000	EMBEDDED POLE WELDMENT, 10.75" OD X 14'	1	
2	GB-1050A	1.25-7 X 5" GALV BOLT KIT (A325)	4	2.2, 5.1
3	GW-10	1-1/4" GALV FLAT WASHER	8	2.2, 5.1
4	860651492-14	REFERENCE DOCUMENT	1	5.2

DENSITY	0.28	lbs/in ³
MASS	479.12	lbs
VOLUME	1700.27	in ³
SURFACE AREA	12715.81	in ²
HEIGHT	168.5	
LENGTH	15	
WIDTH	18	