

4

3

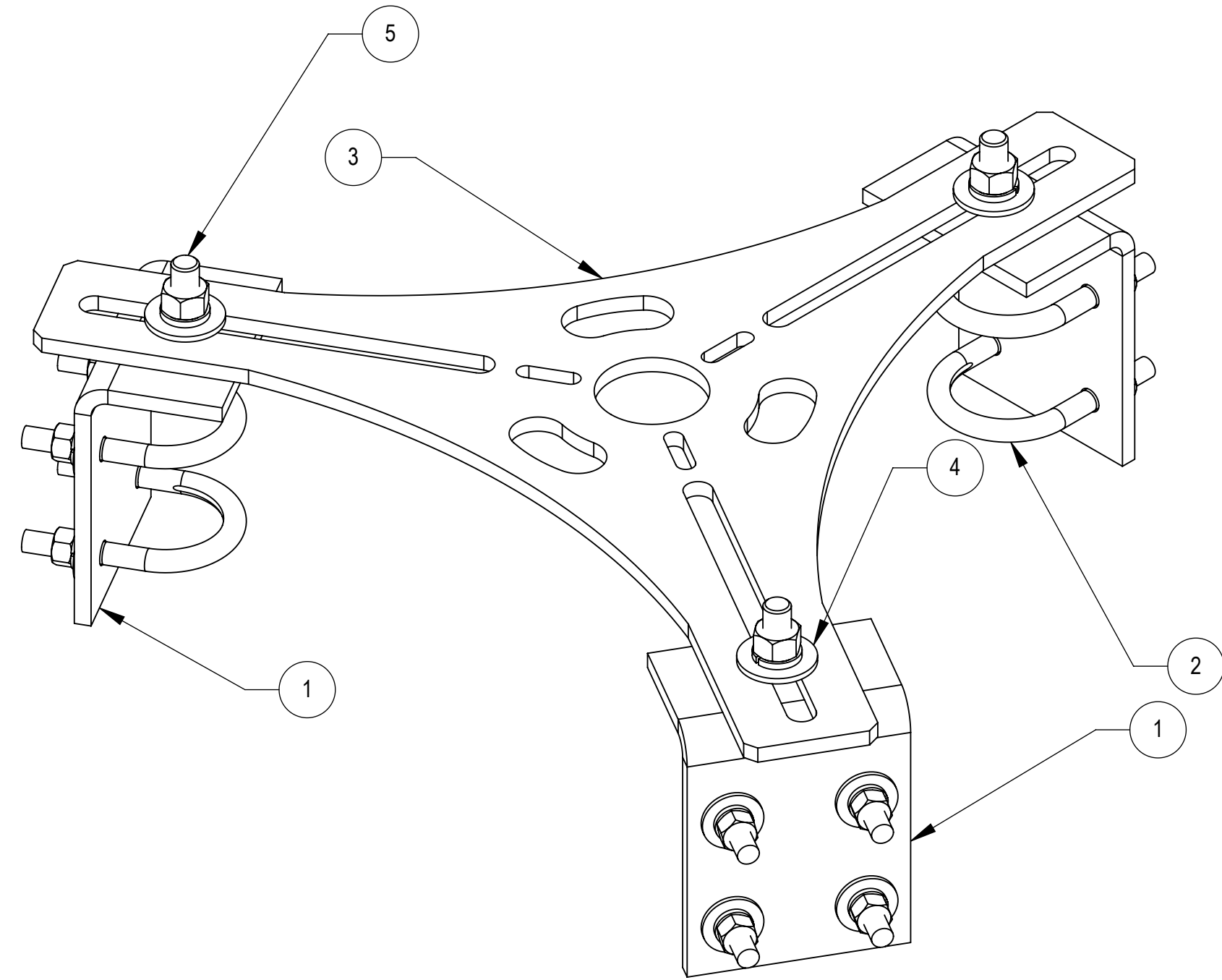
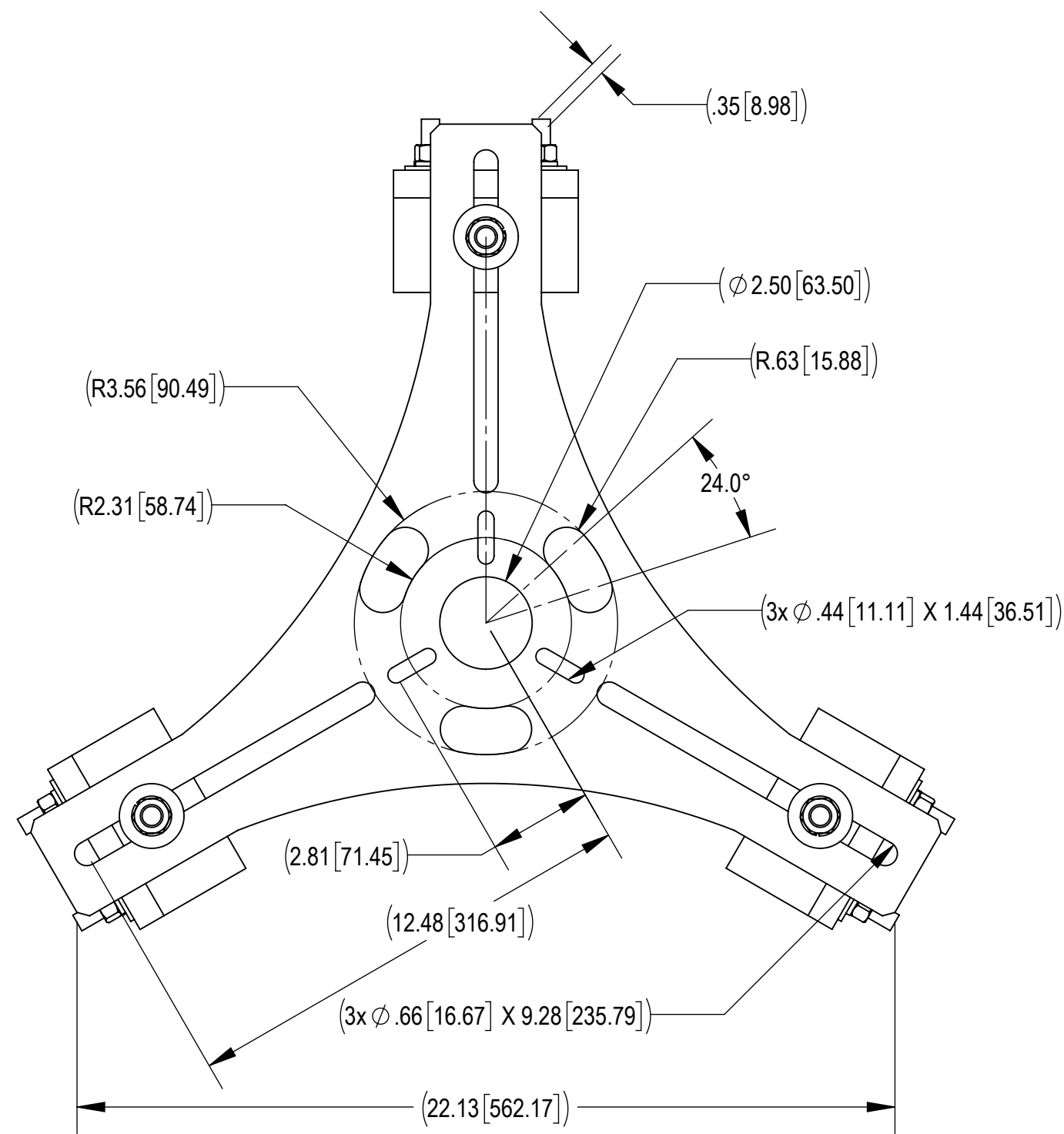
2

1

NOTES:

- 1.0 GENERAL
 - 1.1 ALL METRIC DIMENSIONS ARE IN BRACKETS
 - 1.2 FOR PATENTS, SEE WWW.CS-PAT.COM
- 2.0 DESIGN NOTES
- 3.0 MANUFACTURING/SPECIAL REQUIREMENTS
- 4.0 TEST
- 5.0 PACKAGING

REVISIONS				
REV.	ECN	DESCRIPTION	BY	DATE
A	8000040496	INITIAL RELEASE	ES1081	04/29/20
B	8000042052	ADDED TOP VIEW ON SHEET1, ADD SIDE VIEW ON SHEET2.	PX1012	7/29/2020



ITEM	PART NO.	DESCRIPTION	QTY.	WEIGHT	NOTE NO.
1	MTC4102	TOP CAP CROSSOVER	3	4.65	
2	GUB-4240	1/2" X 2-1/2" X 4" GALV U-BOLT	6	0.56 LBS	
3	MTC4099	TOP PLATE, SMALL CELL WOOD POLE	1	13.55 LBS	
4	GWF-05	5/8" GALV FLAT WASHER, 1.7OD	3	0.08 LBS	
5	GB-0522A	5/8" X 2-1/4" GALV BOLT KIT (A325)	3	0.28 LBS	

COMMSCOPE, INC. OF NORTH CAROLINA

TOLERANCES		SAP MATERIAL MASTER	
1 PLACE .X ± .25	3 PLACE .XXX ± 0.06	SCPTRU-100-T	
2 PLACE .XX ± 0.12	ANGLES ± 2°		
FINISH GALV A123		MATERIAL SEE BOM TABLE	

UNLESS OTHERWISE SPECIFIED DIMENSIONS ARE IN INCHES INTERPRET PER ANSI Y 14.5M-1994	CE	NAME	DATE	3 SECTOR MTC9313613 ANTENNA TOP MOUNT					
	RW	ES1081	04/29/20						
	RV	PX1012	08/03/2020						
	AD	MC1107	08/04/2020						
	RE	DFULLER	08/04/2020						
ECN 008000042052				SCALE	DOCUMENT NO.				
				1:12	SCPTRU-100-T				
SIZE	WORK AREA	MODEL		DRAWING			SHEET 1 OF 2		
C		24	VERSION	STATUS	REVISION	VERSION		STATUS	REVISION
			00	RE	A	01		RE	B

DENSITY		lbs/in ³
MASS	33.43	lbs
VOLUME	118.10	in ³
SURFACE AREA	859.40	in ²
HEIGHT		
LENGTH		
WIDTH		

4

3

2

1

4

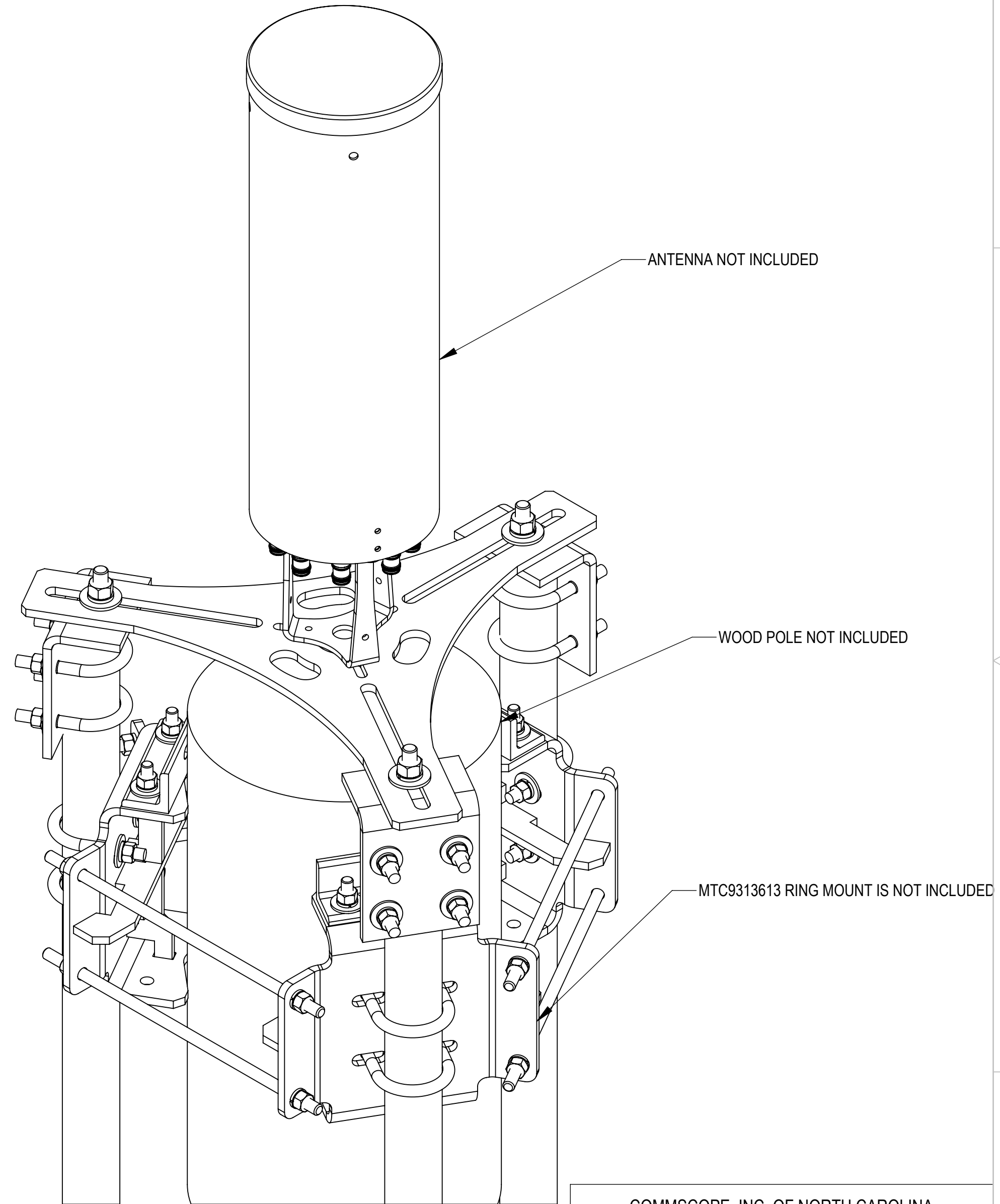
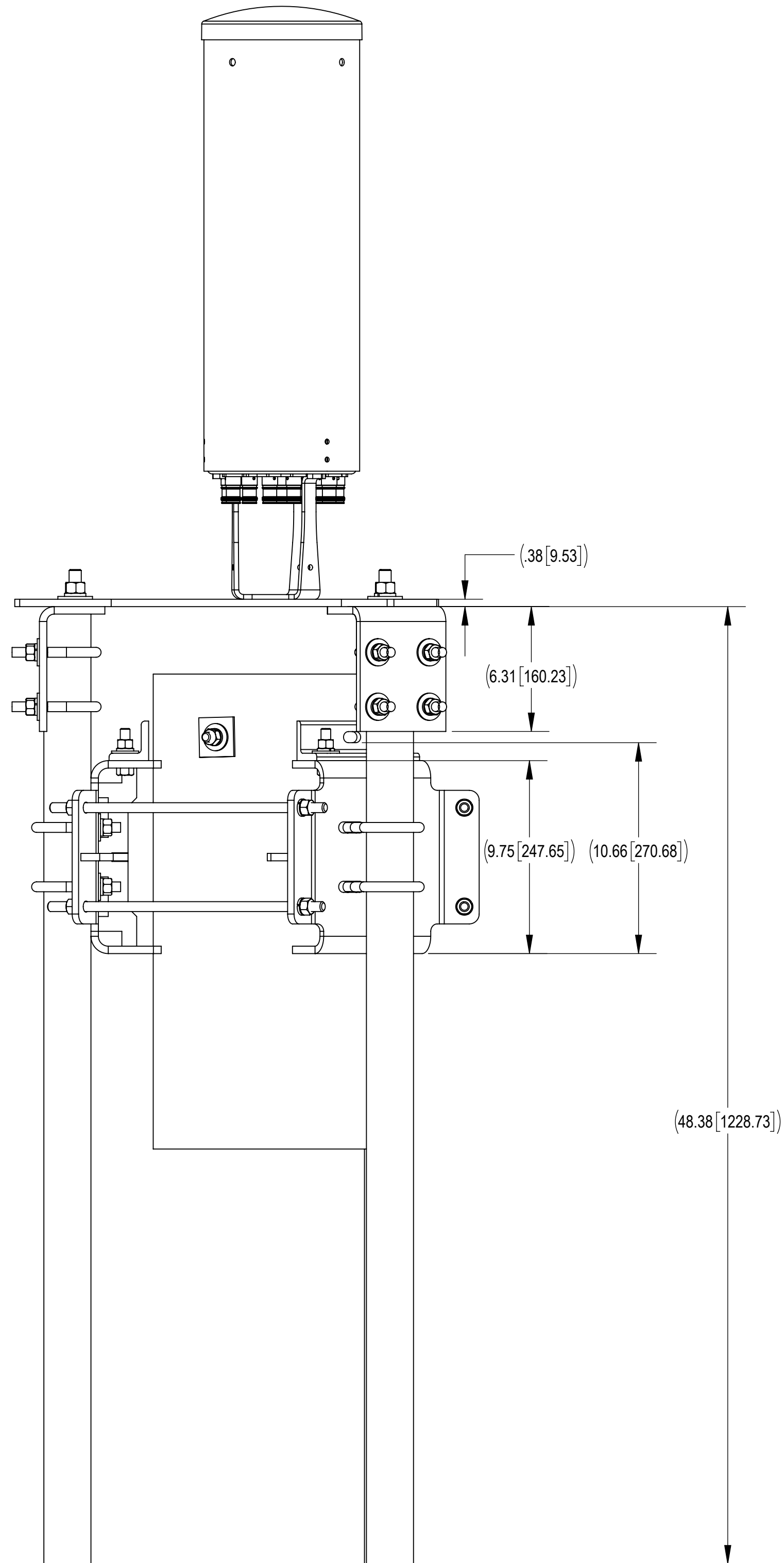
3

2

1

NOTES:

TYPICAL APPLICATION



COMMSCOPE, INC. OF NORTH CAROLINA				
TITLE 3 SECTOR MTC9313613 ANTENNA TOP MOUNT				
SIZE C	SCALE 1:12	DOCUMENT NO. SCPTRU-100-T		
		DRAWING		SHEET
		VERSION	STATUS	REVISION
		01	RE	B
				2 OF 2

4

3

2

1

D

D

C

C

B

B

A

A