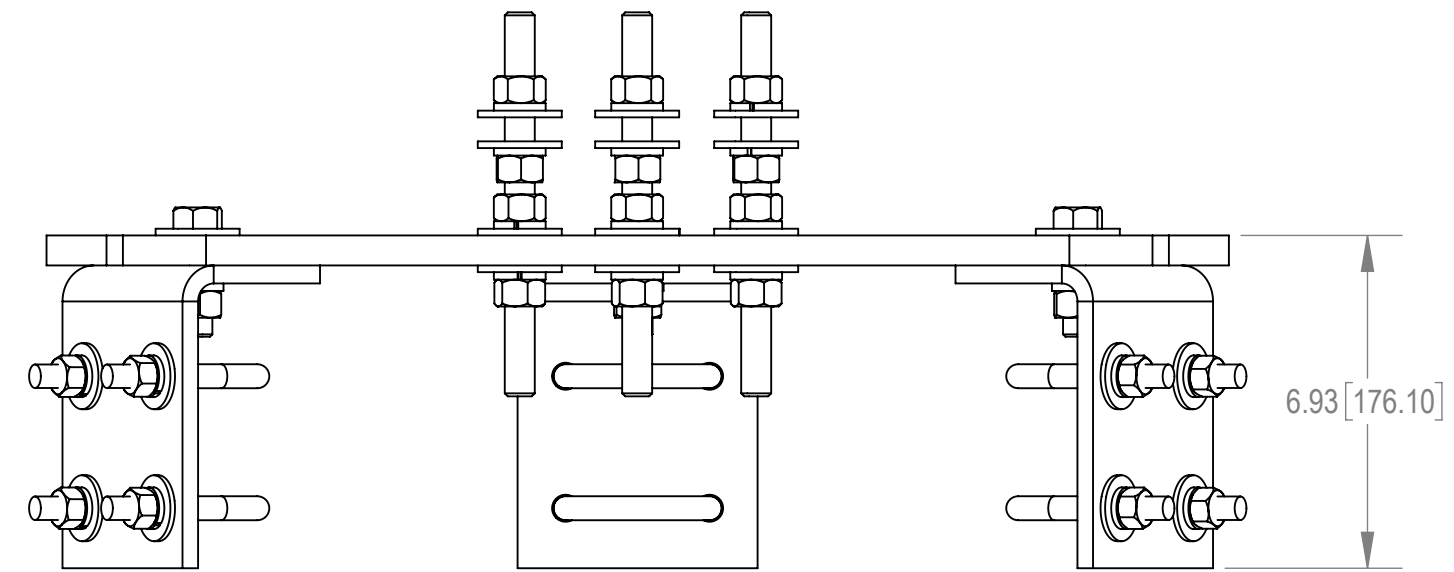
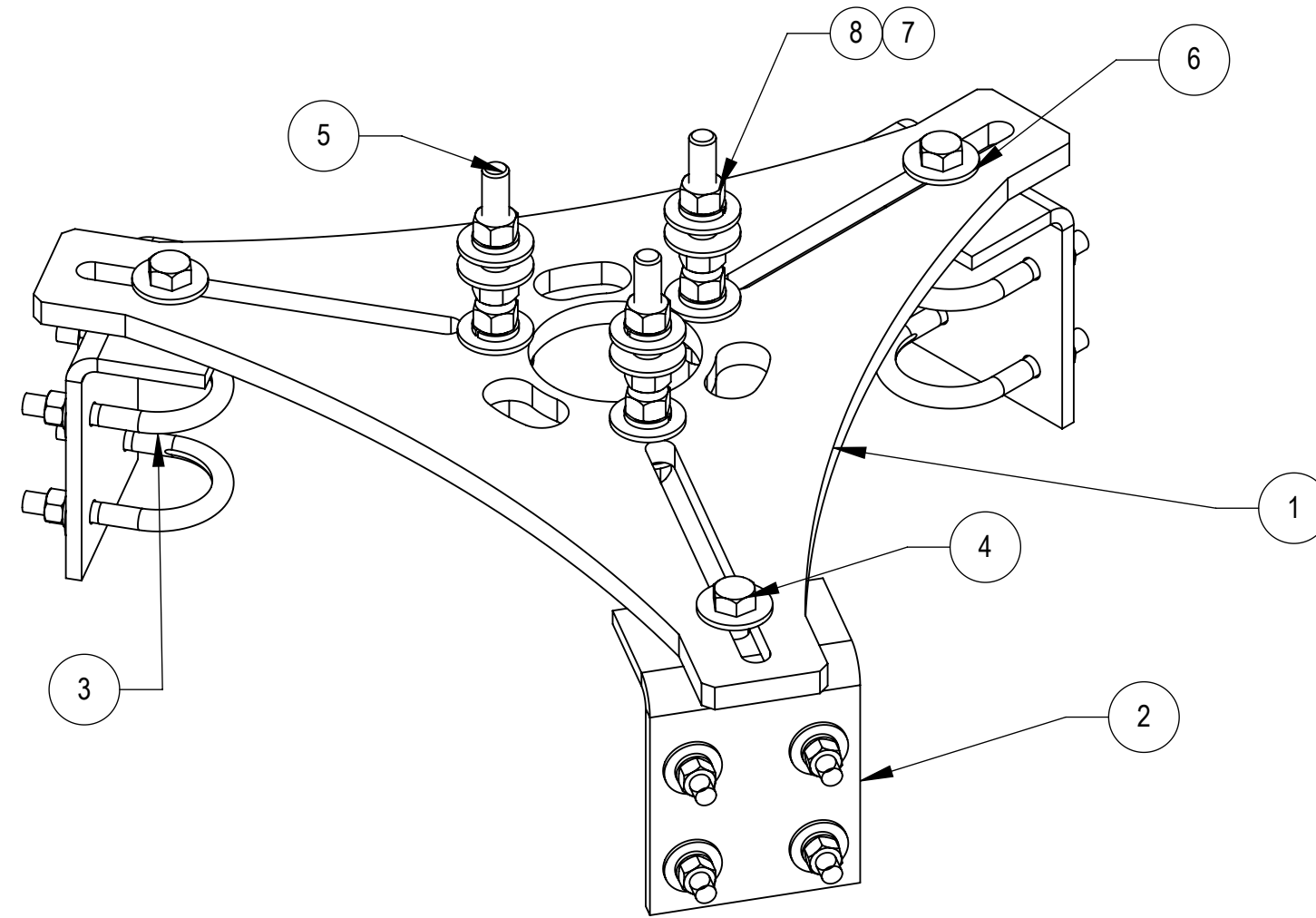
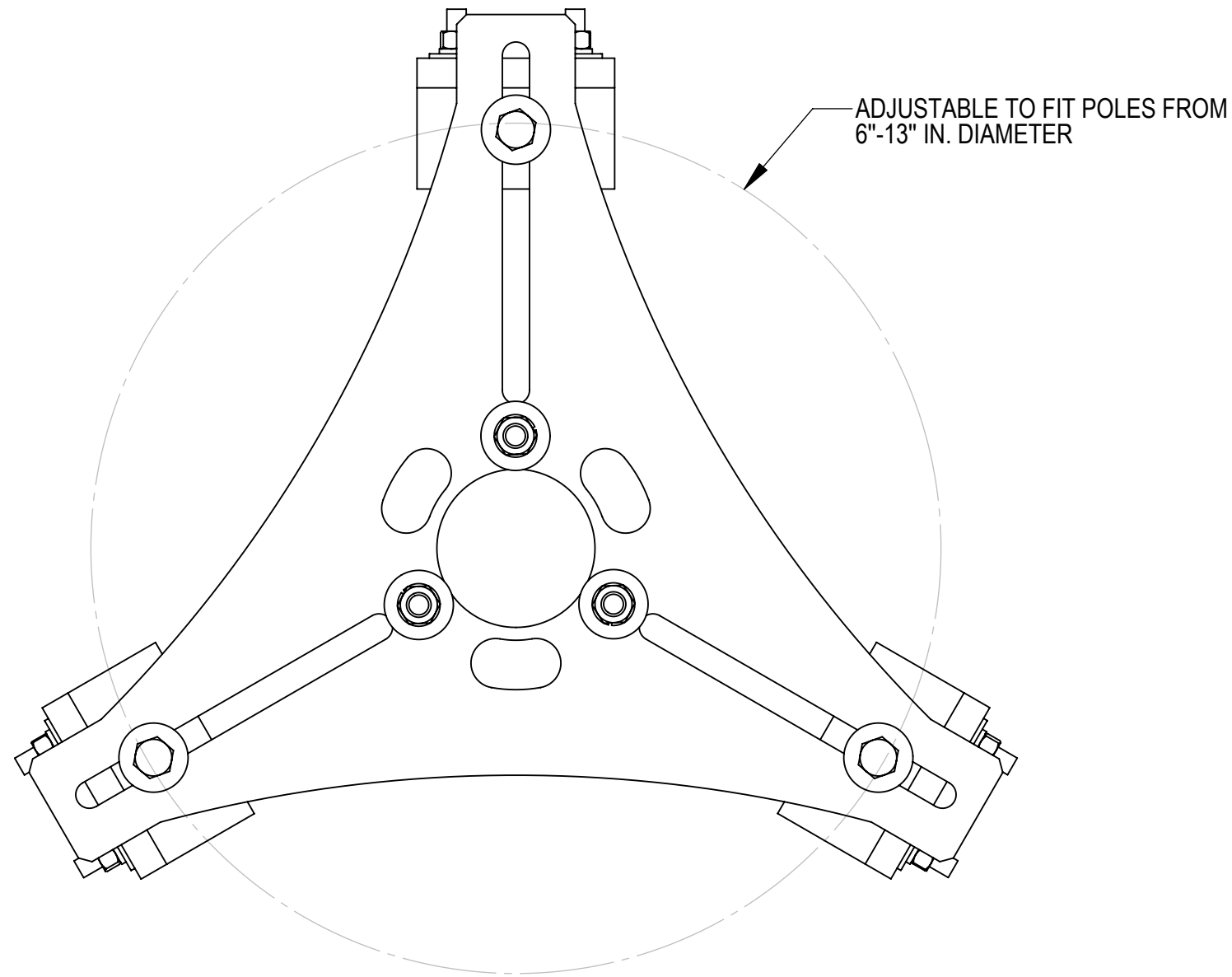


NOTES:

- 1.0 GENERAL
 - 1.1 ALL METRIC DIMENSIONS ARE IN BRACKETS
 - 1.2 FOR PATENTS, SEE WWW.CS-PAT.COM
- 2.0 DESIGN NOTES
- 3.0 MANUFACTURING/SPECIAL REQUIREMENTS
- 4.0 TEST
- 5.0 PACKAGING

REVISIONS				
REV.	ECN	DESCRIPTION	BY	DATE
A	8000040496	INITIAL RELEASE	JLA	04/20/20



ITEM NO.	PART NUMBER	DESCRIPTION	QTY.
1	MTC4100	TOP PLATE, SMALL CELL WOOD POLE	1
2	MTC4102	TOP CAP CROSSOVER	3
3	GUB-4240	1/2" X 2-1/2" X 4" GALV U-BOLT	6
4	GB-0522A	5/8" X 2-1/4" GALV BOLT KIT (A325)	3
5	MT-381-8	5/8" X 8" GALV THREADED ROD	3
6	GWF-05	5/8" GALV FLAT WASHER, 1.7OD	15
7	GWL-05	5/8" GALV LOCK WASHER	12
8	GN-05	5/8" GALV HEX NUT	12

COMMSCOPE, INC. OF NORTH CAROLINA

TOLERANCES		SAP MATERIAL MASTER	
1 PLACE .X ± .25	3 PLACE .XXX ± 0.06	SCPTRU-200-T	
2 PLACE .XX ± 0.12	ANGLES ± 2°		
FINISH GALV A123		MATERIAL A1011/A1018 GR 36, A572 GR 50	

UNLESS OTHERWISE SPECIFIED DIMENSIONS ARE IN INCHES INTERPRET PER ANSI Y 14.5M-1994	CE	NAME	DATE	TITLE
	RW	JAT132	05/12/2020	3 SECTOR MTC9313613 ANTENNA TOP MOUNT
	RV			
	AD	ES1081	05/12/2020	
	RE	BCROSS	05/12/2020	
ECN	008000040496			

SCALE	DOCUMENT NO.
1:4	SCPTRU-200-T

SIZE	WORK AREA	24	MODEL			DRAWING			SHEET
C		VERSION	STATUS	REVISION	VERSION	STATUS	REVISION	1 OF 2	
		02	RE		02	RE	A		

DENSITY		lbs/in ³
MASS	54.95	lbs
VOLUME	194.45	in ³
SURFACE AREA	1172.80	in ²
HEIGHT		
LENGTH		
WIDTH		

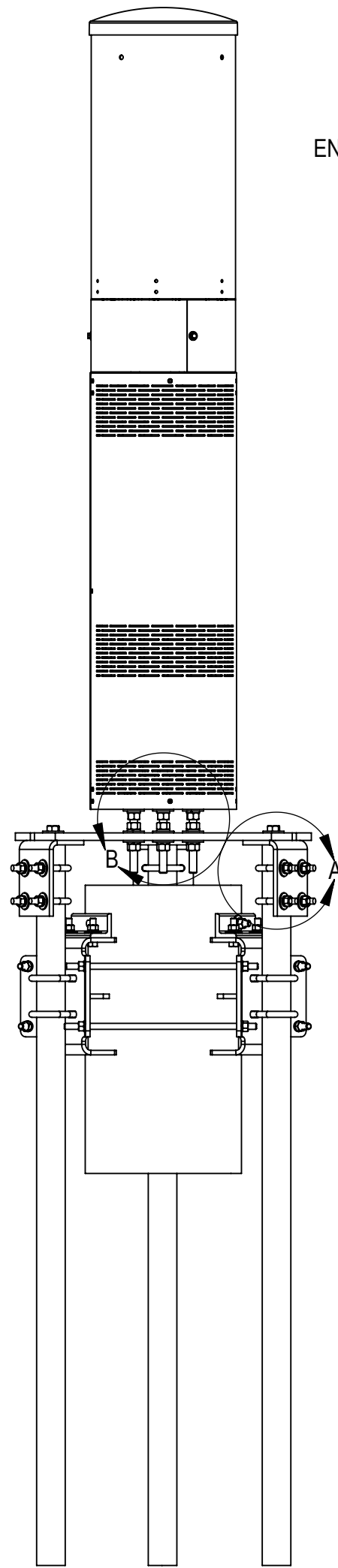
4

3

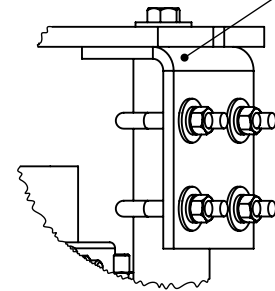
2

1

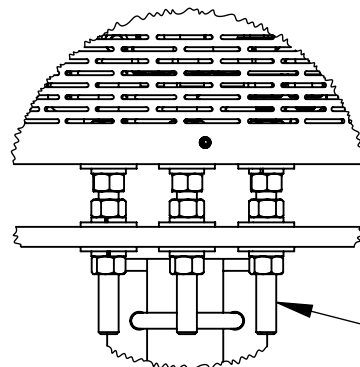
NOTES:



ENSURE HORIZONTAL OF TOP CAP IS IN CONTACT WITH PIPE



DETAIL A
SCALE 1 : 6



DETAIL B
SCALE 1 : 6

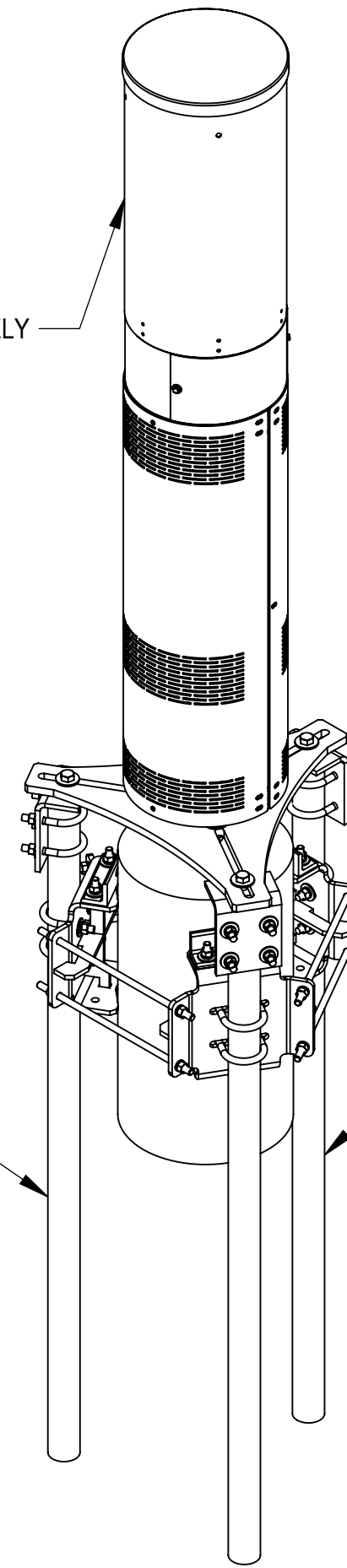
ALL THREAD USED FOR LEVELING
MAXIMUM EXPOSED ALL THREAD
LENGTH BETWEEN NUTS
IS .5 IN.


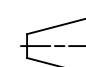
PIPE MUST BE SCH. 40

ITEMS SOLD SEPARATELY

ITEMS SOLD SEPARATELY

ITEMS SOLD SEPARATELY



COMMSCOPE, INC. OF NORTH CAROLINA				
TITLE 3 SECTOR MTC9313613 ANTENNA TOP MOUNT				
SIZE C	SCALE 1:24	DOCUMENT NO. SCPTRU-200-T		
 		DRAWING		SHEET
		VERSION 02	STATUS RE	REVISION A

© 2020 CommScope, Inc. Confidential

4

3

2

1

D

D

C

C

B

B

A

A