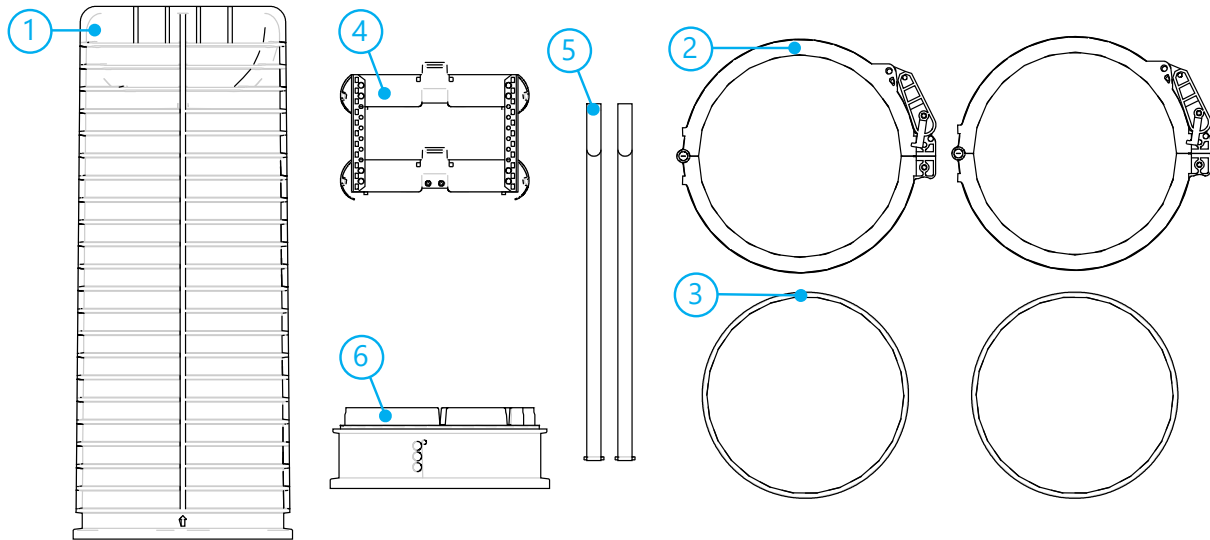


FIST-GC02-BD2BF extension kit

1 Kit contents

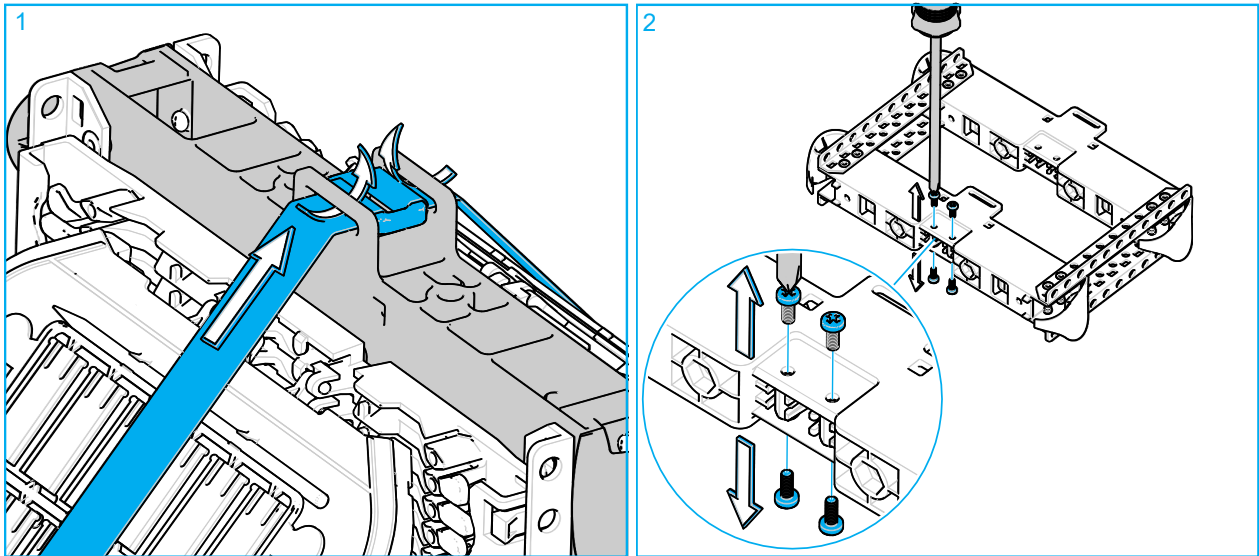


N°	Description	Qty
1	Dome BE	1
2	clamp	2
3	O-ring	2
4	UMS extension	1
5	Hook and loop fasteners	2
6	Collar	1

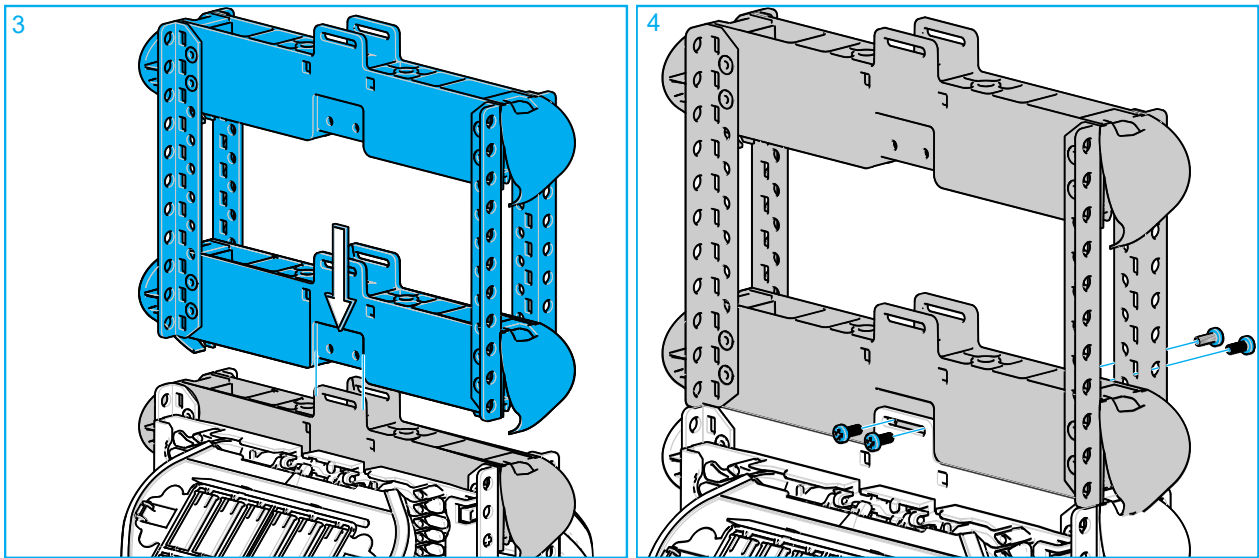
2 UMS units

This extension kit provides an additional 24UMS units (2 already free on the closure +22 new) to each side.

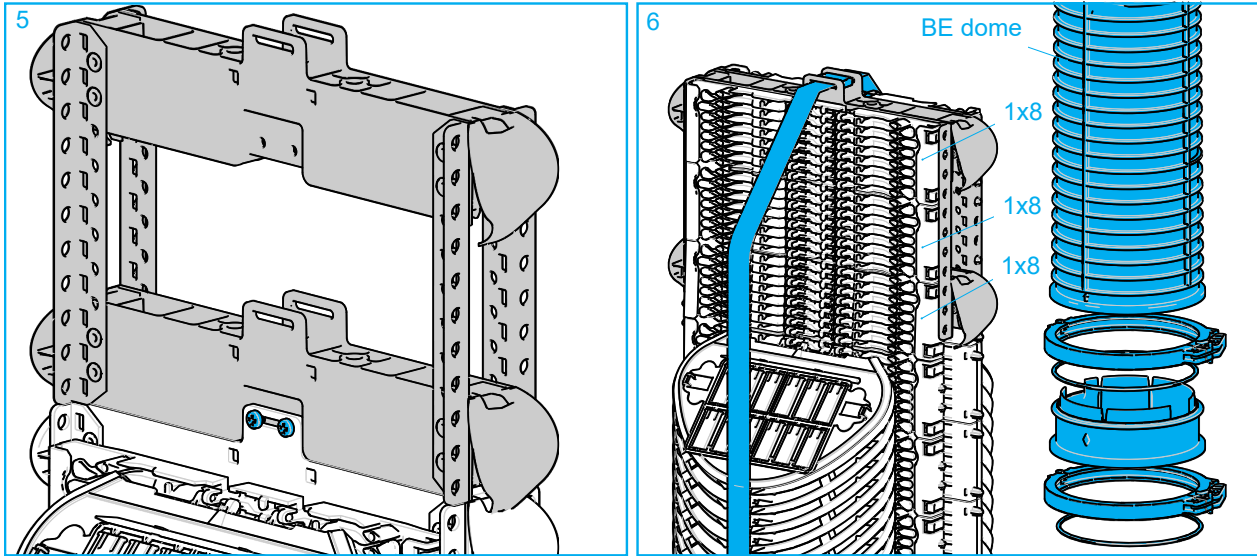
3 Install the BD2BF UMS extension.



- 1 Remove the current hook and loop fasteners.
- 2 Loosen the 4 screws of the UMS extension and put these aside.



- 3 Position the UMS extension on the top bracket as shown.
- 4 Insert the 4 screws again and secure.



- 5 UMS extension installed.
- 6 3 1x8 grooveplates can now be added (24 UMS units) per side. These grooveplates are not a part of the kit. Install the new hook and loop fasteners, seals, dome, collar and clamps.