

FACT FRAME

INSTALLATION INSTRUCTION: Side Panels Cross Connect

COMMSCOPE®

FACT FRAME SIDE PANELS CROSS CONNECT

Contents

1.	General product information	2	5.	Side Panels Fixation	4
2.	Warnings and caution	2	6.	Trade-marks	8
3.	Kit Content	2	7.	Contact Information	8
4.	Side Panels Positioning	3			

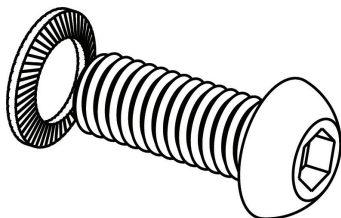
1. General product information

The cross connect side panel kit includes two side panels for the FACT cross connect frame.

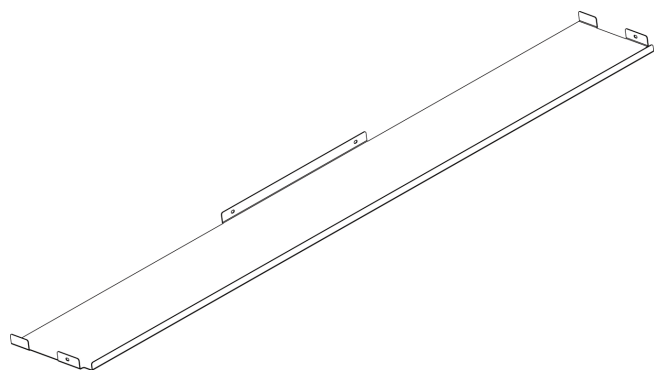
2. Warnings and caution

- Fiber optic cables may be damaged if bent or curved to a radius that is less than the recommended minimum bend radius. Always observe the recommended bend radius limit when installing fiber optic cables and patch cords.
- Exposure to laser radiation can seriously damage the retina of the eye. Do not look into the ends of any optical fiber. Do not assume the laser power is turned off or that the fiber is disconnected at the other end.

3. Kit Content

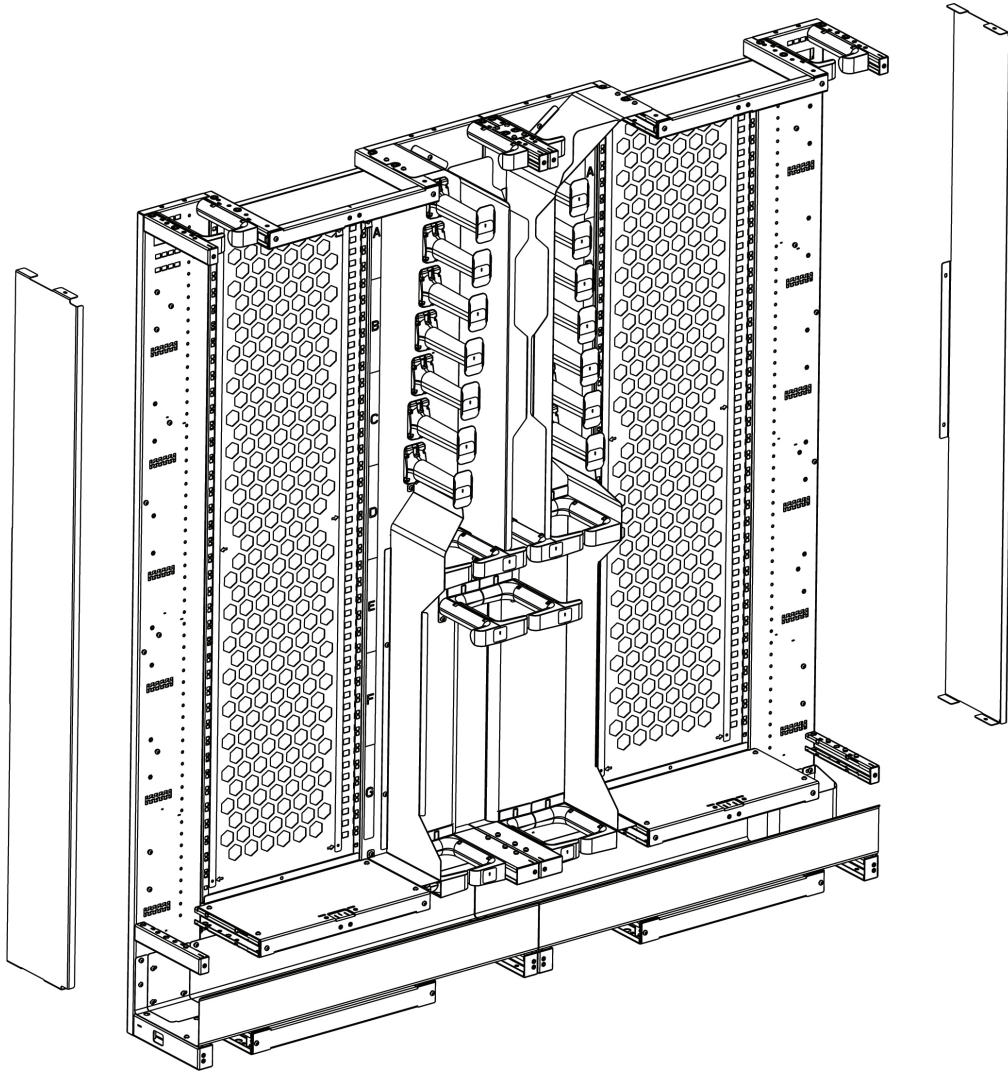


8x M6 Bolt + Washer



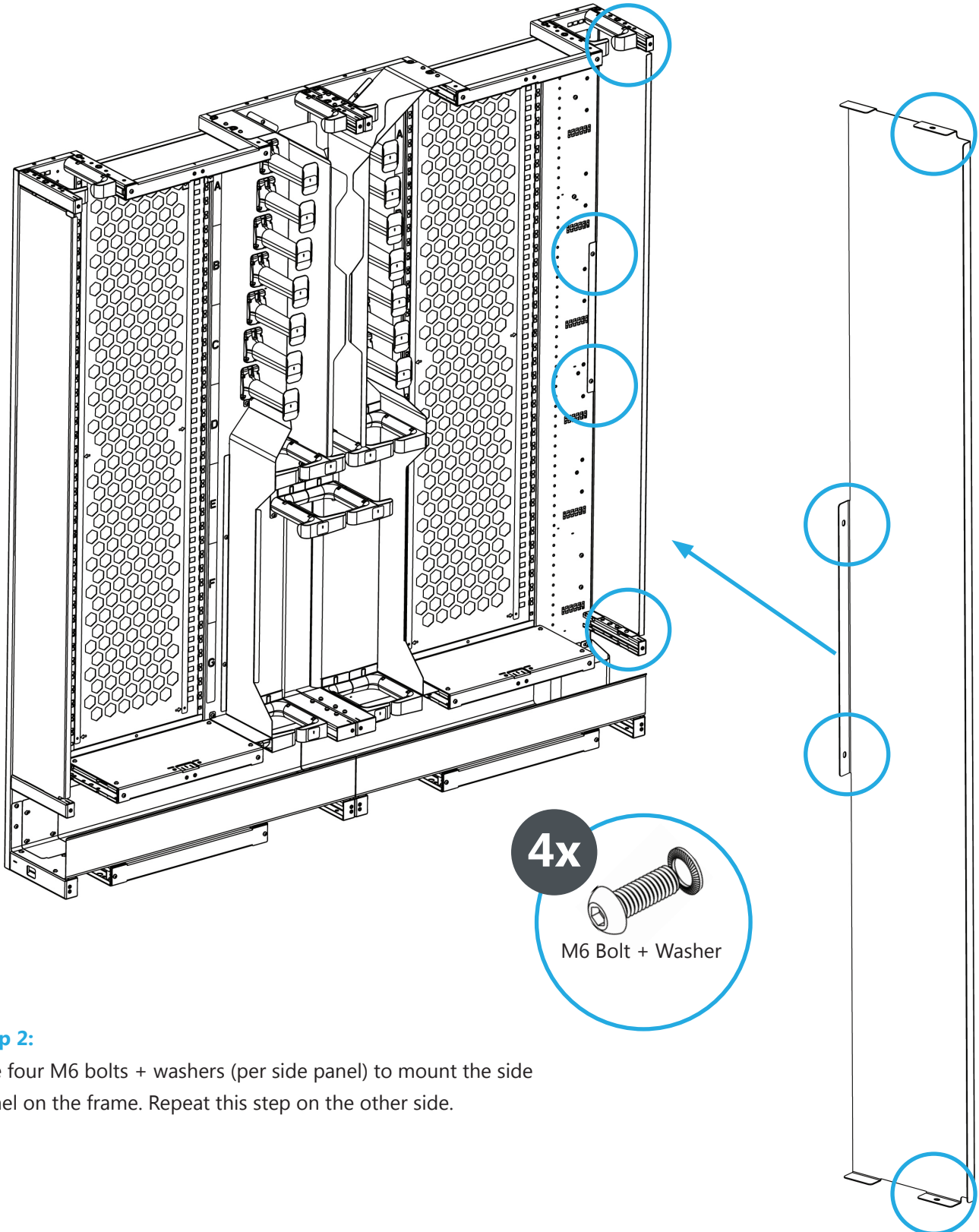
2x Side Panel CC

4. Side Panels Positioning - Step 1



Step 1: Take the side panel and position them according to the side that they have to be placed.

5. Side Panels Fixation - Step 2



Step 2:

Use four M6 bolts + washers (per side panel) to mount the side panel on the frame. Repeat this step on the other side.

6. Trade-marks:

All trademarks identified by ® or ™ are registered trademarks or trademarks, respectively, of CommScope, Inc. This document is for planning purposes only and is not intended to modify or supplement any specifications or warranties relating to CommScope products or services. CommScope is committed to the highest standards of business integrity and environmental sustainability, with a number of CommScope's facilities across the globe certified in accordance with international standards, including ISO9001, TL 9000, and ISO 14001. Further information regarding CommScope's commitment can be found at:
www.commscope.com/About-Us/Corporate-Responsibilityand-Sustainability.

7. Contact Information:

Visit our website or contact your local CommScope representative for more information.

For technical assistance, customer service, or to report any missing/damaged parts, visit us at:
<http://www.commscope.com/SupportCenter>

This product is covered by one or more U.S. patents or their foreign equivalents. For patents, see
www.commscope.com/ProductPatent/ProductPatent.aspx

© 2019 Commscope,
Inc. All Rights Reserved