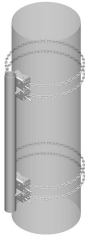


# CM-H30-63

---



Heavy Duty Chain Mount Kit, 8 ft chain, includes pipe

## Product Classification

**Product Type** Chain mount kit

## General Specifications

**Chains, quantity** 4

**Pipe, quantity** 1

**Sectors, quantity** 1

## Dimensions

**Height** 152.4 mm | 6 in

**Width** 203.2 mm | 8 in

**Length** 1,600.2 mm | 63 in

**Chain Length** 2,400.3 mm | 94.5 in

**Pipe Length** 1,600.2 mm | 63 in

**Mounting Diameter, maximum** 762 mm | 30 in

**Mounting Diameter, minimum** 203.2 mm | 8 in

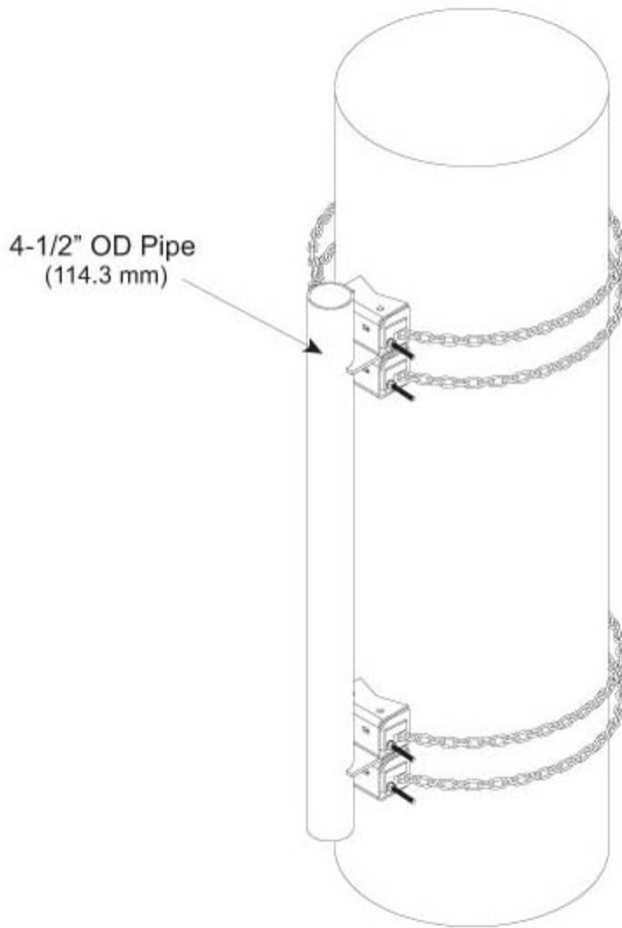
**Pipe Outer Diameter** 114.3 mm | 4.5 in

**Mounting Circumference, maximum** 2,392.68 mm | 94.2 in

**Mounting Circumference, minimum** 635 mm | 25 in

# CM-H30-63

## Outline Drawing



## Material Specifications

**Material Type** Hot dip galvanized steel

## Mechanical Specifications

**Wind Rating** 125 mph (BWS) at 100 ft AGL

**Wind Rating Criteria** One 8 ft standard microwave antenna, with radome and stiff arm

**Wind Rating Test Method** TIA/EIA-222

## Packaging and Weights

**Included** Chains | Pipe mounts

# CM-H30-63

---

**Packaging quantity** 1  
**Weight, net** 52.9 kg | 116.624 lb

## Regulatory Compliance/Certifications

Agency	Classification
ISO 9001:2015	Designed, manufactured and/or distributed under this quality management system

## Included Products

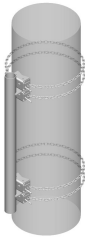
- CM-H30-B – Heavy Duty Chain Mount Kit, 8 ft chain
- MT-395 – Standard Pipe Mount, 4-1/2 in OD x 63 in

## \* Footnotes

**Wind Rating** BWS—Base Wind Speed; FBC—Florida Building Code

# CM-H30-B

---



## Heavy Duty Chain Mount Kit, 8 ft chain

### Product Classification

**Product Type** Chain mount kit

### General Specifications

**Chains, quantity** 4

**Pipe, quantity** 0

**Sectors, quantity** 1

### Dimensions

**Height** 152.4 mm | 6 in

**Width** 203.2 mm | 8 in

**Length** 203.2 mm | 8 in

**Chain Length** 2,400.3 mm | 94.5 in

**Mounting Diameter, maximum** 762 mm | 30 in

**Mounting Diameter, minimum** 203.2 mm | 8 in

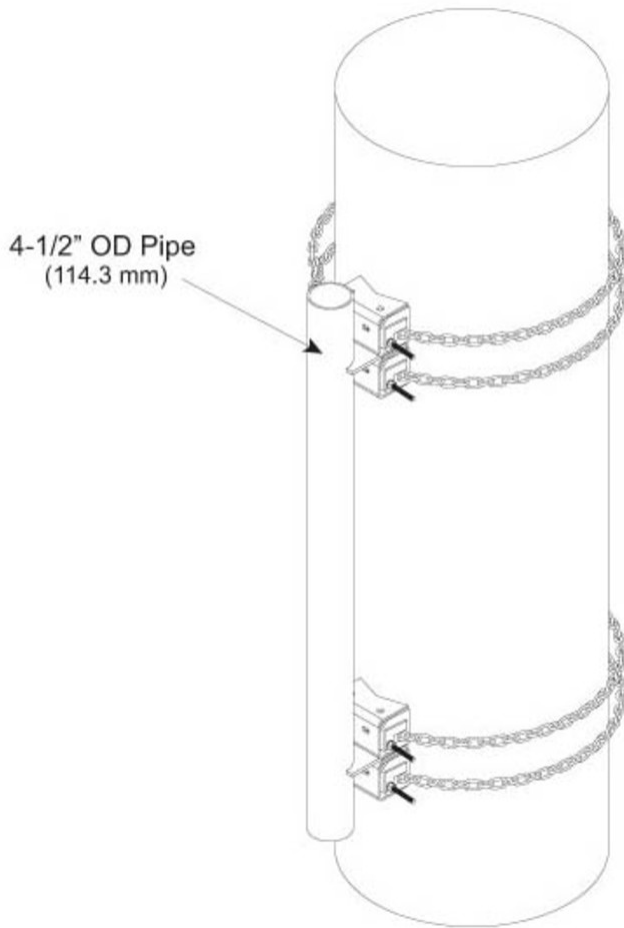
**Pipe Outer Diameter** 114.3 mm | 4.5 in

**Mounting Circumference, maximum** 2,392.68 mm | 94.2 in

**Mounting Circumference, minimum** 635 mm | 25 in

# CM-H30-B

## Outline Drawing



## Material Specifications

**Material Type** Hot dip galvanized steel

## Mechanical Specifications

**Wind Rating** 125 mph (BWS) at 100 ft AGL

**Wind Rating Criteria** One 8 ft standard microwave antenna, with radome and stiff arm

**Wind Rating Test Method** TIA/EIA-222

## Packaging and Weights

**Included** Chains

# CM-H30-B

---

**Packaging quantity** 1  
**Weight, net** 23.6 kg | 52.029 lb

## Regulatory Compliance/Certifications

<b>Agency</b>	<b>Classification</b>
ISO 9001:2015	Designed, manufactured and/or distributed under this quality management system

## \* Footnotes

**Wind Rating** BWS—Base Wind Speed; FBC—Florida Building Code

# MT-395

---



Standard Pipe Mount, 4-1/2 in OD x 63 in

## Product Classification

**Product Type** Pipe mount

## General Specifications

**Mounting** Saddle mounts

**Note** One 4 ft microwave antenna per sector, with antenna stiff arm

**Pipe, quantity** 1

**Tower Taper** Non-tapered

## Dimensions

**Height** 177.8 mm | 7 in

**Width** 127 mm | 5 in

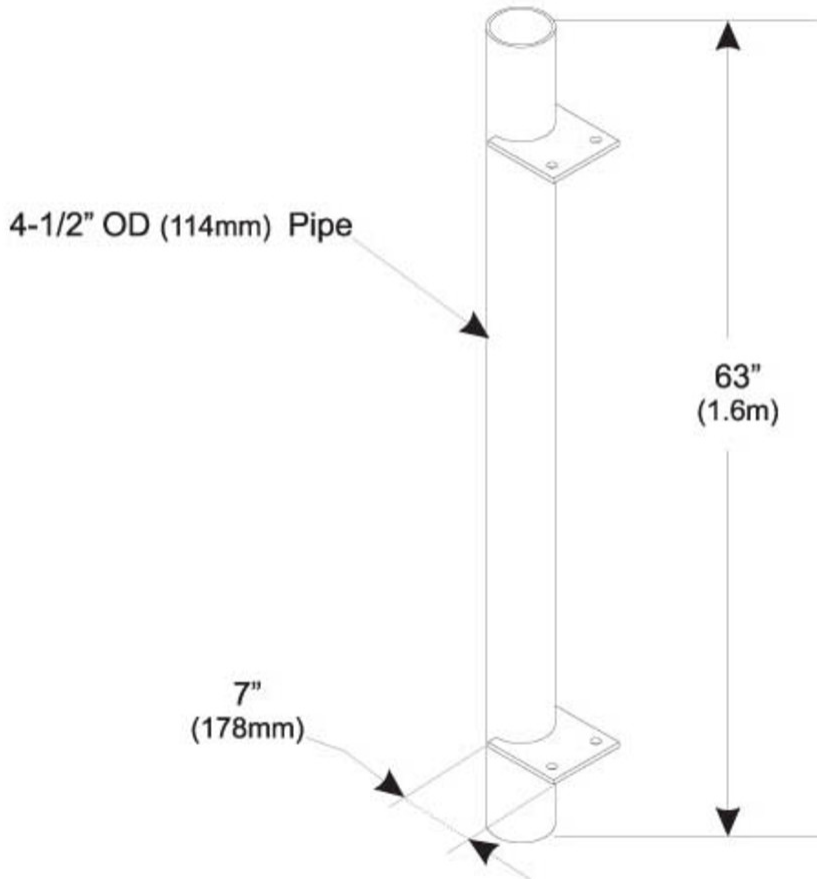
**Length** 1,600.2 mm | 63 in

**Pipe Length** 1,600.2 mm | 63 in

**Pipe Outer Diameter** 114.3 mm | 4.5 in

# MT-395

## Outline Drawing



## Material Specifications

**Material Type** Hot dip galvanized steel

## Mechanical Specifications

**Wind Rating** 90 mph (BWS) at 150 ft AGL

**Wind Rating Test Method** TIA/EIA-222

## Packaging and Weights

**Included** Pipe mounts

**Packaging quantity** 1



# MT-395

---

**Weight, net** 29.3 kg | 64.595 lb

## Regulatory Compliance/Certifications

<b>Agency</b>	<b>Classification</b>
ISO 9001:2015	Designed, manufactured and/or distributed under this quality management system

## \* Footnotes

**Wind Rating** BWS—Base Wind Speed; FBC—Florida Building Code