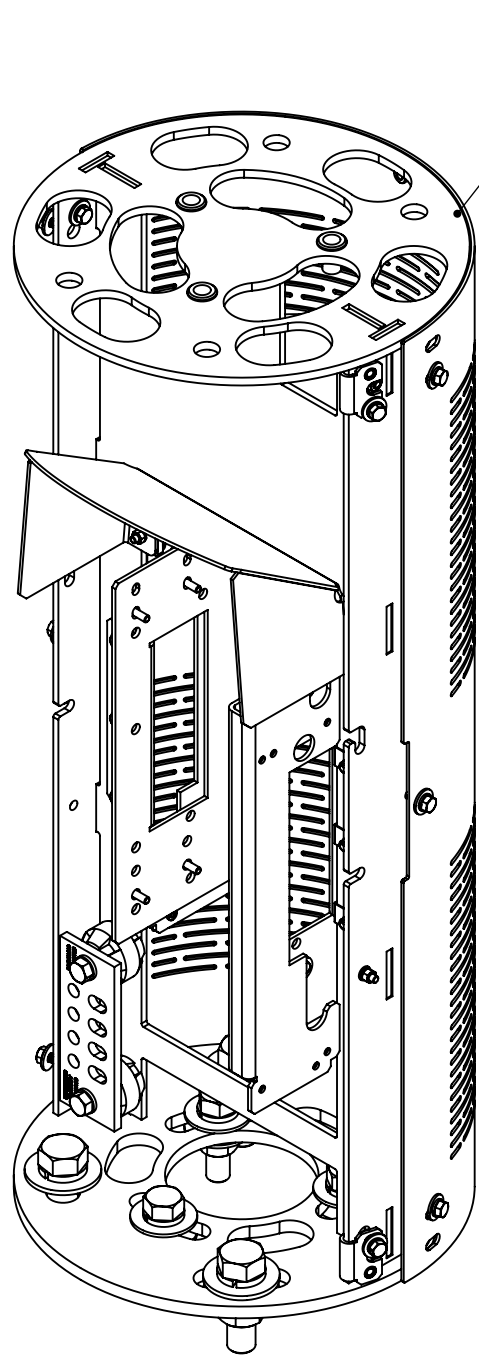


NOTES:

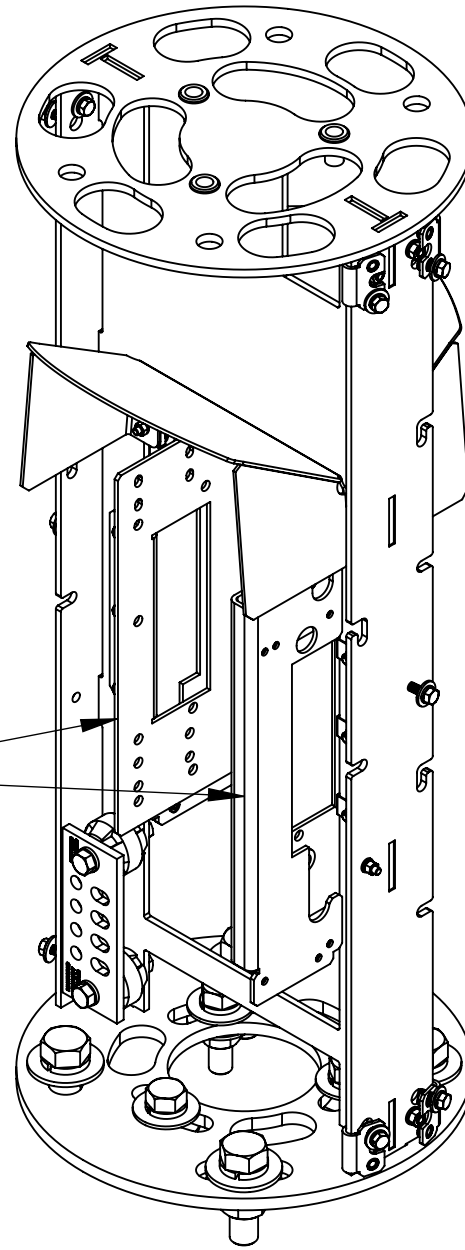
- 1.0 GENERAL NOTES
  - 1.1 NO TOLERANCES
- 2.0 DESIGN NOTES
  - 2.1 THIS DOCUMENT IS FOR THE INSTALLATION OF AWHQN NOKIA RADIO AND THE POWER SUPPLY UNIT
- 3.0 MANUFACTURING/SPECIAL REQUIREMENTS
  - 3.1 DISCARD ANY UNUSED HARDWARE
- 4.0 TEST
- 5.0 PACKAGING

# POLETOP 12" 860664329-AMK-001 INSTALLATION INSTRUCTIONS

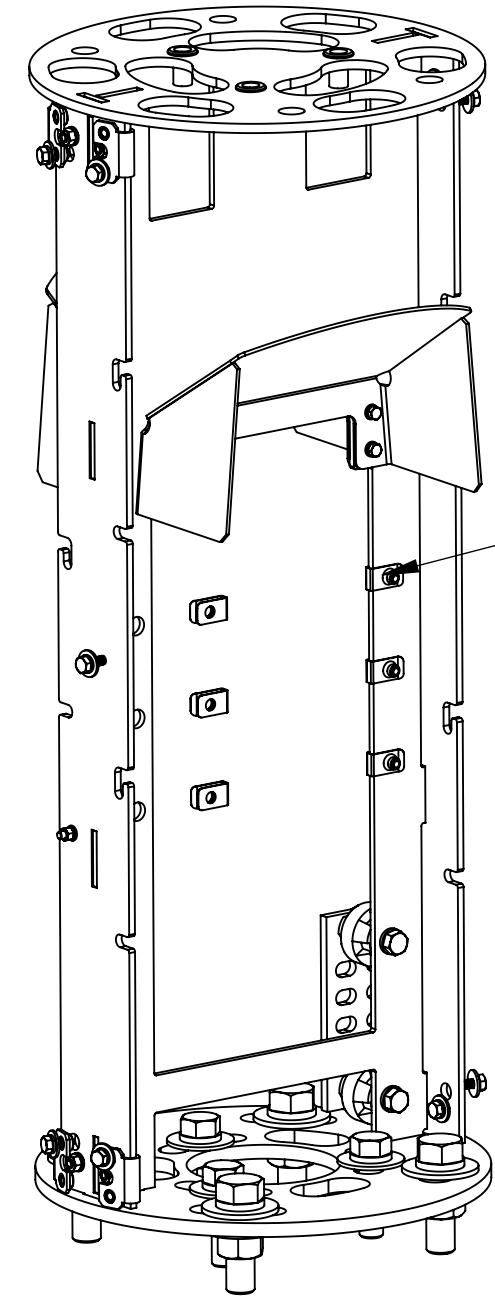
REVISIONS				
REV.	CMO	DESCRIPTION	BY	DATE
A	40143355CMO	INITIAL RELEASE	AK1101	02/16/22



**STEP 1  
REMOVE COVERS AND  
HARDWARE**



**STEP 2  
REMOVE OLD BRACKETS  
AND HARDWARE**



**STEP 3  
REPLACE CLIP NUTS**

ITEM NO	PART NUMBER	DESCRIPTION	QTY
1	SSC-760241465N40X	12IN PT NOKIA CONFIG	1
2	86064329-AMK-001	NOKIA AWHQN PSU BRACKET KIT	1

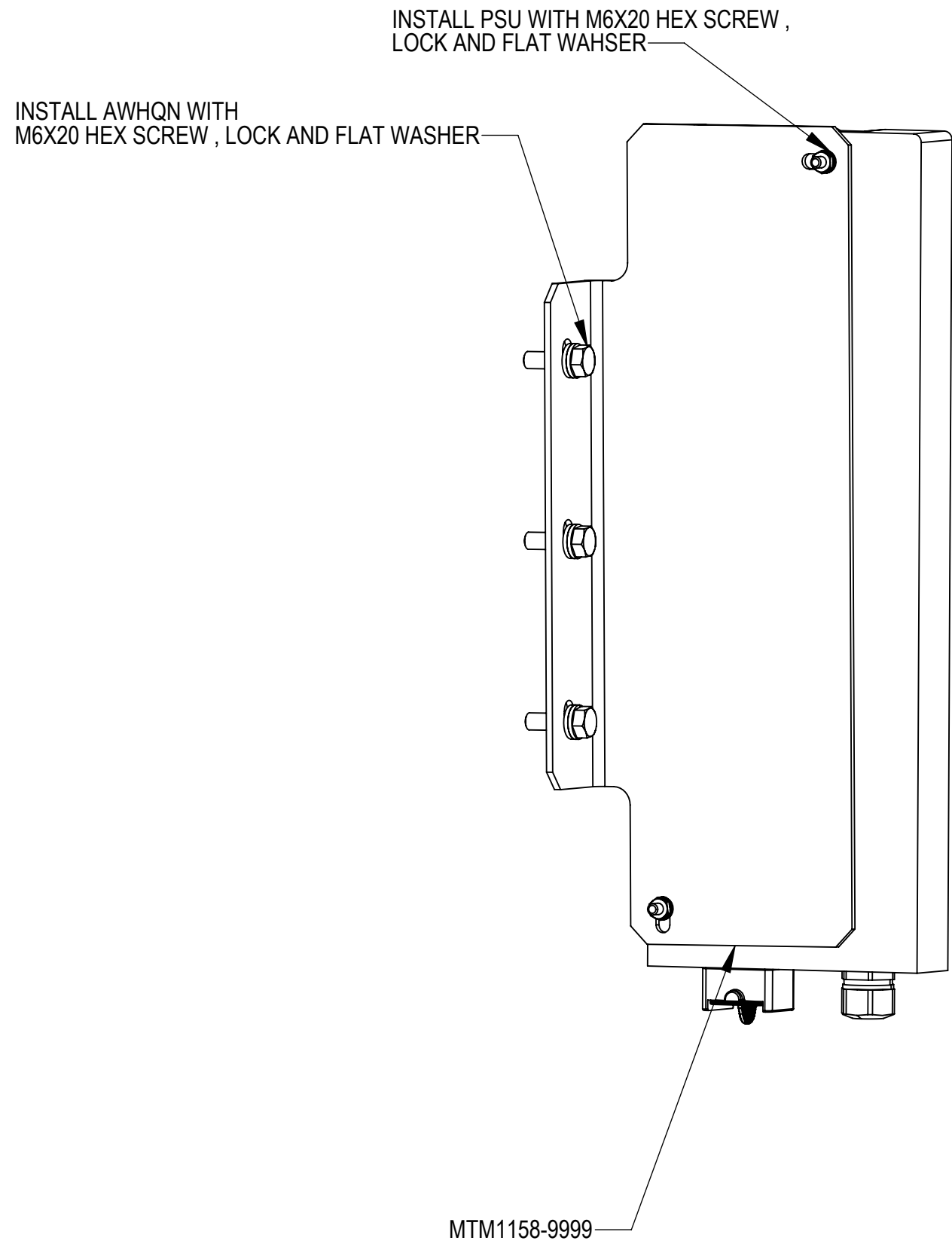
DENSITY		lbs/in <sup>3</sup>
MASS	69.19	lbs
VOLUME	813.62	in <sup>3</sup>
SURFACE AREA		in <sup>2</sup>
HEIGHT	N/A	
LENGTH	N/A	
WIDTH	N/A	

COMMSCOPE, INC. OF NORTH CAROLINA										
TOLERANCES					SAP MATERIAL MASTER					
1 PLACE .X ± N/A			3 PLACE .XXX ±		PT12-AWHQN-INST					
2 PLACE .XX ±			ANGLES ±							
FINISH N/A					MATERIAL N/A					
UNLESS OTHERWISE SPECIFIED DIMENSIONS ARE IN INCHES INTERPRET PER ANSI Y 14.5M-1994			NAME	DATE	TITLE PT12, AWHQN INSTALL INSTRUCTIONS					
			CE	MMCFALL						09/25/2020
			RW	AK1101						03/22/2022
			RV							
			AD	CA1022						03/22/2022
RE	AK1101	03/22/2022	SCALE 1:5		DOCUMENT NO. PT12-AWHQN-INST					
ECN	40143355CMO		SIZE		WORK AREA	INSL	MODEL		DRAWING	
C		⊕		VERSION	STATUS	REVISION	VERSION	STATUS	REVISION	SHEET
				00	RE	A	00	RE	A	1 OF 3

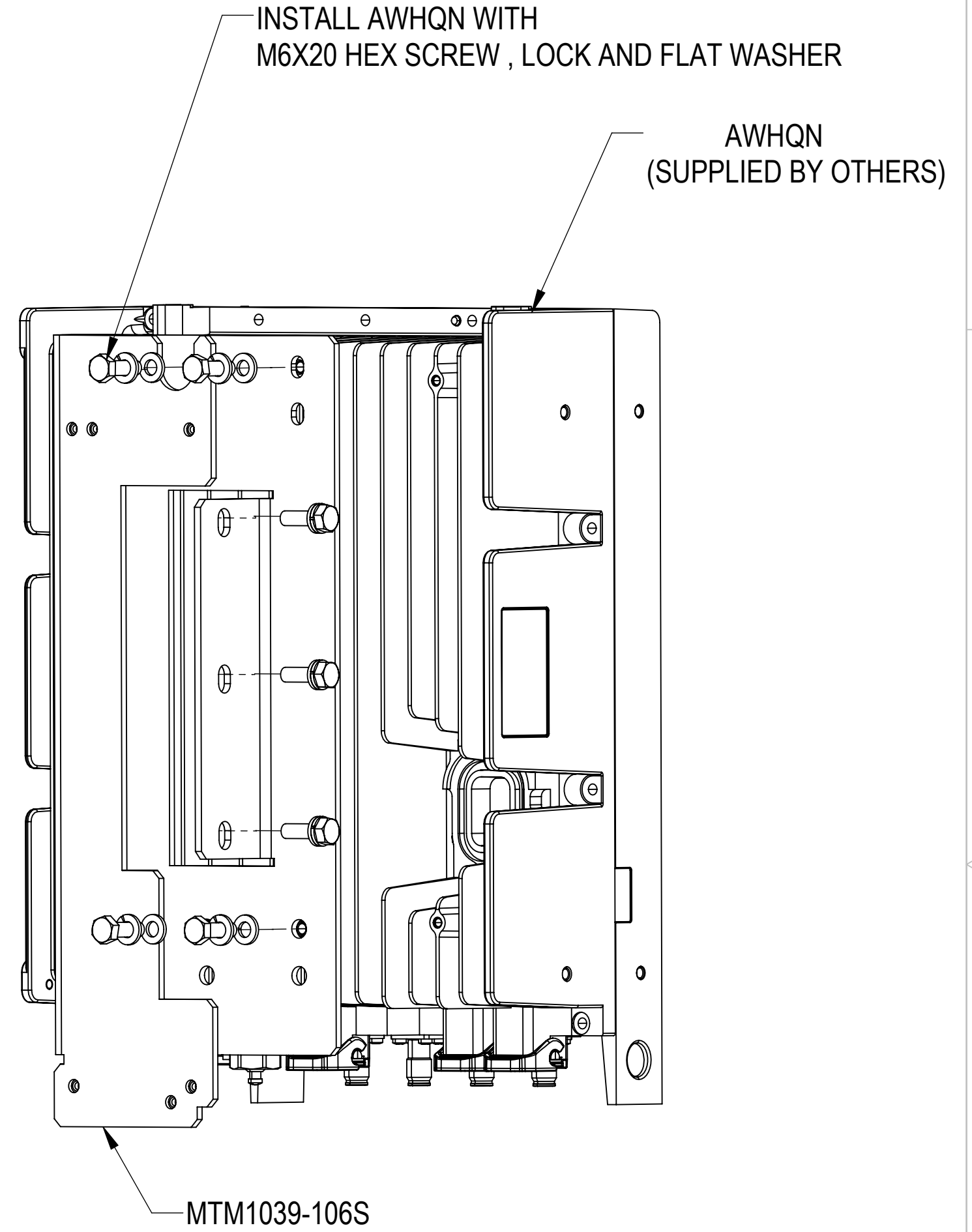
NOTES:

- 1. PLEASE USE THE SCREWS PROVIDED IN THE KIT 860664329-AMK-001 (SEE NOTE 2).
- 2. IF THE SCREW ON THE PSU DOES NOT ACCOMODATE THE WASHERS AND BOLT
- 3. DISCARD ANY UNSUED HARDWARE


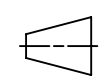
**STEP 4**  
**MOUNT PSU TO BRACKET MTM1158-9999.**  
**MOUNT AWHQN TO BRACKET MTM1039-106S.**

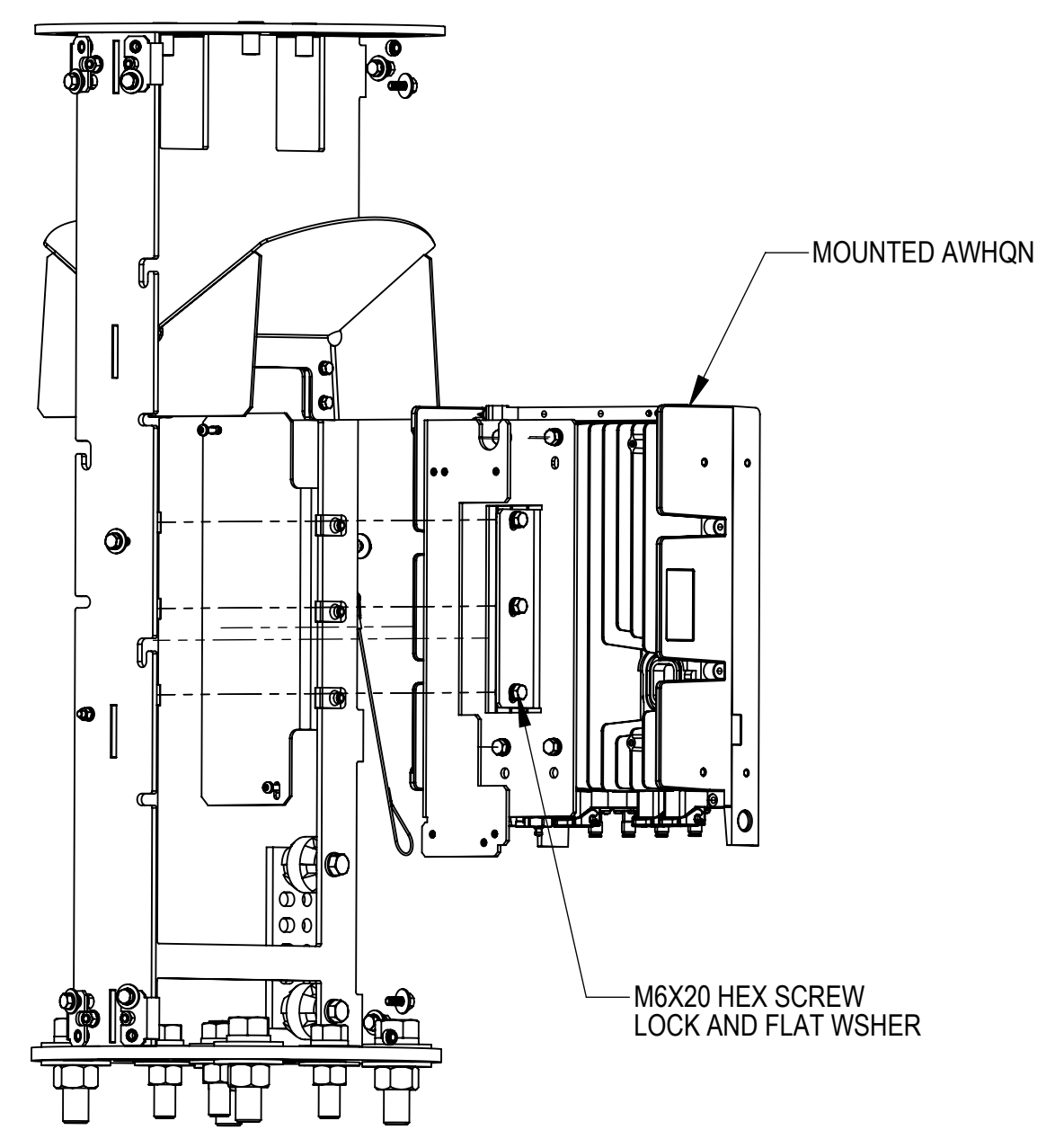
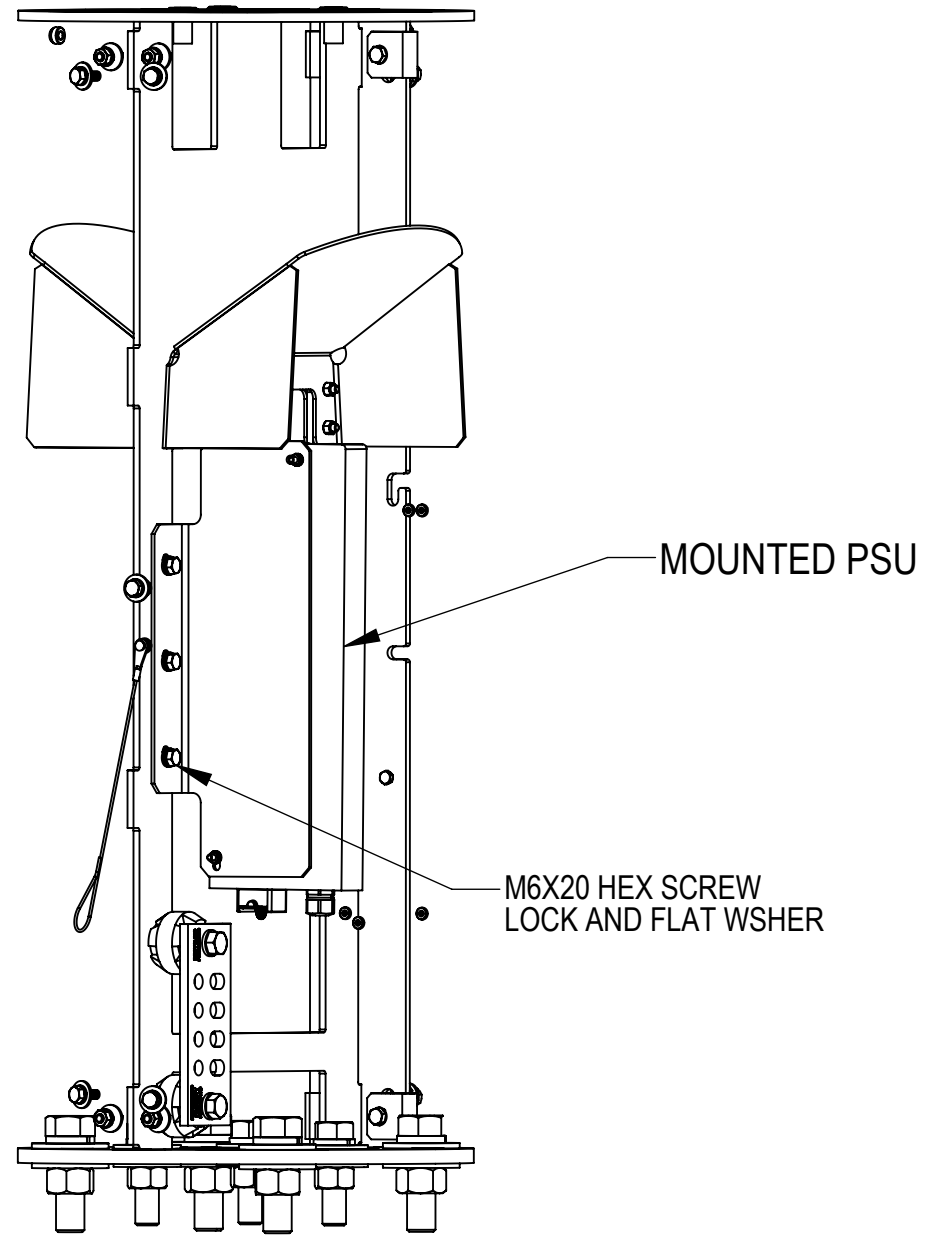


**PSU REMOVED FROM RADIO FOR EXTERNAL MOUNTING**



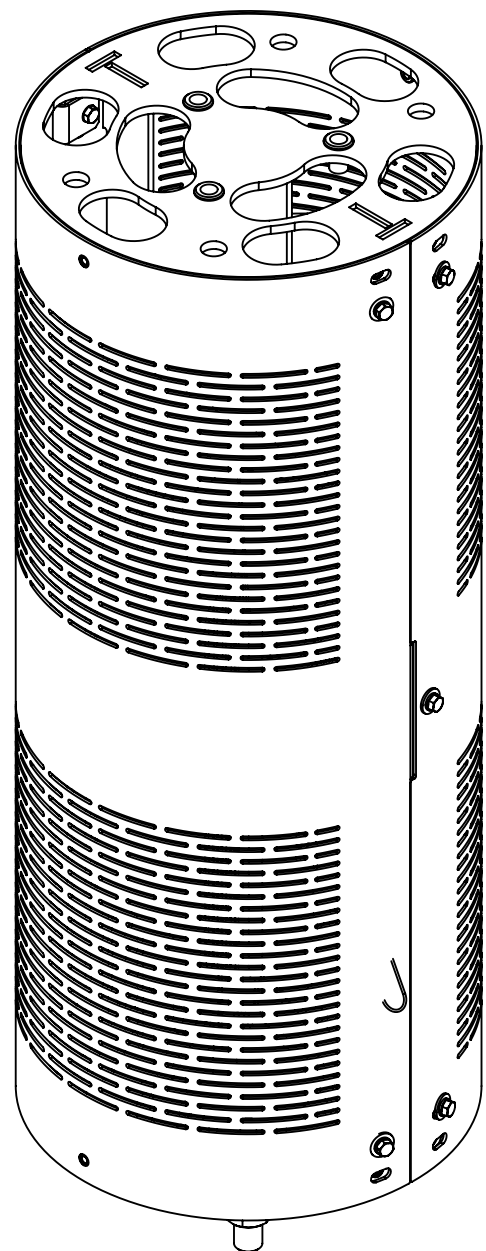
**NOKIA AWHQN RADIO**

COMMSCOPE, INC. OF NORTH CAROLINA				
TITLE PT12, AWHQN INSTALL INSTRUCTIONS				
SIZE <b>C</b>	SCALE <b>1:5</b>	DOCUMENT NO. <b>PT12-AWHQN-INST</b>		
 		DRAWING		SHEET 2 OF 3
		VERSION 00	STATUS RE	



**STEP 5**  
INSTALL MOUNTED PSU TO POLETOP 12" FRAME

**STEP 6**  
INSTALL MOUNTED AWHQN TO PT12 ON THE REVERSE SIDE



**STEP 7**  
RE-INSTALL COVERS

COMMSCOPE, INC. OF NORTH CAROLINA				
TITLE PT12, AWHQN INSTALL INSTRUCTIONS				
SIZE <b>C</b>	SCALE <b>1:5</b>	DOCUMENT NO. PT12-AWHQN-INST		
		DRAWING		SHEET 3 OF 3
		VERSION 00	STATUS RE	