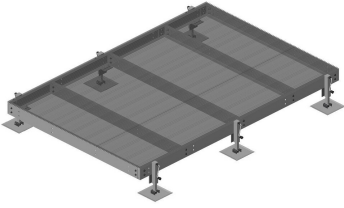


EQ-P1020-AL



Equipment Platform, 10 ft x 20 ft, base with eight adjustable legs

Product Classification

Product Type Equipment platform system

General Specifications

Legs, quantity 8

Dimensions

Height 685.8 mm | 27 in

Width 3048 mm | 120 in

Length 6096 mm | 240 in

Material Specifications

Material Type Hot dip galvanized steel

Mechanical Specifications

Load Capacity Up to 10,000 lb (4536 kg) loading

Packaging and Weights

Included Frame | Grating | Hardware | Legs

Packaging quantity 1

Weight, net 1,526.8 kg | 3,366.014 lb

Regulatory Compliance/Certifications

Agency

ISO 9001:2015

Classification

Designed, manufactured and/or distributed under this quality management system

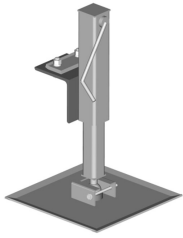


EQ-P1020-AL

Included Products

- EQ-P-AL - Equipment Platform Adjustable Leg
- EQ-P1020-B - Equipment Platform, 10 ft x 20 ft, base only

EQ-P-AL



Equipment Platform Adjustable Leg

Product Classification

Product Type Equipment platform system

Dimensions

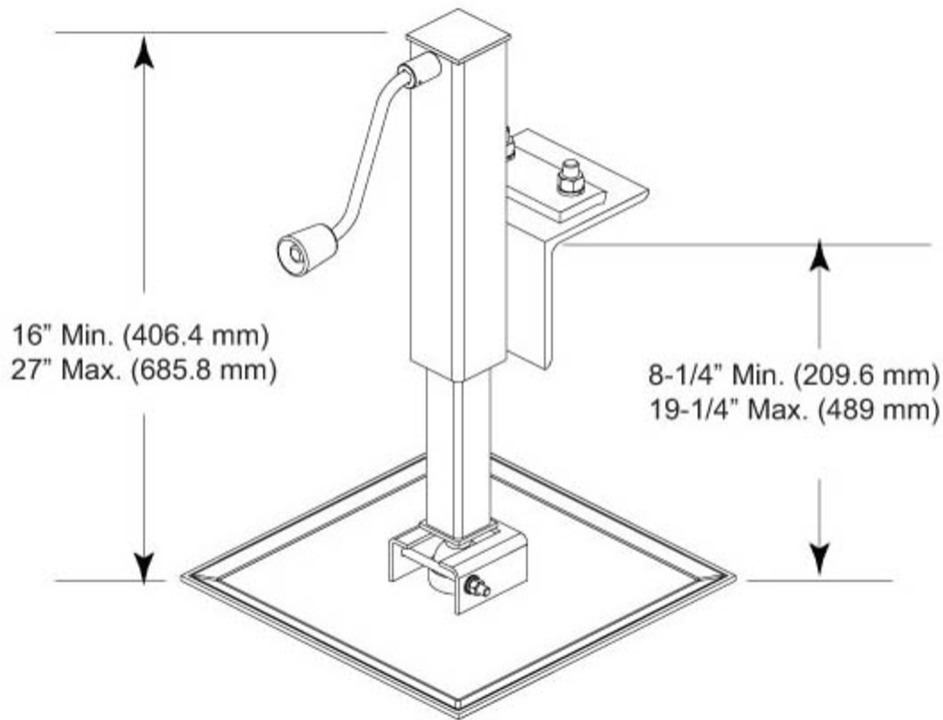
Height 685.8 mm | 27 in

Width 406.4 mm | 16 in

Length 406.4 mm | 16 in

EQ-P-AL

Outline Drawing



Material Specifications

Material Type Hot dip galvanized steel

Packaging and Weights

Included Legs

Packaging quantity 1

Weight, net 20.4 kg | 44.974 lb

Regulatory Compliance/Certifications

Agency

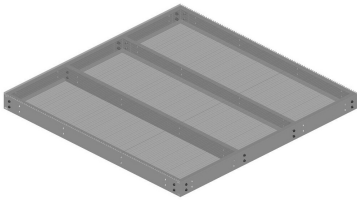
ISO 9001:2015

Classification

Designed, manufactured and/or distributed under this quality management system



EQ-P1020-B



Equipment Platform, 10 ft x 20 ft, base only

Product Classification

Product Type Equipment platform system

General Specifications

Legs, quantity 0

Dimensions

Height 203.2 mm | 8 in

Width 3048 mm | 120 in

Length 6096 mm | 240 in

Material Specifications

Material Type Hot dip galvanized steel

Mechanical Specifications

Load Capacity Up to 10,000 lb (4536 kg) loading

Packaging and Weights

Included Frame | Grating | Hardware

Packaging quantity 1

Weight, net 1,363.5 kg | 3,005.999 lb

Regulatory Compliance/Certifications

Agency

ISO 9001:2015

Classification

Designed, manufactured and/or distributed under this quality management system

