

NOTES:

GENERAL

- 1.1 ALL METRIC DIMENSIONS ARE IN BRACKETS
- 1.2 MARK PART WITH IDENTIFICATION NUMBER

2. DESIGN NOTES

- 2.1 FITS TOWER LEGS 2" TO 8" OD, UPTO 8' 60 DEGREE ANGLE OR UPTO 6' 90 DEGREE ANGLE
- 2.2 ALL DIMENSIONS SHOWN ARE FOR REFERENCE ONLY ALL CONNECTIONS ARE ADJUSTABLE. FINAL INSTALLED APPLICATION DICTATES FINISHED DIMENSIONS.

3. MANUFACTURING/SPECIAL REQUIREMENTS

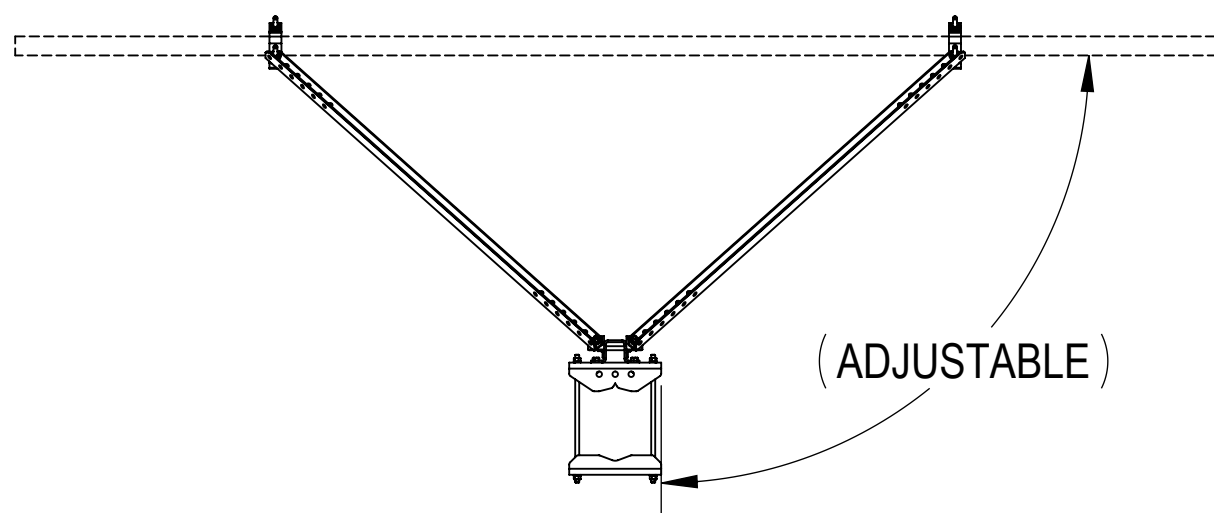
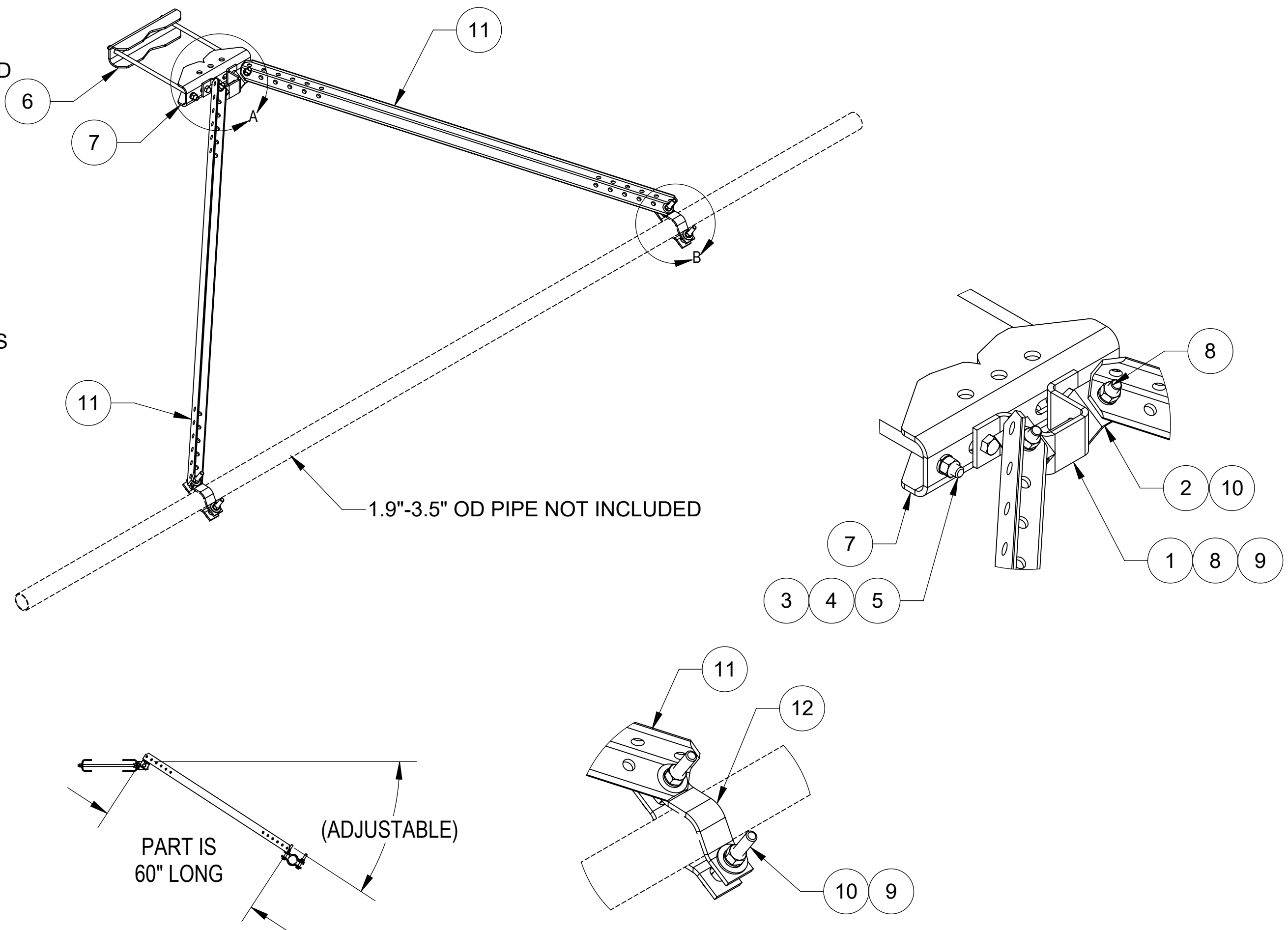
- 3.1 TIGHTEN ALL BOLTS SECURING FLAT PLATES BY THE TURN-OF-NUT METHOD. TIGHTEN ALL U-BOLTS USING TURN-OF-NUT METHOD WITH ATTENTION TO LEAVE EQUAL DISTANCE AND EQUAL FORCE ON EACH LEG OF THE U-BOLT.
- 3.2 FINISH: GALVANIZE ASTM A123

4. TEST

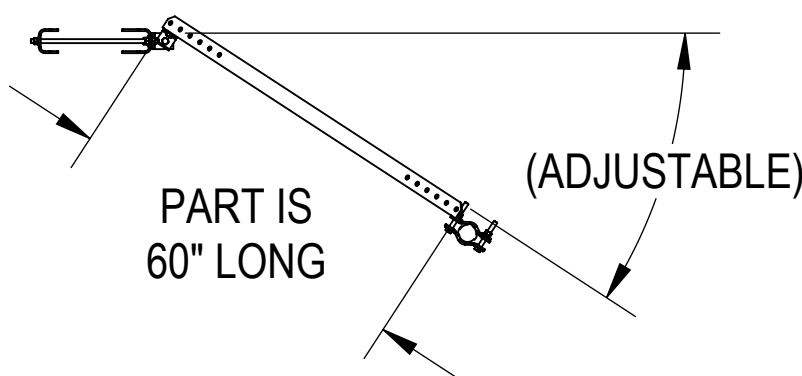
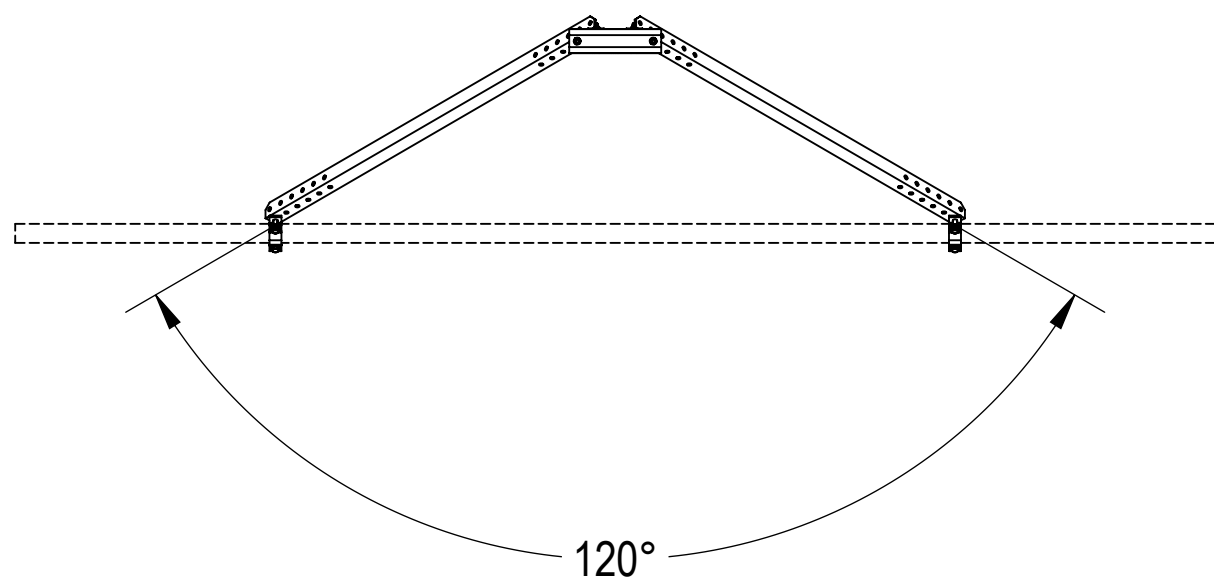
5. PACKAGING

- 5.1 PACKAGING SHALL MEET COMMSCOPE REQUIREMENTS PER DOCUMENT IS-PL-3005

REVISIONS				
REV.	ECN	DESCRIPTION	BY	DATE
A	8000028066	INITIAL RELEASE	RDLS	1/17/18
B	8000029765	ADDED DETAIL VIEWS & DIMENSIONS TO VIEWS	RJC	05/10/18
C	11410	MTC3405-0001 WAS MTC393214	RJC	6/9/2021
D	14977PC	UPDATE NOTE 3.T. CHECK BOM TABLE ITEM 3 AND 4 DESCRIPTIONS.	AZ1030	10/25/2021



UP TO ±30° AZIMUTH ADJUSTMENT OFF APEX



ITEM	PART NO.	DESCRIPTION	QTY.	WEIGHT	NOTE NO.
1	MTC393216	BRACKET, PIVOT ATTACHMENT	1	1.41 LBS	
2	MTC393211	BRACKET, PIVOT	2	0.37 LBS	
3	GN-04	1/2" GALV HEX NUT	6	0.04 LBS	
4	GWL-04	1/2" GALV LOCK WASHER	4	0.01 LBS	
5	MT37916	1/2" X 16" GALV THREADED ROD	2	0.88 LBS	
6	MTC397531	BACK BRACKET, SM-U2080LD	1	5.15 LBS	
7	MTC397532	FRONT BRACKET, SM-U2080LD	1	5.97 LBS	
8	GB-04145	1/2" X 1-1/2" GALV BOLT KIT	4	0.13 LBS	
9	GWF-04	1/2" GALV FLAT WASHER	10	0.04 LBS	
10	1204FTB	1/2" x 4" FULL THREAD GALV. BOLT	5	0.26 LBS	
11	MTC3405-0001	Angle, 60" Support Arm	2	15.37 LBS	
12	ACP10	1.5" - 3.5" O.D. CLAMP HALF	4	0.61 LBS	

DENSITY	0.28	lbs/in ³
MASS	87.60	lbs
VOLUME	308.74	in ³
SURFACE AREA		in ²
HEIGHT		
LENGTH		
WIDTH		

COMMSCOPE, INC. OF NORTH CAROLINA

TOLERANCES		SAP MATERIAL MASTER	
0 PLACE X ± .25	2 PLACE .XX ± 0.06	VSRA-TS-B	
1 PLACE .X ± 0.12	ANGLES ± 2°		
FINISH		MATERIAL	
SEE NOTES		A1011/A1018; A529	
<small>UNLESS OTHERWISE SPECIFIED DIMENSIONS ARE IN INCHES INTERPRET PER ANSI Y 14.5M-1994</small>		NAME	DATE
		CE RJC	06/10/21
		RW AZ1030	11/10/2021
		AD BCROSS	11/29/2021
RE HDAI	11/29/2021	TITLE	
ECN 14977PC		V-STABILIZER, ADJUSTABLE, SINGLE	
SIZE	Auth Group	INSL	MODEL
C			
SCALE		DOCUMENT NO.	
1:12		VSRA-TS-B	
VERSION		DRAWING	
00	RE	D	00
STATUS		REVISION	
RE	D	RE	D
SHEET		1 OF 1	