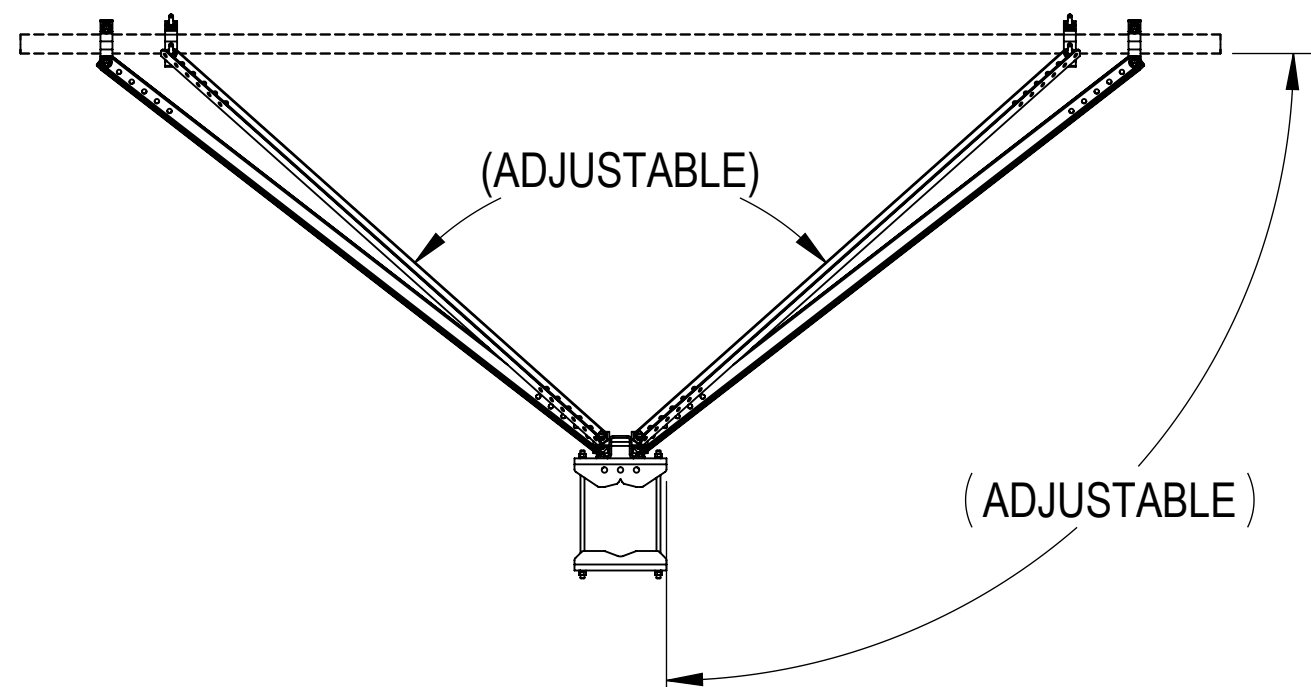


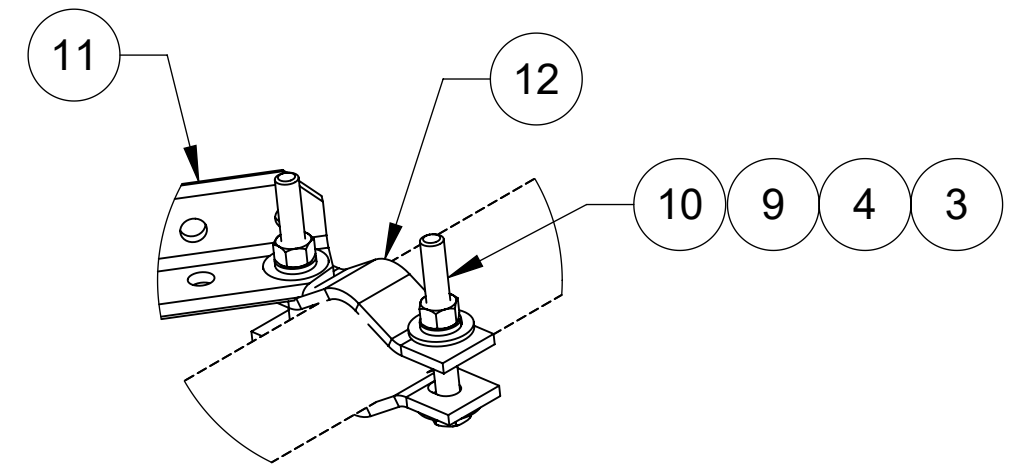
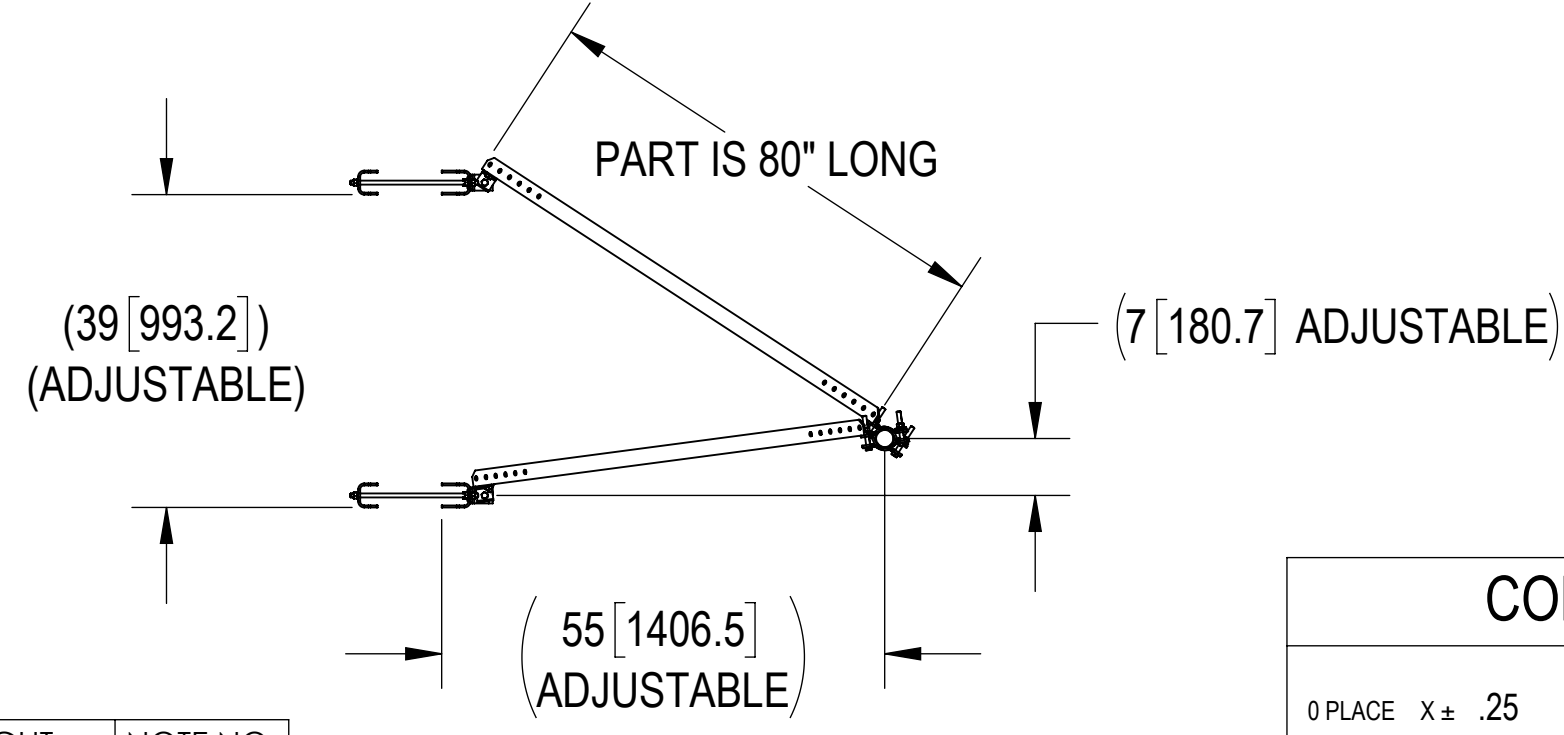
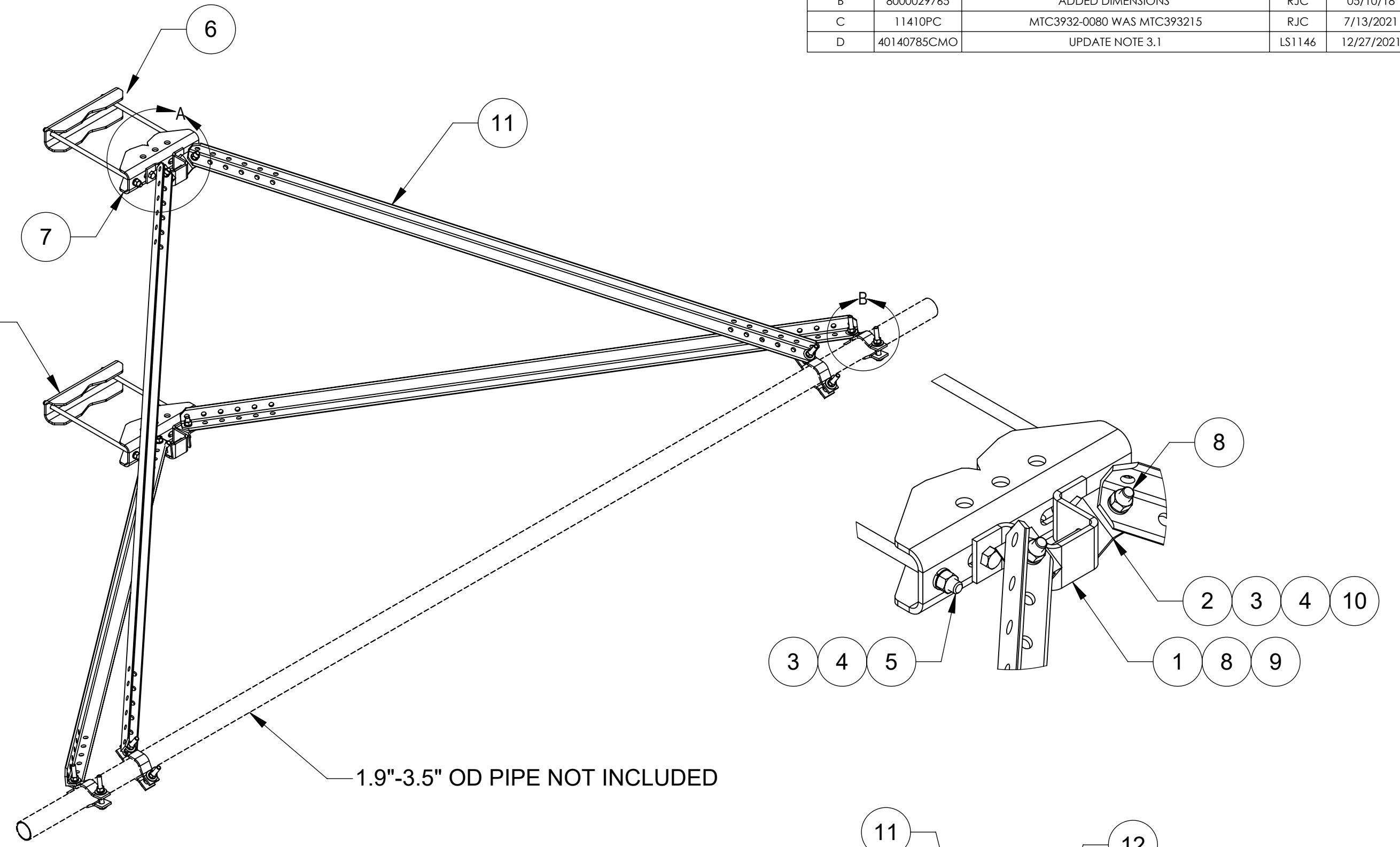
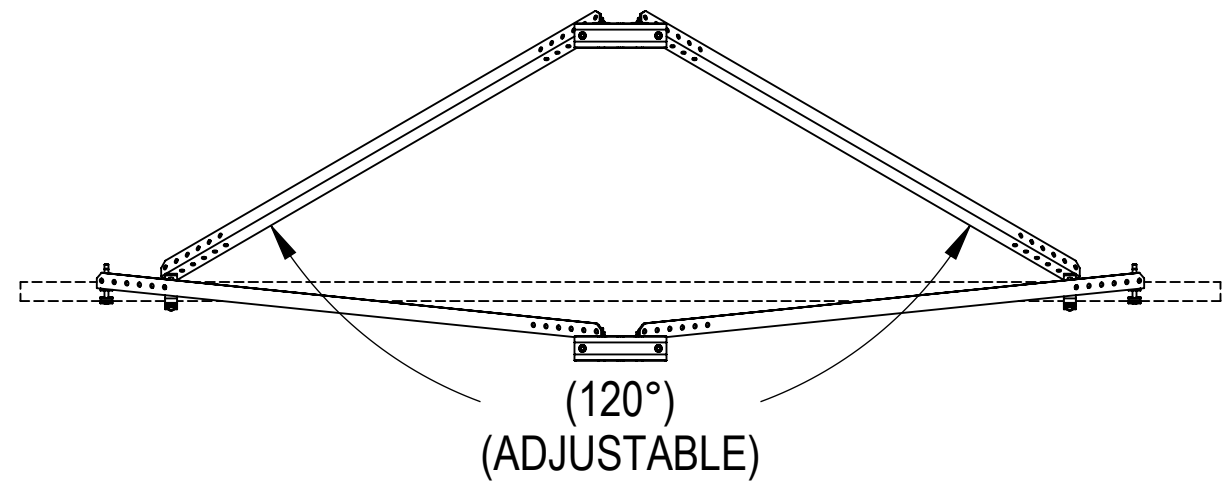
NOTES:

- 1.0 GENERAL NOTES
  - 1.1 ALL METRIC DIMENSIONS ARE IN BRACKETS
  - 1.2 MARK PART WITH IDENTIFICATION NUMBER
- 2.0 DESIGN NOTES
  - 2.1 FITS TOWER LEGS FROM 2" TO 8" OD
  - 2.2 ALL DIMENSIONS SHOWN ARE FOR REFERENCE ONLY
  - ALL CONNECTIONS ARE ADJUSTABLE. FINAL INSTALLED APPLICATION DICTATES FINISHED DIMENSIONS
- 3.0 MANUFACTURING/SPECIAL REQUIREMENTS
  - 3.1 TIGHTEN ALL BOLTS SECURING FLAT PLATES BY THE TURN-OF-NUT METHOD. TIGHTEN ALL U-BOLTS USING TURN-OF-NUT METHOD WITH ATTENTION TO LEAVE EQUAL DISTANCE AND EQUAL FORCE ON EACH LEG OF THE U-BOLT.
- 4.0 TEST
- 5.0 PACKAGING
  - 5.1 PACKAGING SHALL MEET COMMSCOPE REQUIREMENTS PER DOCUMENT IS-PL-3005

REVISIONS				
REV.	ECN	DESCRIPTION	BY	DATE
A	8000028066	INITIAL RELEASE	RDL	1/17/18
B	8000029765	ADDED DIMENSIONS	RJC	05/10/18
C	11410PC	MTC3932-0080 WAS MTC393215	RJC	7/13/2021
D	40140785CMO	UPDATE NOTE 3.1	LS1146	12/27/2021



**UP TO ±30° AZIMUTH ADJUSTMENT OFF APEX**



FOR REFERENCE ONLY, PART NUMBER SUBSTITUTIONS MAY BE MADE

ITEM	PART NO.	DESCRIPTION	QTY.	WEIGHT	NOTE NO.
1	MTC393216	BRACKET, PIVOT ATTACHMENT	2	1.41 LBS	
2	MTC393211	BRACKET, PIVOT	4	0.37 LBS	
3	GN-04	1/2" GALV HEX NUT	14	0.04 LBS	
4	GWL-04	1/2" GALV LOCK WASHER	10	0.01 LBS	
5	MT37916	1/2" X 16" GALV THREADED ROD	4	0.88 LBS	
6	MTC397531	BACK BRACKET, SM-U2080LD	2	5.15 LBS	
7	MTC397532	FRONT BRACKET, SM-U2080LD	2	5.97 LBS	
8	GB-04145	1/2" X 1-1/2" GALV BOLT KIT	8	0.13 LBS	
9	GWF-04	1/2" GALV FLAT WASHER	20	0.04 LBS	
10	1204FTB	1/2" X 4" FULL THREAD GALV. BOLT	10	0.26 LBS	
11	MTC3932-0080	ANGLE, 80° SUPPORT ARM	4	20.55 LBS	
12	ACP10	1.5" - 3.5" O.D. CLAMP HALF	8	0.61 LBS	

DENSITY	0.28	lbs/in <sup>3</sup>
MASS	195.93	lbs
VOLUME	691.76	in <sup>3</sup>
SURFACE AREA		in <sup>2</sup>
HEIGHT		
LENGTH		
WIDTH		

© 2021 CommScope, Inc. Confidential

<b>COMMSCOPE, INC. OF NORTH CAROLINA</b>											
TOLERANCES						SAP MATERIAL MASTER					
0 PLACE X ± .25			2 PLACE .XX ± 0.06			<b>VSRDUALAL-TS-B</b>					
1 PLACE .X ± 0.12			ANGLES ± 2°			MATERIAL A500; A1011/A1018					
FINISH GALV A123						TITLE <b>V-STABILIZER, ADJUSTABLE, DUAL, LARGE</b>					
UNLESS OTHERWISE SPECIFIED DIMENSIONS ARE IN INCHES INTERPRET PER ANSI Y 14.5M-1994	CE	RJC	DATE	TITLE							
	RW	LS1146	12/29/2021	SCALE DOCUMENT NO.							
	AD	VCORTEZ1	01/21/2022	<b>1:12 VSRDUALAL-TS-B</b>							
	RE	LS1146	02/08/2022	DRAWING							
	ECN 11410PC			SIZE			Auth Group			INSL	
C			Auth Group			INSL			MODEL		
00			RE			C			00		
RE			D			RE			D		
SHEET 1 OF 1											