

4

3

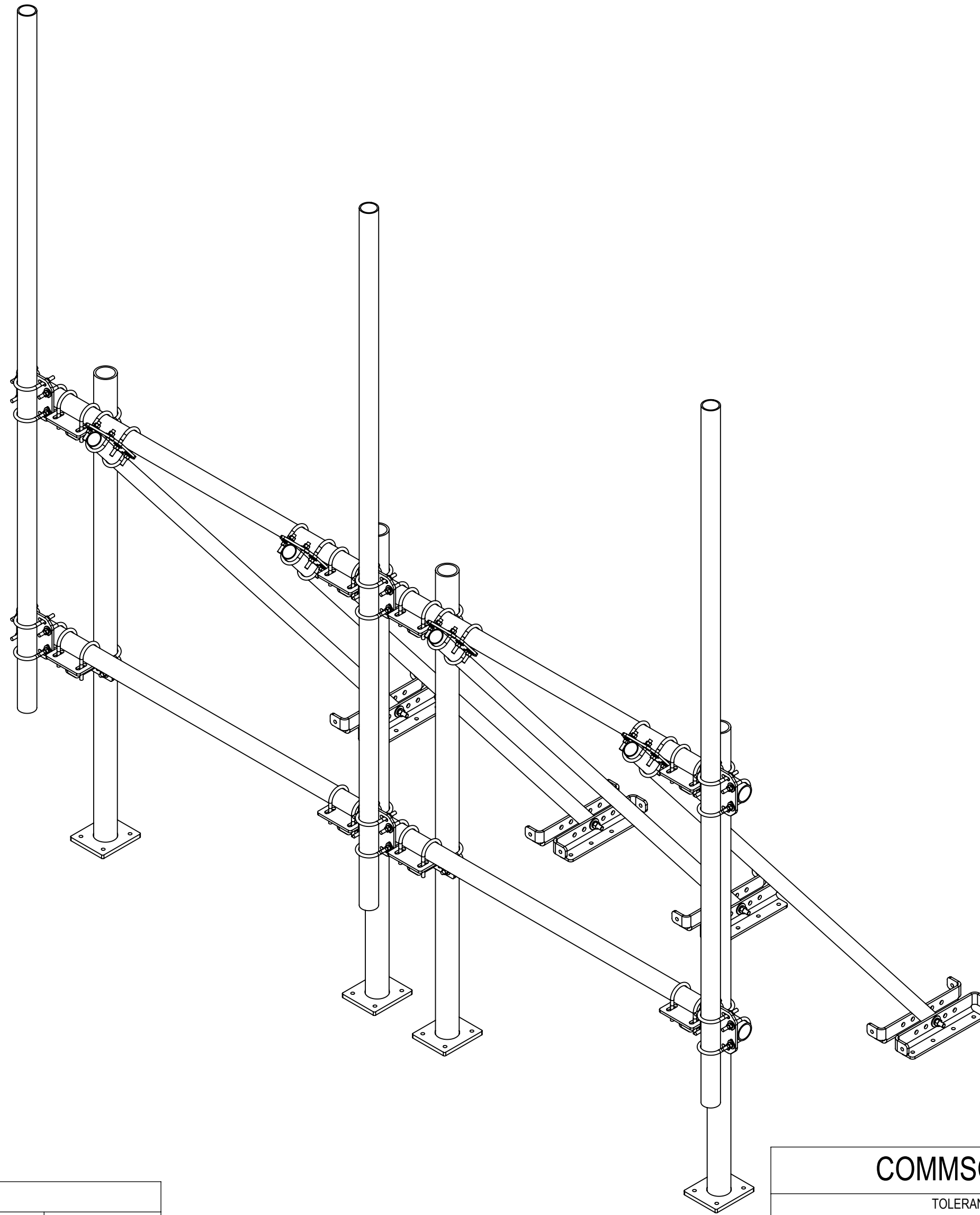
2

1

NOTES:

- 1.0 GENERAL
 - 1.1 ALL METRIC DIMENSIONS ARE IN BRACKETS
 - 1.2 FOR PATENT, SEE WWW.CS-PAT.COM
- 2.0 DESIGN NOTES
 - 2.1 ANCHORS SUPPLIED BY CONTRACTOR PER EOR INSTRUCTIONS
- 3.0 MANUFACTURING/SPECIAL REQUIREMENTS
- 4.0 TEST
- 5.0 PACKAGING

| REVISIONS | | | | |
|-----------|------------|----------------------------------------------|-----|----------|
| REV. | ECN | DESCRIPTION | BY | DATE |
| A | 8000035243 | INITIAL RELEASE | RJC | 05/28/19 |
| B | 8000038453 | REPL MT-379-6 W/GB-05505 UPDT BOM ACORDINGLY | RJC | 12/05/19 |



RT-DSF12-3-126 SHOWN

TOP LEVEL COMPONENTS

| PART NO. | DESCRIPTION | SECTOR KIT | CROSSOVER KIT | PIPE BUNDLE |
|----------------|---------------------------------------|--------------------|-----------------|--------------|
| RT-DSF12-B | MOUNT, 12' DUAL BOLTED W/O PIPES | RT-NF-SCTR (QTY 2) | N/A | PB0212K |
| RT-DSF12-3-96 | MOUNT, 12' DUAL BOLTED W/3 96" PIPES | RT-NF-SCTR (QTY 2) | XP-2525 (QTY 6) | PB0212K0308K |
| RT-DSF12-3-126 | MOUNT, 12' DUAL BOLTED W/3 126" PIPES | RT-NF-SCTR (QTY 2) | XP-2525 (QTY 6) | PB0212K0310K |
| RT-DSF12-4-96 | MOUNT, 12' DUAL BOLTED W/4 96" PIPES | RT-NF-SCTR (QTY 2) | XP-2525 (QTY 8) | PB0212K0408K |
| RT-DSF12-4-126 | MOUNT, 12' DUAL BOLTED W/4 126" PIPES | RT-NF-SCTR (QTY 2) | XP-2525 (QTY 8) | PB0212K0410K |
| RT-DSF14-B | MOUNT, 14' DUAL BOLTED W/O PIPES | RT-NF-SCTR (QTY 2) | N/A | PB0214K |
| RT-DSF14-3-96 | MOUNT, 14' DUAL BOLTED W/3 96" PIPES | RT-NF-SCTR (QTY 2) | XP-2525 (QTY 6) | PB0214K0308K |
| RT-DSF14-3-126 | MOUNT, 14' DUAL BOLTED W/3 126" PIPES | RT-NF-SCTR (QTY 2) | XP-2525 (QTY 6) | PB0214K0310K |
| RT-DSF14-4-96 | MOUNT, 14' DUAL BOLTED W/4 96" PIPES | RT-NF-SCTR (QTY 2) | XP-2525 (QTY 8) | PB0214K0408K |
| RT-DSF14-4-126 | MOUNT, 14' DUAL BOLTED W/4 126" PIPES | RT-NF-SCTR (QTY 2) | XP-2525 (QTY 8) | PB0214K0410K |

PIPE BUNDLE TABLE

| PART NO. | FACE PIPE | ANTENNA PIPE |
|--------------|------------|--------------|
| PB0212K | MT-546-150 | N/A |
| PB0212K0308K | MT-546-150 | MT54696 |
| PB0212K0310K | MT-546-150 | MT-546-126 |
| PB0212K0408K | MT-546-150 | MT54696 |
| PB0212K0410K | MT-546-150 | MT-546-126 |
| PB0214K | MT-546-174 | N/A |
| PB0214K0308K | MT-546-174 | MT54696 |
| PB0214K0310K | MT-546-174 | MT-546-126 |
| PB0214K0408K | MT-546-174 | MT54696 |
| PB0214K0410K | MT-546-174 | MT-546-126 |

| | |
|--------------|--------------------------|
| DENSITY | lbs/in ³ |
| MASS | 659.50 lbs |
| VOLUME | 3550.94 in ³ |
| SURFACE AREA | 21183.54 in ² |
| HEIGHT | |
| LENGTH | |
| WIDTH | |

COMMSCOPE, INC. OF NORTH CAROLINA

| | | | |
|-------------------------------------------------------------------------------------|--------------------|----------------------------|---------------------|
| TOLERANCES | | SAP MATERIAL MASTER | |
| 0 PLACE X ± .25 | 2 PLACE .XX ± 0.06 | RT-SF | |
| 1 PLACE .X ± 0.12 | ANGLES ± 2° | | |
| FINISH GALV A123 | | MATERIAL A500, A1011/A1018 | |
| UNLESS OTHERWISE SPECIFIED DIMENSIONS ARE IN INCHES INTERPRET PER ANSI Y 14.5M-1994 | CE | RJC | 05/14/19 |
| | RW | BCAMPBELLCON | 12/09/2019 |
| | RV | | |
| | AD | MC1107 | 12/10/2019 |
| RE | FA1024 | 12/11/2019 | |
| ECN 008000038453 | | SCALE 1:15 | DOCUMENT NO. RT-DSF |
| SIZE C | WORK AREA 24 | MODEL | |
| | | VERSION 01 | STATUS RE |
| | | REVISION B | VERSION 01 |
| | | STATUS RE | REVISION B |
| | | DRAWING | |
| | | SHEET 1 OF 4 | |

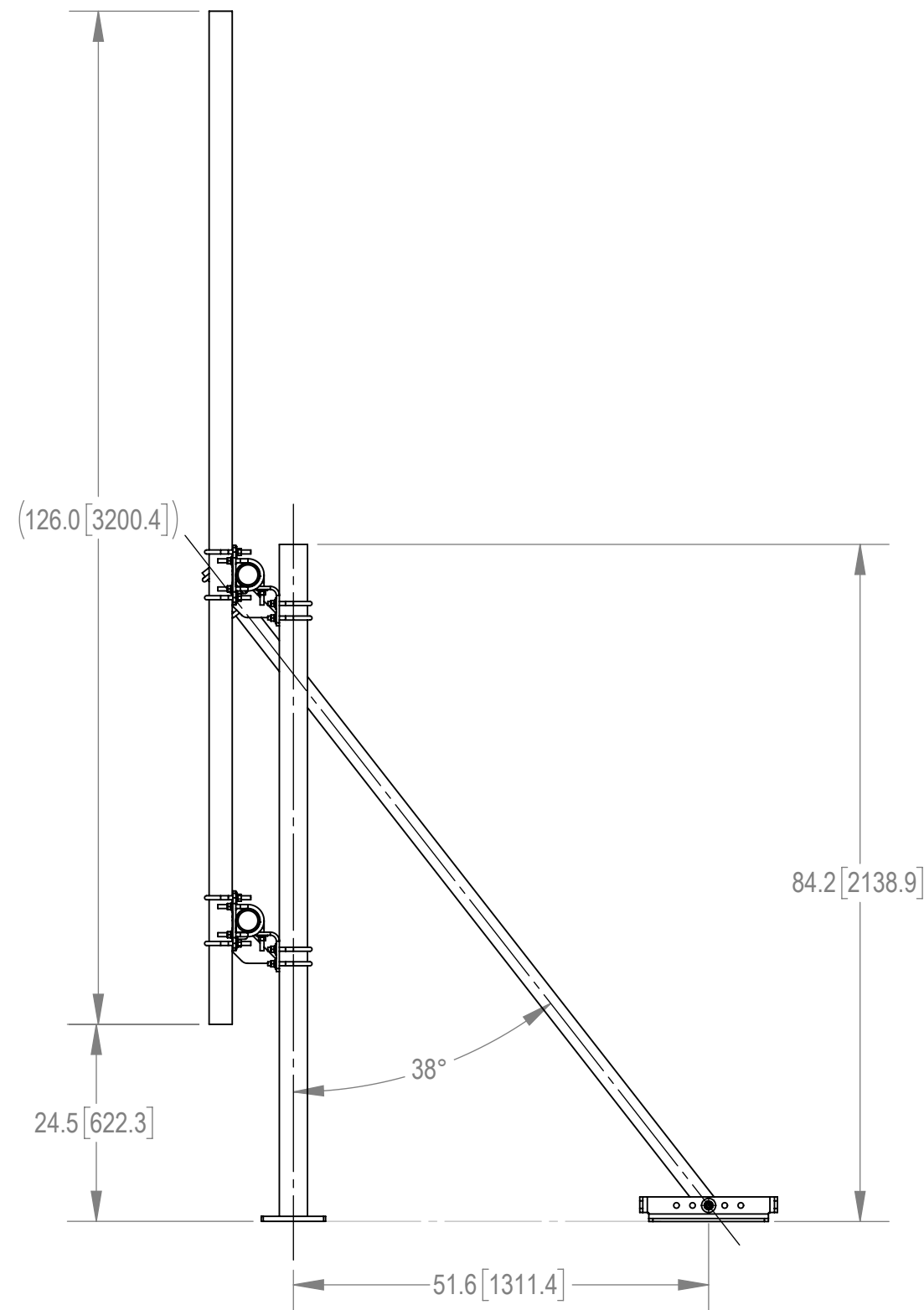
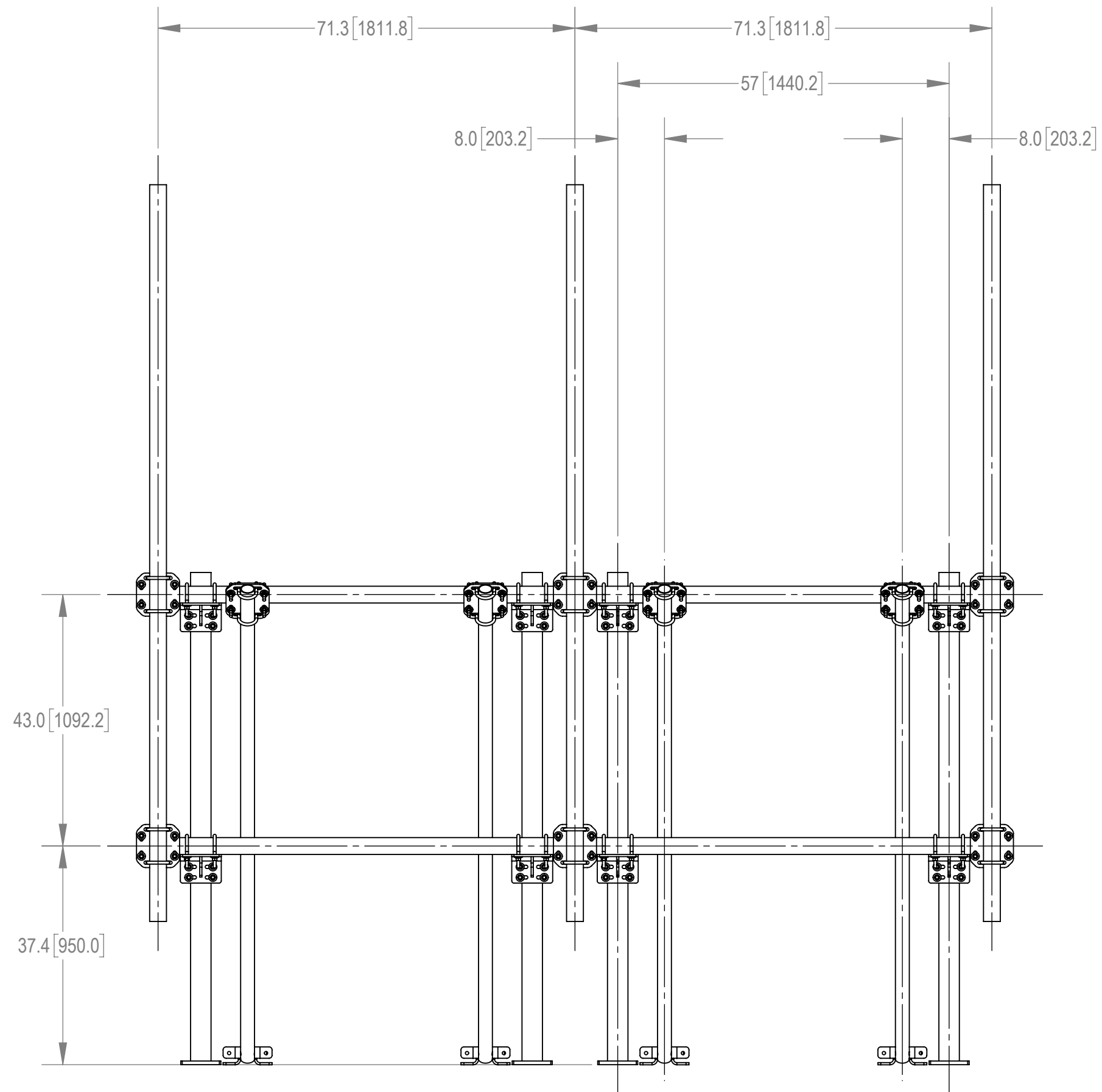
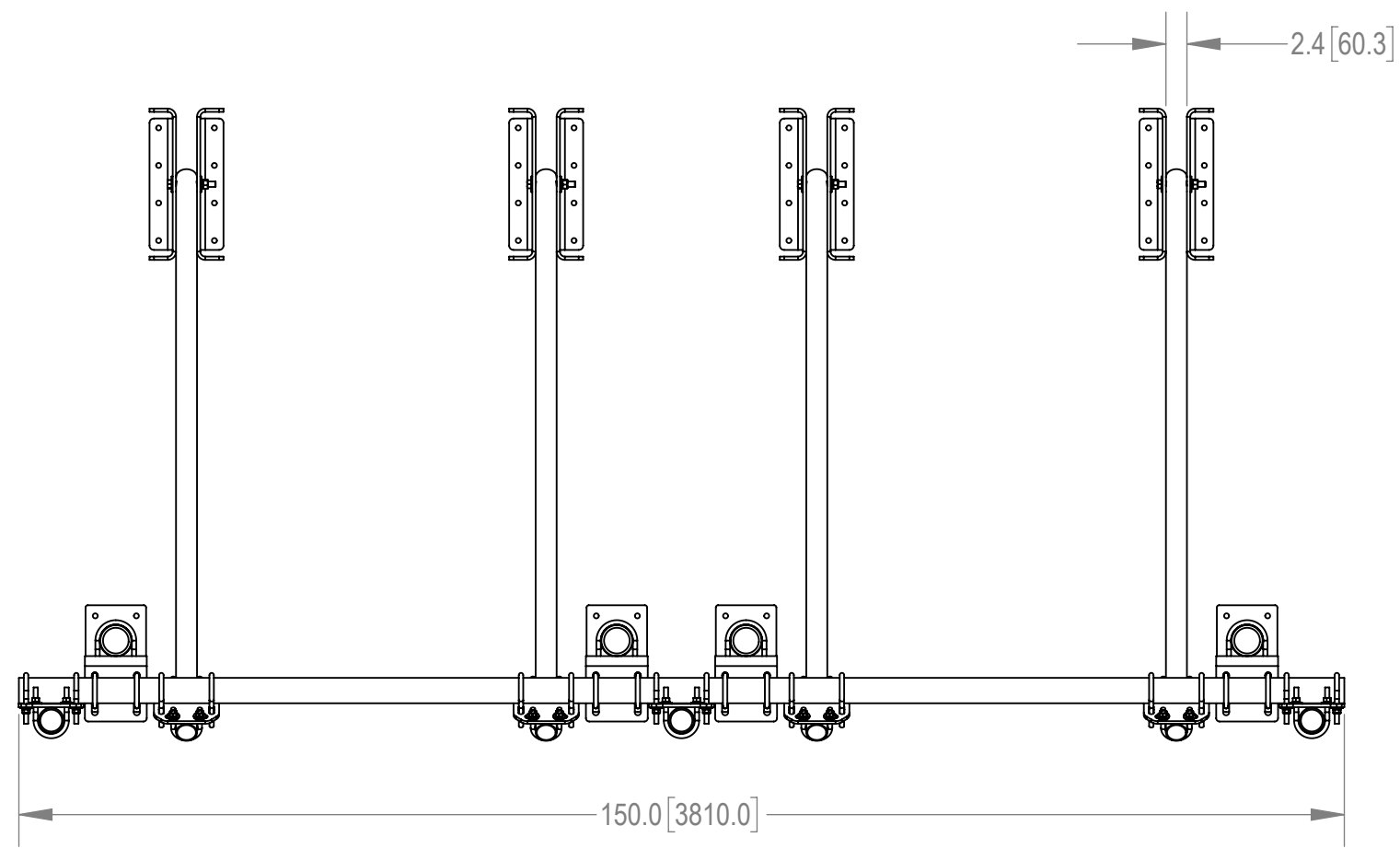
4

3

2

1

NOTES:


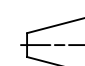


RT-DSF12-3-126 SHOWN

COMMSCOPE, INC. OF NORTH CAROLINA

TITLE
MOUNT, DUAL BOLTED ROOF TOP

| | | |
|------------------|----------------------|------------------------|
| SIZE C | SCALE 1:20 | DOCUMENT NO. RT-DSF |
|------------------|----------------------|------------------------|

| | | | | |
|-----------------------------------------------------------------------------------------------------------------------------------------------------------------------------|---------------|--------------|---------------|-----------------|
|   | DRAWING | | | SHEET 2 OF 4 |
| | VERSION 01 | STATUS RE | REVISION B | |

© 2019 CommScope, Inc. Confidential

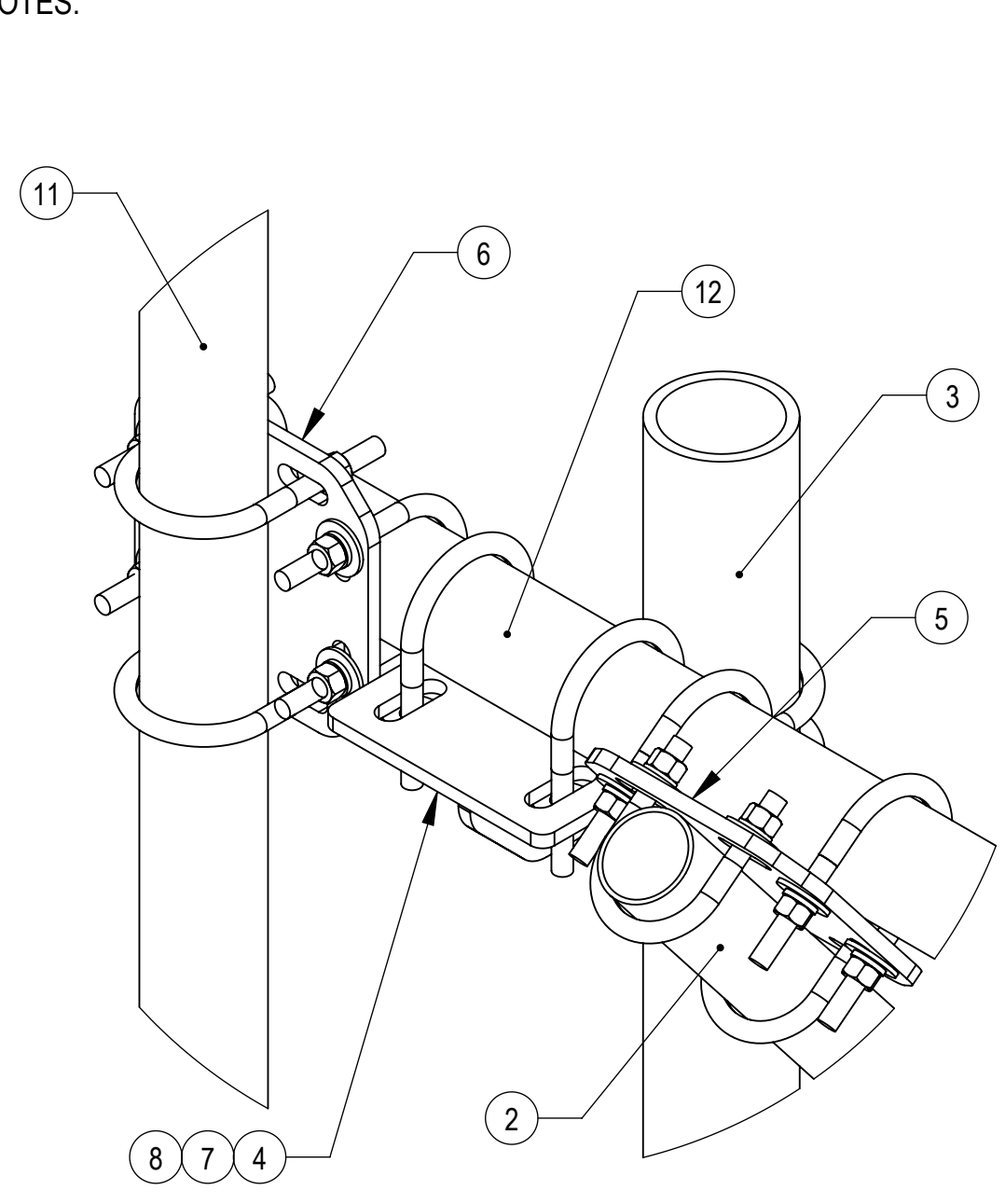
4

3

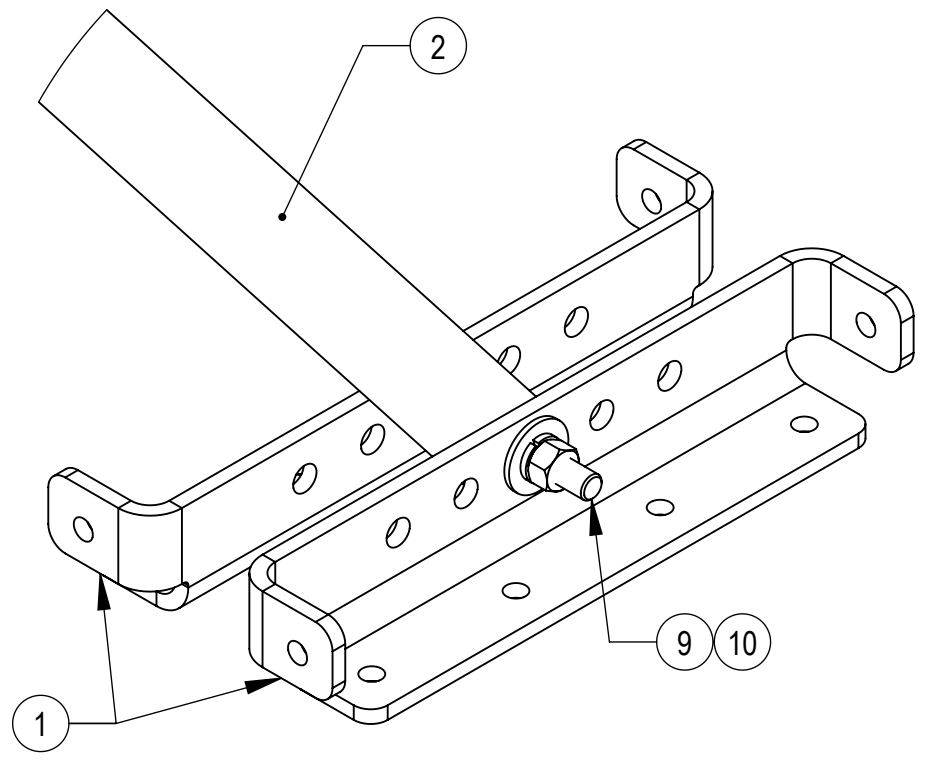
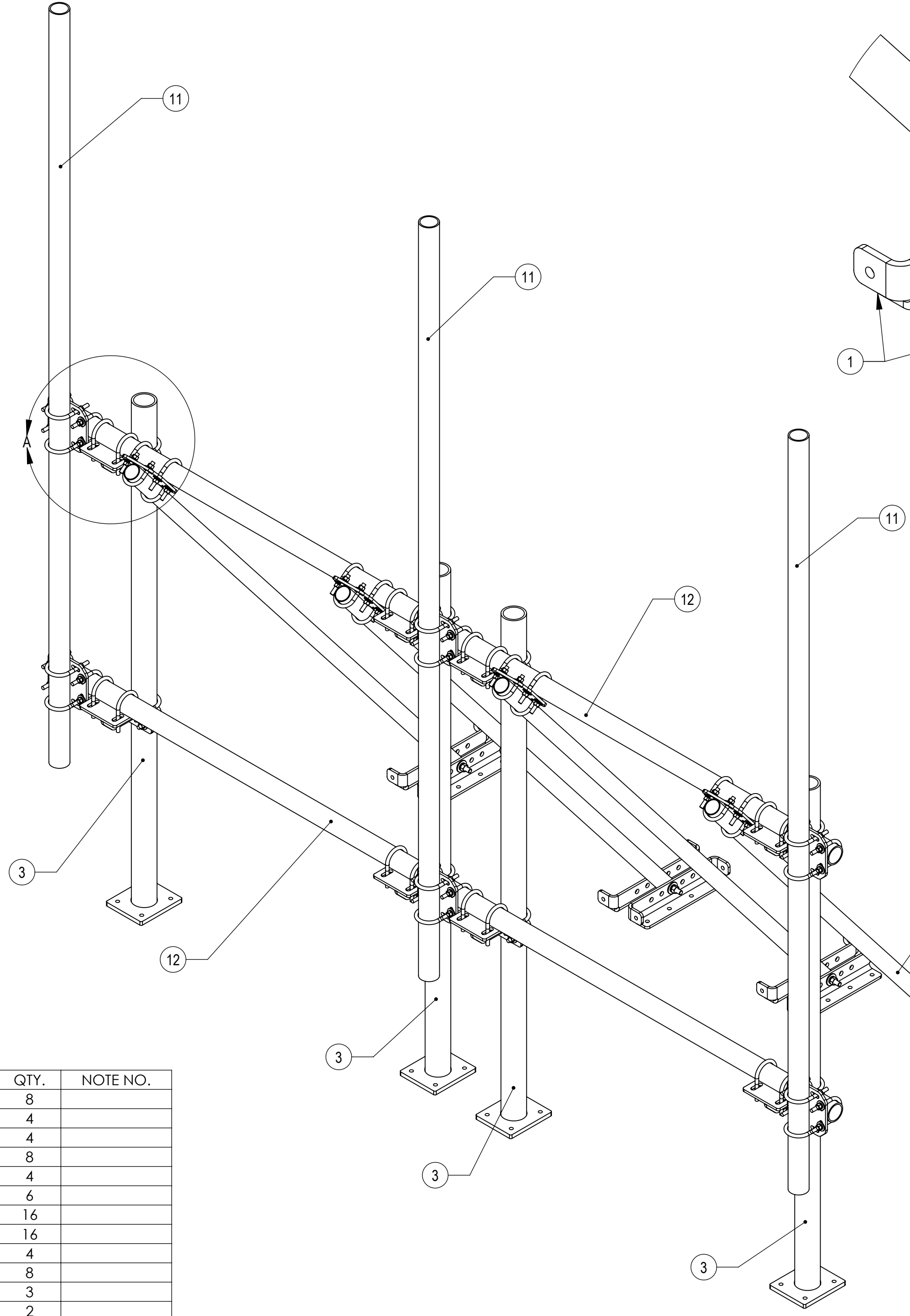
2

1

NOTES:



DETAIL A
SCALE 1:4



DETAIL D
SCALE 1:4

| ITEM | PART NO. | DESCRIPTION | QTY. | NOTE NO. |
|------|------------|------------------------------------------|------|----------|
| 1 | RTNF107 | BRACKET, ROOF TOP TIEBACK | 8 | |
| 2 | RTNF108 | PIPE, ROOF TOP TIEBACK | 4 | |
| 3 | RTNF110 | WELDMENT, ROOF TOP VERTICAL PIPE | 4 | |
| 4 | RTNF114 | WELDMENT, FACE PIPE L BRACKET | 8 | |
| 5 | XP-2025 | CROSSOVER PLATE KIT, 2-3/8 OD X 2-7/8 OD | 4 | |
| 6 | XP-2525 | CROSSOVER PLATE KIT, 2-7/8 OD X 2-7/8 OD | 6 | |
| 7 | GUB-4352 | 1/2" X 3" X 5-1/4" GALV U-BOLT | 16 | |
| 8 | GUB-4355 | 1/2" X 3-5/8" X 5" GALV U-BOLT | 16 | |
| 9 | GB-05505 | 5/8" X 5" GALV BOLT KIT | 4 | |
| 10 | GW-05 | 5/8" GALV FLAT WASHER, 1.7OD | 8 | |
| 11 | MT-546-126 | 2.875" O.D X 126" PIPE | 3 | |
| 12 | MT-546-150 | 2-7/8" OD x 150" GALV PIPE | 2 | |

COMMSCOPE, INC. OF NORTH CAROLINA

TITLE
MOUNT, DUAL BOLTED ROOF TOP

| | | |
|------------------|----------------------|-------------------------------|
| SIZE C | SCALE 1:12 | DOCUMENT NO. RT-DSF |
| DRAWING | | SHEET |
| VERSION 01 | STATUS RE | REVISION B |
| | | 3 OF 4 |

RT-DSF12-3-126 SHOWN

© 2019 CommScope, Inc. Confidential

4

3

2

1

D

D

C

C

B

B

A

A

4

3

2

1

NOTES:

D

D

C

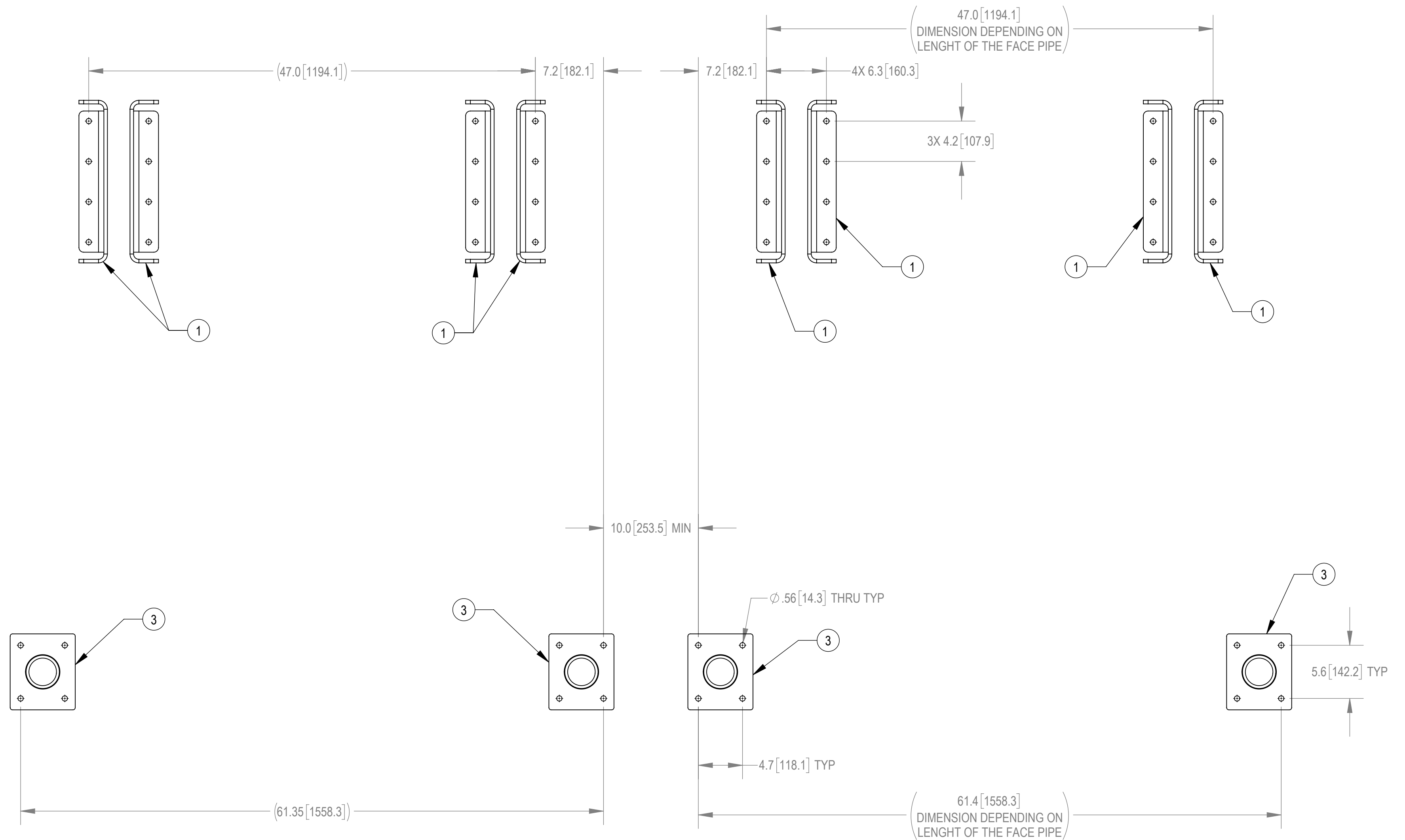
C

B

B

A

A


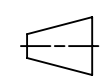


MOUNTING PATTERN
 ANCHORS SUPPLIED BY CONTRACTOR PER EOR INSTRUCTION

RT-DSF-12-3-126 SHOWN

COMMSCOPE, INC. OF NORTH CAROLINA

TITLE
MOUNT, DUAL BOLTED ROOF TOP

| | | | | | |
|-----------------------------------------------------------------------------------------------------------------------------------------------------------------------------|---------------------|-------------------------------|--------------|---------------|-----------------|
| SIZE C | SCALE 1:8 | DOCUMENT NO. RT-DSF | | | |
|   | | DRAWING | | | SHEET 4 OF 4 |
| | | VERSION 01 | STATUS RE | REVISION B | |

4

3

2

1