

4

3

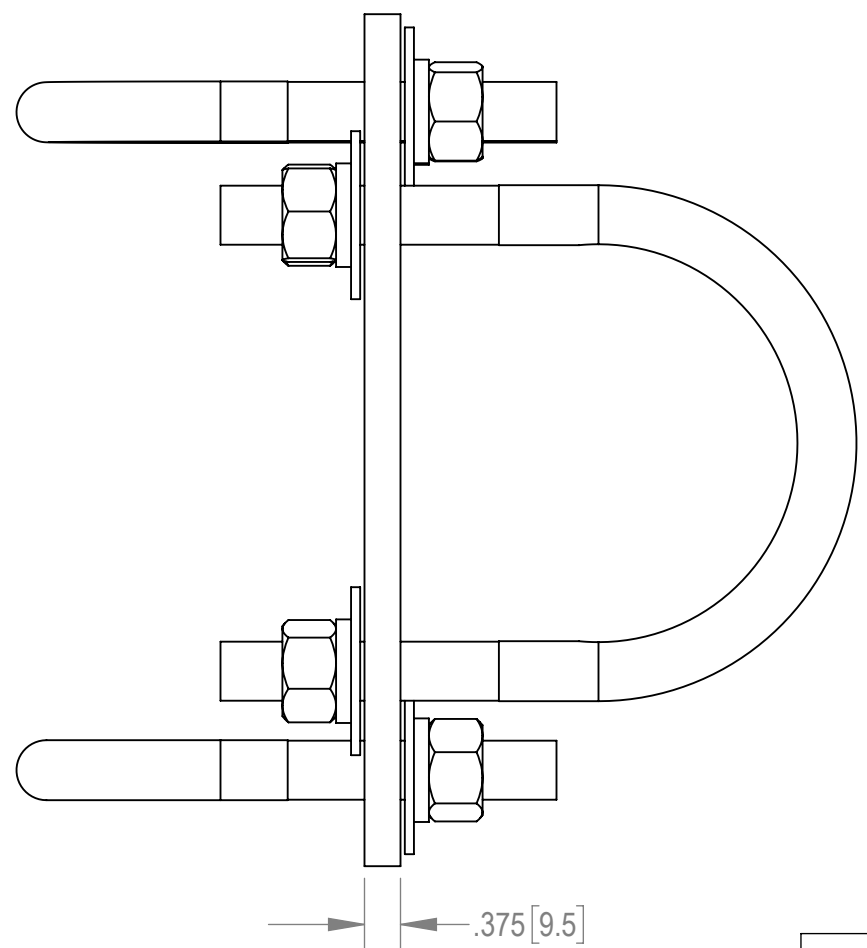
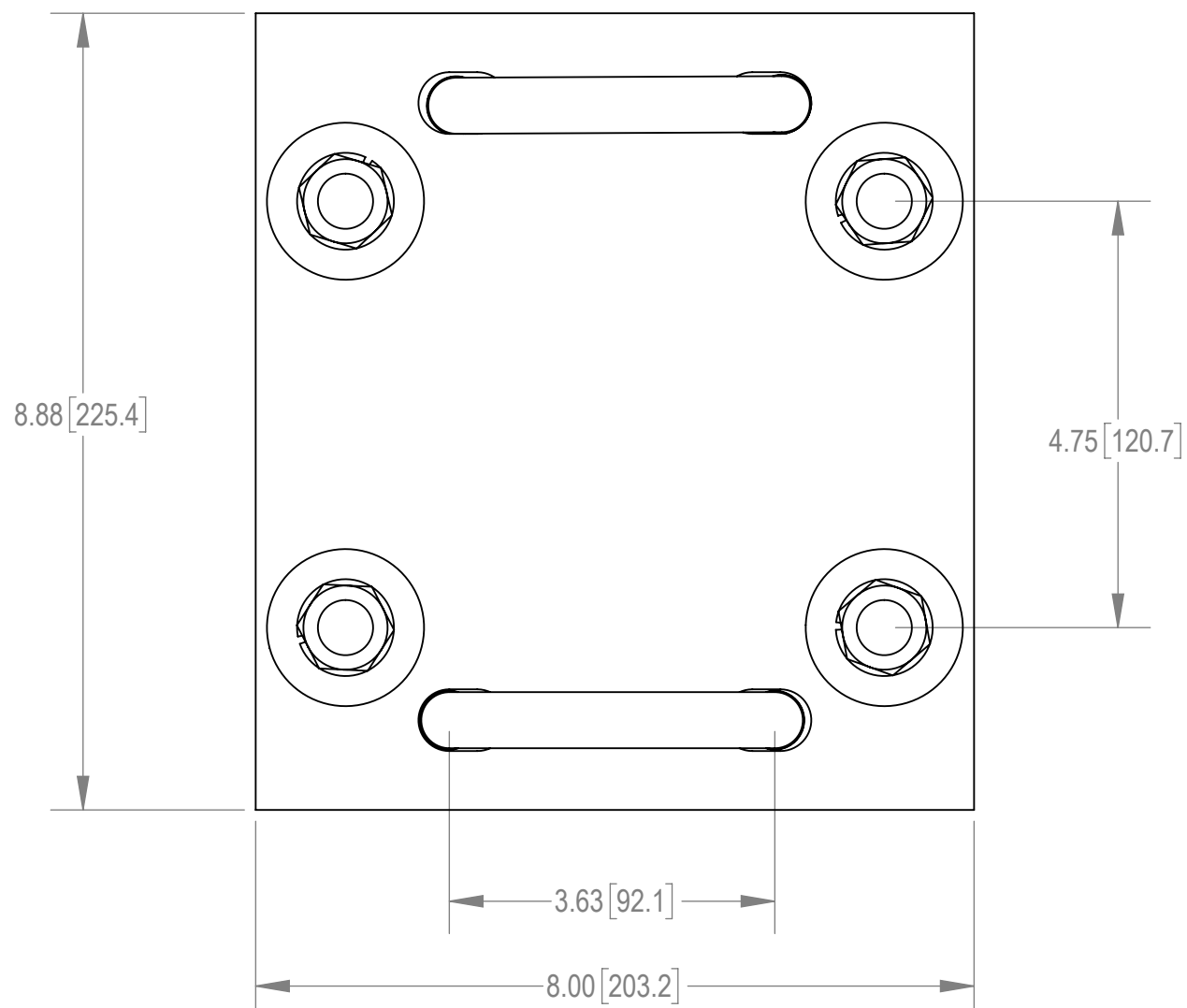
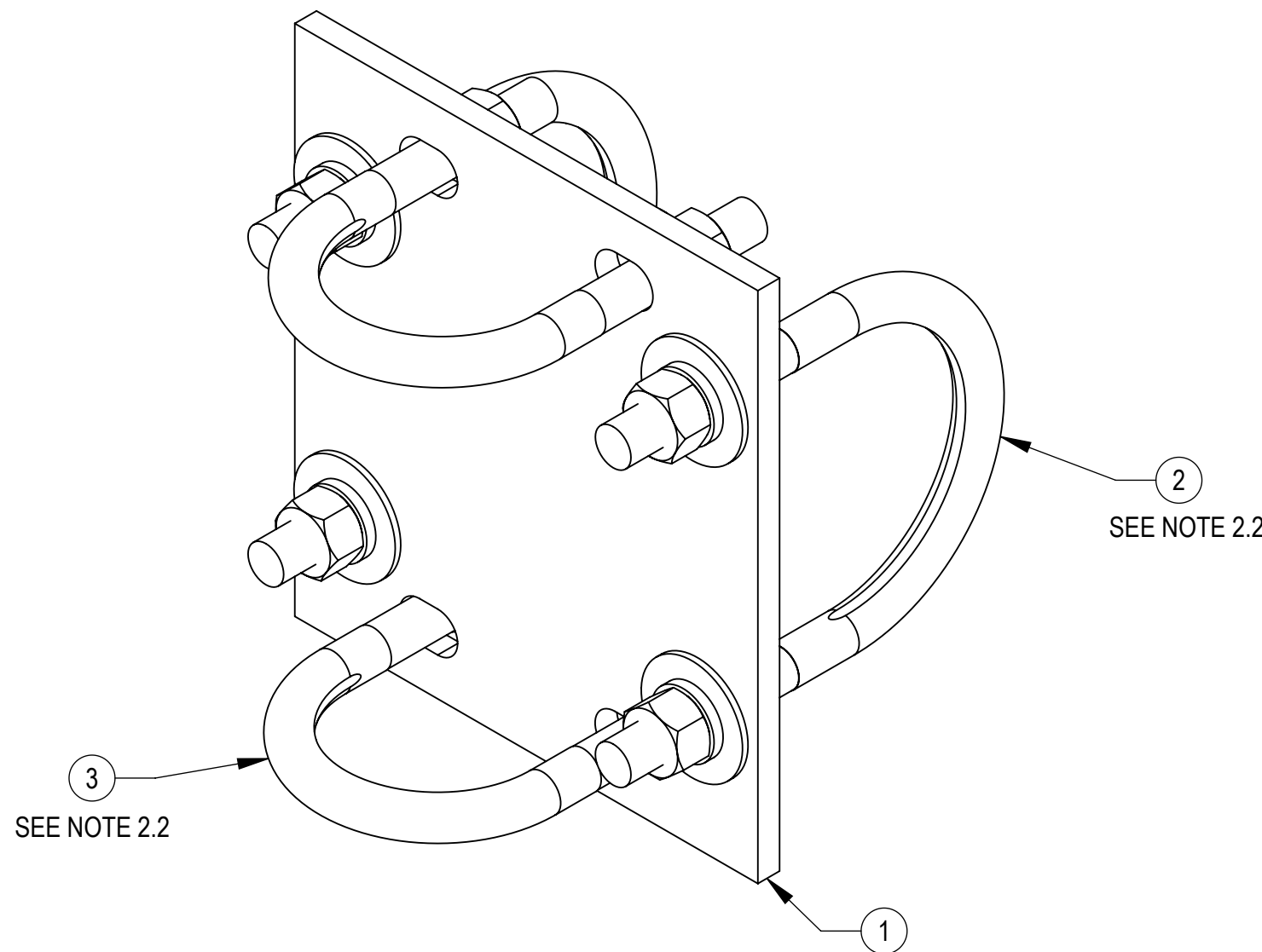
2

1

NOTES:

- 1.0 GENERAL
  - 1.1 ALL METRIC DIMENSIONS ARE IN BRACKETS
- 2.0 DESIGN NOTES
  - 2.1 DESIGNED PER CUSTOMER REQUIREMENTS
  - 2.2 ITEMS 2 & 3 IS INCLUDED IN VZWSMART-MSK2HK
- 3.0 MANUFACTURING/SPECIAL REQUIREMENTS
- 4.0 TEST
- 5.0 PACKAGING

REVISIONS				
REV.	ECN	DESCRIPTION	BY	DATE
A	8000040262	INITIAL RELEASE	MRC	04/13/20
B	40141787CMO	REPLACE GUB-53060 WITH GUB-53050, ADD NOTE 2.2	HW1041	2/11/2022



<b>COMMSCOPE, INC. OF NORTH CAROLINA</b>										
TOLERANCES					SAP MATERIAL MASTER					
0 PLACE X ± .25		2 PLACE .XX ± 0.06			<b>VZWSMART-MSK2</b>					
1 PLACE .X ± 0.12		ANGLES ± 2°								
FINISH GALV A123					MATERIAL A1011/A1018					
UNLESS OTHERWISE SPECIFIED DIMENSIONS ARE IN INCHES INTERPRET PER ANSI Y 14.5M-1994	CE	MRC	04/13/20	<b>CROSSOVER PLATE</b>						
	RW	HW1041	02/15/2022							
	RV									
	AD	BCROSS	02/16/2022							
	RE	XZ1054	02/16/2022							
ECN 40141787CMO				SCALE	DOCUMENT NO.					
				<b>1:2</b>	<b>VZWSMART-MSK2</b>					
SIZE	WORK AREA	INSL	MODEL			DRAWING				SHEET 1 OF 2
<b>C</b>			VERSION	STATUS	REVISION	VERSION	STATUS	REVISION		
			02	RE	B	01	RE	B		

DENSITY	13.61	lbs/in <sup>3</sup>
MASS	46.49	lbs
VOLUME	366.11	in <sup>3</sup>
SURFACE AREA	366.11	in <sup>2</sup>
HEIGHT	9.0	
LENGTH	.375	
WIDTH	9.0	

4

3

2

1

4

3

2

1

NOTES:

D

D

C

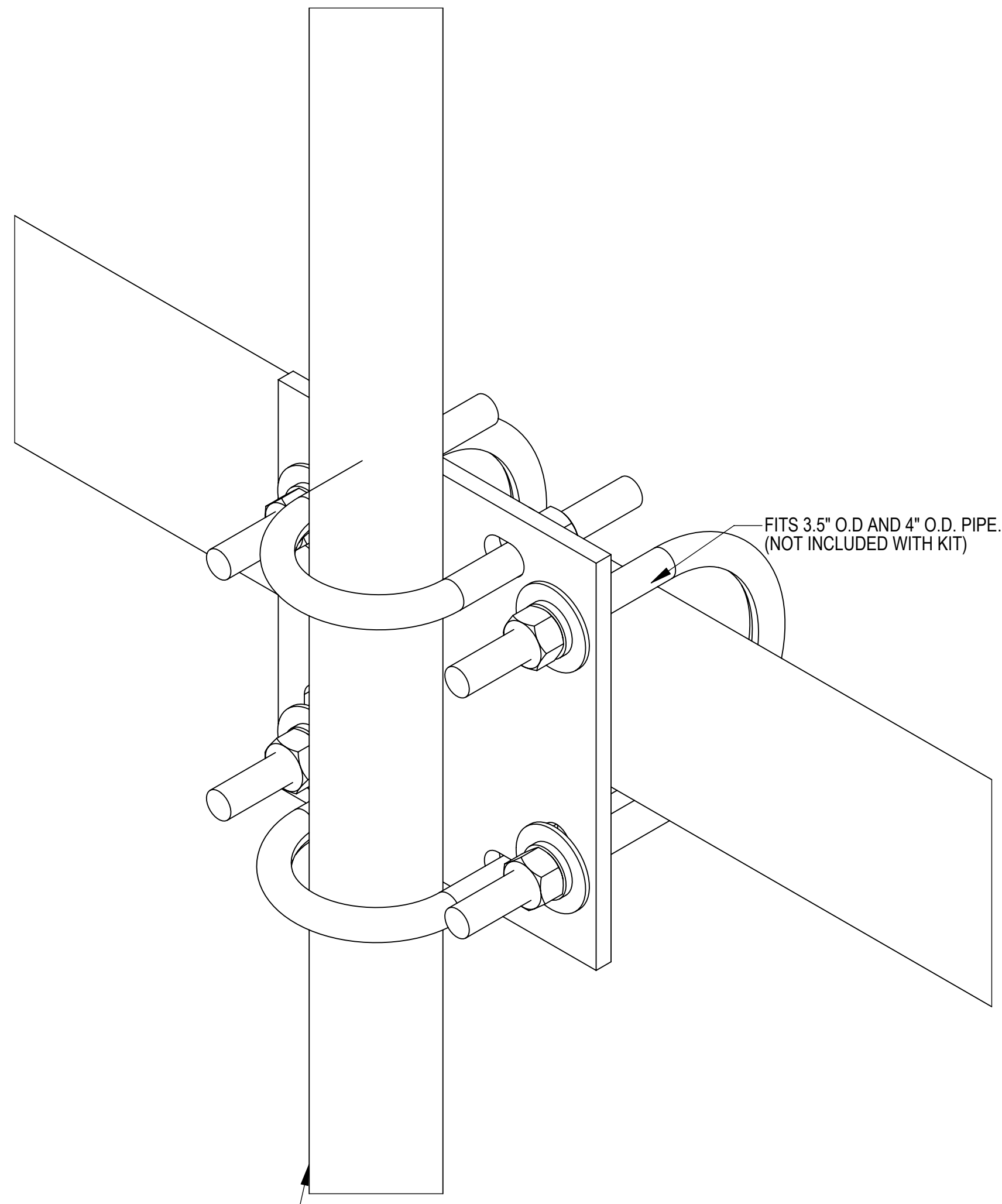
C

B

B

A

A




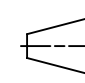
FITS 2.375" O.D AND 2.875" O.D. PIPE.  
(NOT INCLUDED WITH KIT)

FITS 3.5" O.D AND 4" O.D. PIPE.  
(NOT INCLUDED WITH KIT)

COMMSCOPE, INC. OF NORTH CAROLINA

TITLE  
**CROSSOVER PLATE**

SIZE <b>C</b>	SCALE <b>1:2</b>	DOCUMENT NO. <b>VZWSMART-MSK2</b>		
------------------	---------------------	--------------------------------------	--	--

 	DRAWING			SHEET 2 OF 2
	VERSION 01	STATUS RE	REVISION B	

© 2020 CommScope, Inc.

4

3

2

1