



TDUX - Inflatable Duct Seal, size 150

- Flexible and reliable wraparound inflatable sealing system for cables
- Fast and easy to install or remove, even when water is flowing out of the duct
- Independent of duct or cable ovality
- Water and airtight up to 50 kPa (7 psi)
- Environmentally friendly, non-toxic and resistant to chemicals

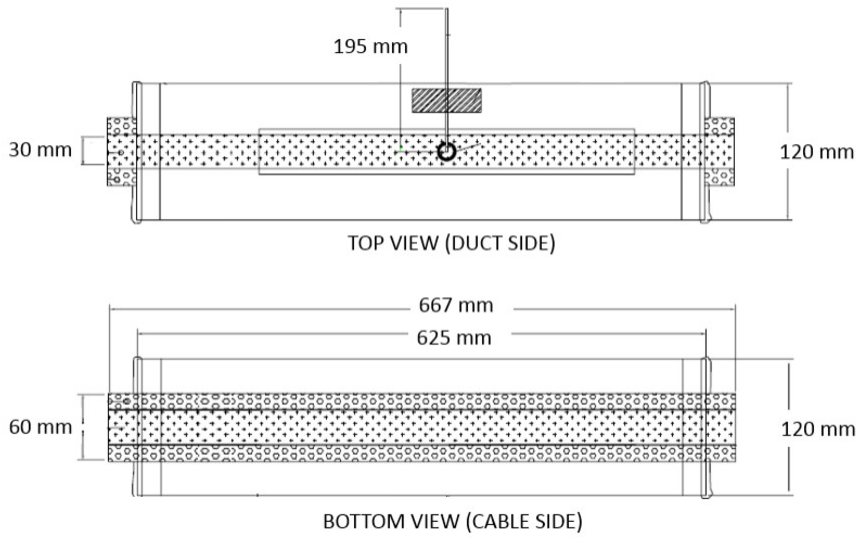
Product Classification

Regional Availability	Australia/New Zealand Latin America North America
Product Type	Cable duct seal
Product Series	TDUX
Ordering Note	When sealing more than two cables in a duct, separate orderable TDUX-CL clips are to be used

Dimensions

Width	120 mm 4.724 in
Length	667 mm 26.26 in
Cable Diameter, maximum	114.3 mm 4.5 in
Cable Diameter, minimum	101.6 mm 4 in
Conduit Inner Diameter, maximum	152.4 mm 6 in
Conduit Inner Diameter, minimum	139.7 mm 5.5 in

Dimension Drawing



Environmental Specifications

Installation temperature -5 °C to +40 °C (+23 °F to +104 °F)

Packaging and Weights

Included Inflatable bladder with sealing mechanism

Packaging quantity 10