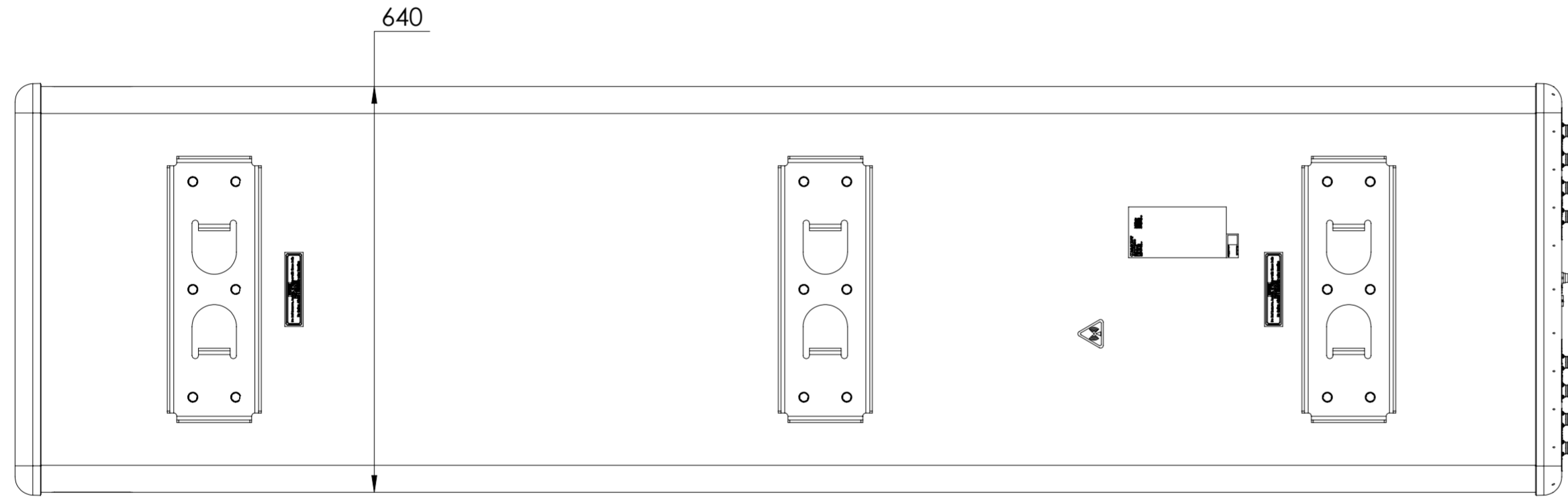
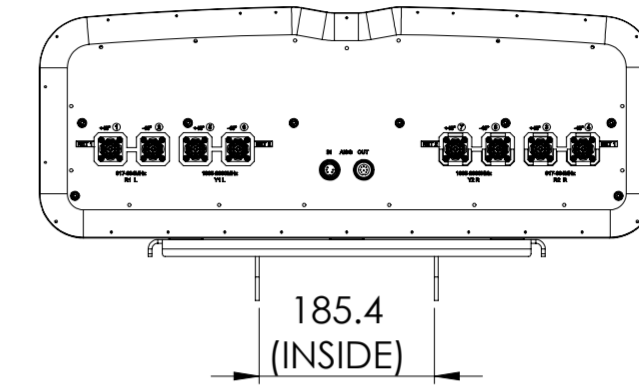
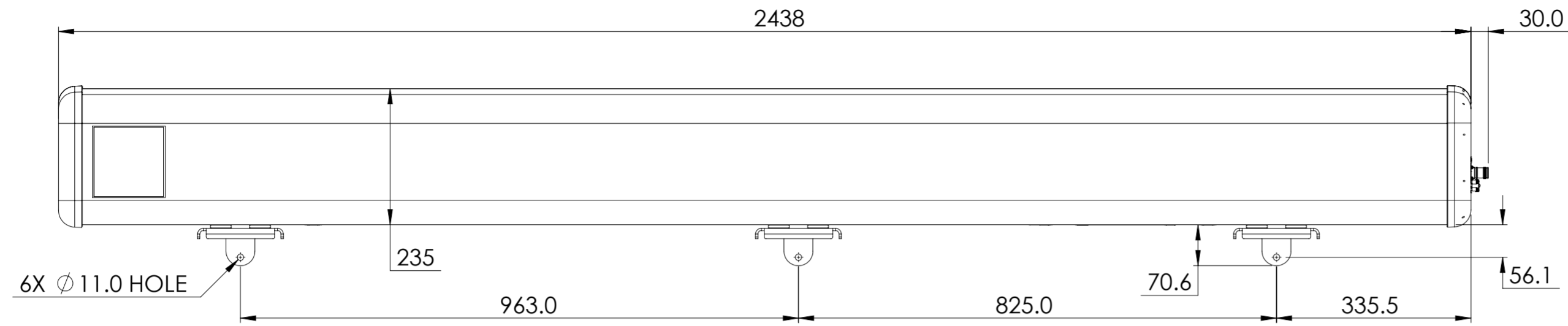


REVISIONS			
REV.	DESCRIPTION	DATE	APPROVED
A	ECR 16312PC: REL TO PRODUCTION PER EAO 610600.	23MAR22 CZH	YJB/XJ
B	ECR XXXXXXX: UPDATE LABEL.		



FFVV-65C-R2-HG

COMMSCOPE, INC. OF NORTH CAROLINA

TOLERANCES		SAP MATERIAL MASTER	
0 PLACE X ±	2 PLACE .XX ±		
1 PLACE .X ±	ANGLES ±		
FINISH		MATERIAL	
<small>UNLESS OTHERWISE SPECIFIED DIMENSIONS ARE IN MILLIMETERS INTERPRET PER ISO STANDARDS HANDBOOK TECHNICAL DRAWINGS VOLUMES 1 & 2, THIRD EDITION (2002)</small>		NAME	DATE
		CE ZHHCHEN	03/23/2022
		RW ZHHCHEN	04/11/2022
		AD JY1049	04/11/2022
		RE ZHHCHEN	04/11/2022
ECN 16312PC		SCALE	DOCUMENT NO.
		1:8	FFVV-65C-R2-HG-L
SIZE	Auth Group	BSA	MODEL
A2			VERSION STATUS REVISION
			00 RE A
HEIGHT		DRAWING	
LENGTH		VERSION STATUS REVISION	
WIDTH		00 RE A	
			SHEET
			1 OF 1