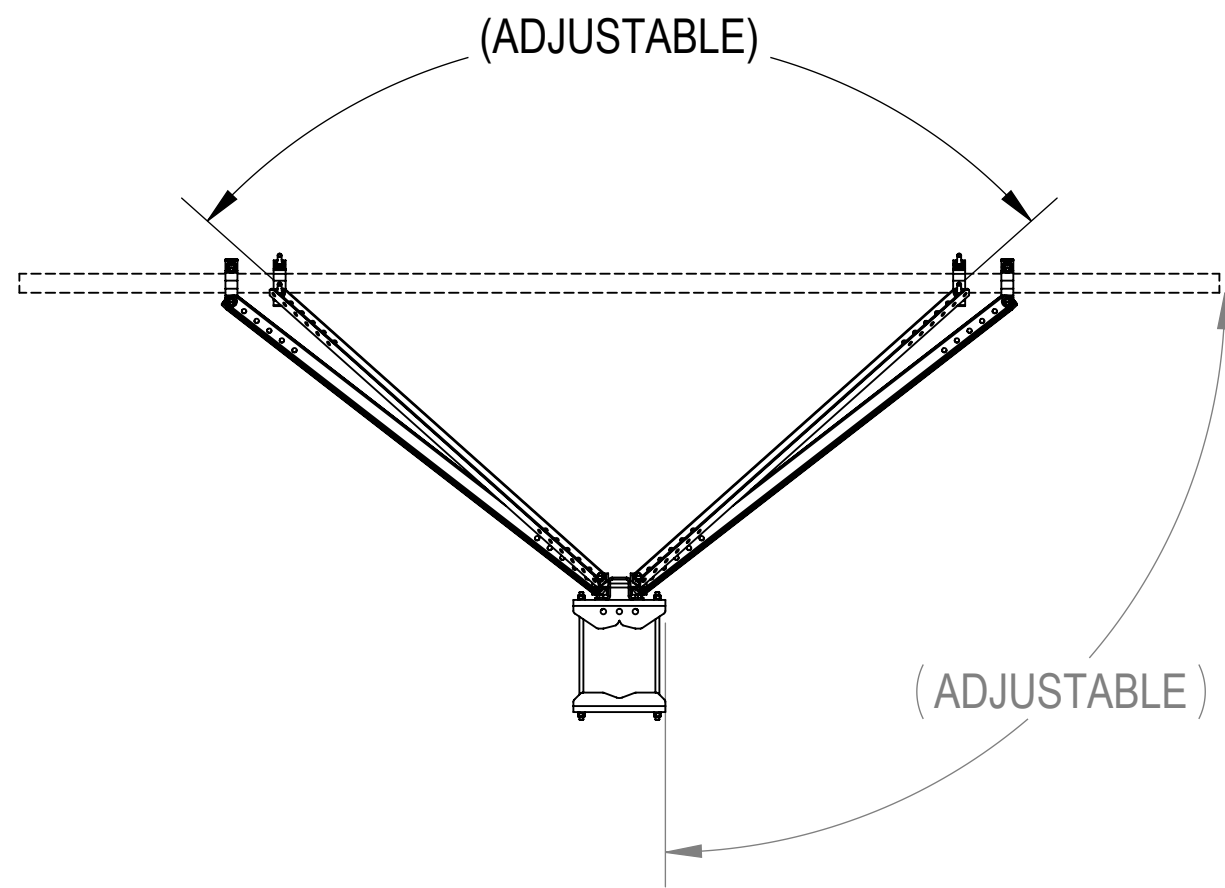


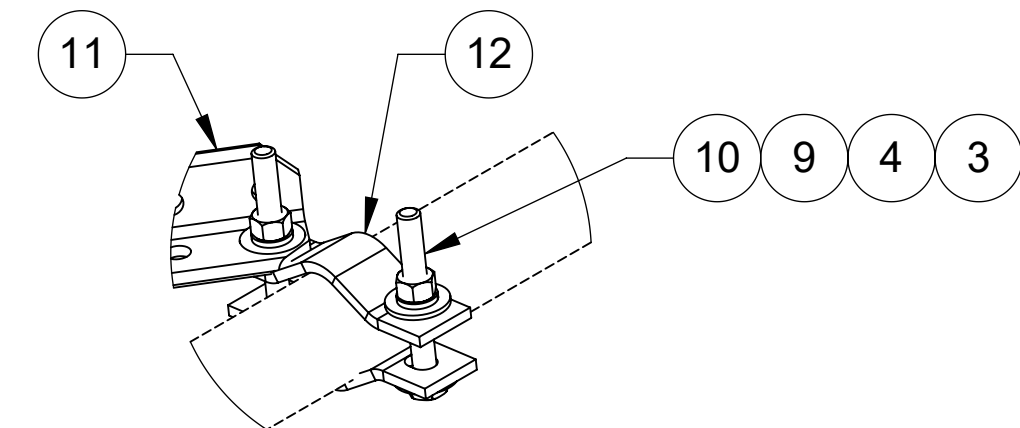
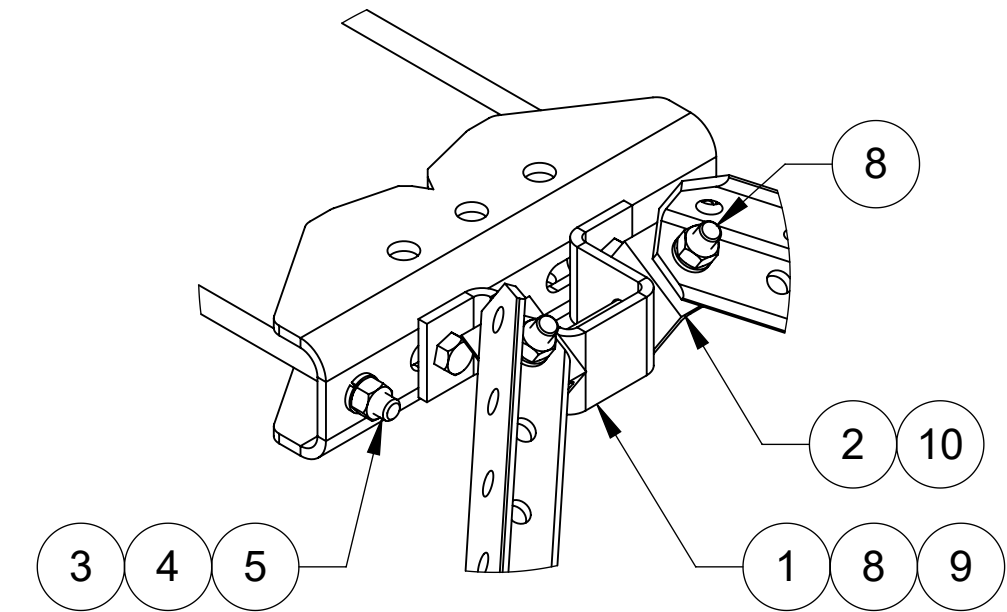
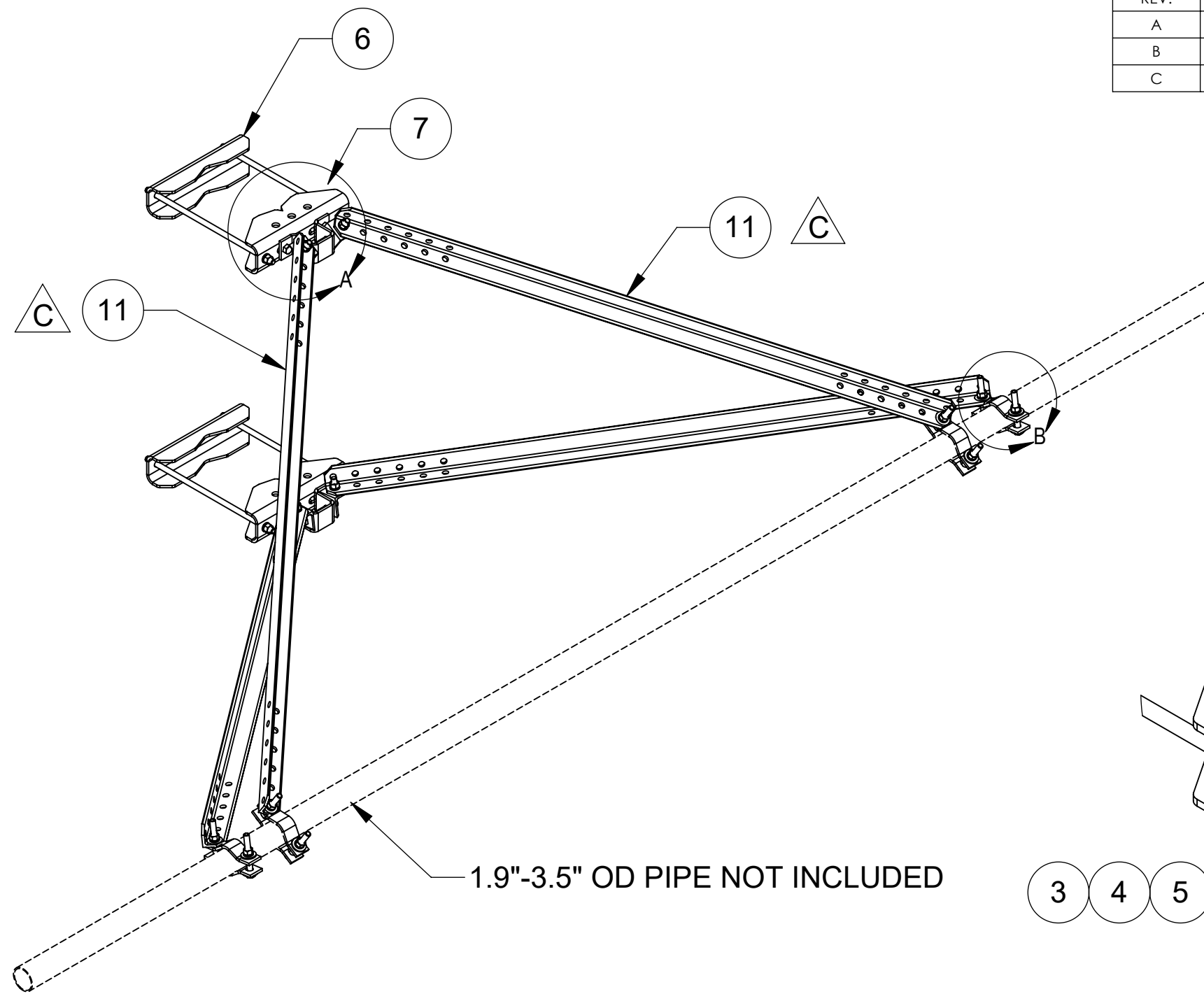
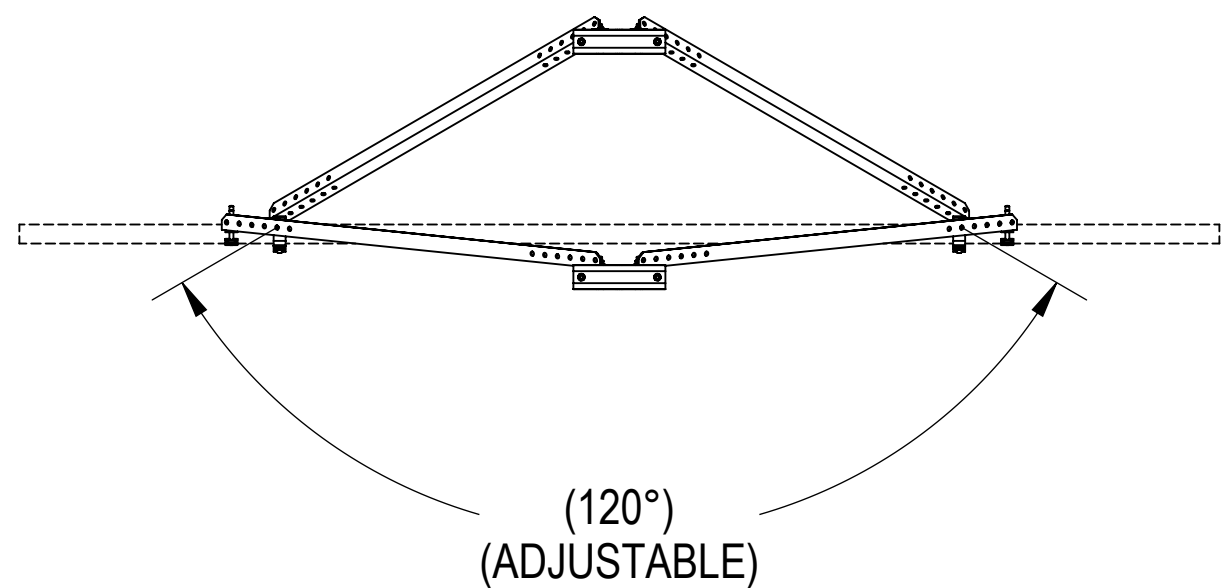
NOTES:

- 1.0 GENERAL NOTES
  - 1.1 ALL METRIC DIMENSIONS ARE IN BRACKETS
  - 1.2 MARK PART WITH IDENTIFICATION NUMBER
- 2.0 DESIGN NOTES
  - 2.1 FITS TOWER LEGS FROM 2" TO 8" OD
  - 2.2 ALL DIMENSIONS SHOWN ARE FOR REFERENCE ONLY
  - ALL CONNECTIONS ARE ADJUSTABLE. FINAL INSTALLED APPLICATION DICTATES FINISHED DIMENSIONS
- 3.0 MANUFACTURING/SPECIAL REQUIREMENTS
  - 3.1 TORQUE HARDWARE TO 60 FT-LBS
- 4.0 TEST
- 5.0 PACKAGING
  - 5.1 PACKAGING SHALL MEET COMMSCOPE REQUIREMENTS PER DOCUMENT IS-PL-3005

REVISIONS				
REV.	ECN	DESCRIPTION	BY	DATE
A	8000028066	INITIAL RELEASE	RDL	1/17/18
B	8000029765	ADDED DETAIL VIEWS & DIMENSIONS TO VIEWS	RJC	05/10/18
C	11410PC	MTC3405-0001 WAS MTC393214	RJC	7/9/2021



**UP TO ±30° AZIMUTH ADJUSTMENT OFF APEX**



ITEM	PART NO.	DESCRIPTION	QTY.	WEIGHT	NOTE NO.
1	MTC393216	BRACKET, PIVOT ATTACHMENT	2	1.41 LBS	
2	MTC393211	BRACKET, PIVOT	4	0.37 LBS	
3	GN-04	1/2" GALV HEX NUT	12	0.04 LBS	
4	GWL-04	1/2" GALV LOCK WASHER	8	0.01 LBS	
5	MT37916	1/2" X 16" GALV THREADED ROD	4	0.88 LBS	
6	MTC397531	BACK BRACKET, SM-U2080LD	2	5.15 LBS	
7	MTC397532	FRONT BRACKET, SM-U2080LD	2	5.97 LBS	
8	GB-04145	1/2" X 1-1/2" GALV BOLT KIT	8	0.13 LBS	
9	GWF-04	1/2" GALV FLAT WASHER	20	0.04 LBS	
10	1204FTB	1/2" x 4" FULL THREAD GALV. BOLT	10	0.26 LBS	
11	MTC3405-0001	ANGLE, 60" SUPPORT ARM	4	15.37 LBS	
12	ACP10	1.5" - 3.5" O.D. CLAMP HALF	8	0.61 LBS	

DENSITY	0.28	lbs/in <sup>3</sup>
MASS	175.19	lbs
VOLUME	617.47	in <sup>3</sup>
SURFACE AREA		in <sup>2</sup>
HEIGHT		
LENGTH		
WIDTH		

**COMMSCOPE, INC. OF NORTH CAROLINA**

TOLERANCES  
 0 PLACE X ± .25  
 1 PLACE X ± 0.12  
 2 PLACE .XX ± 0.06  
 ANGLES ± 2°

SAP MATERIAL MASTER  
**VSRDUALA-TS-B**

FINISH  
 GALV A123

MATERIAL  
 A500; A1011/A1018

REV.	NAME	DATE	TITLE
CE	RJC	07/09/21	V-STABILIZER, ADJUSTABLE, DUAL
RW	BCAMPBELLCON	08/11/2021	
AD	BCROSS	08/20/2021	
RE	BCROSS	08/20/2021	

SCALE: **1:12** DOCUMENT NO.: **VSRDUALA-TS-B**

SIZE	Auth Group	INSL	MODEL	DRAWING			SHEET		
C			VERSION	STATUS	REVISION	VERSION	STATUS	REVISION	
			00	RE	C	00	RE	C	1 OF 1