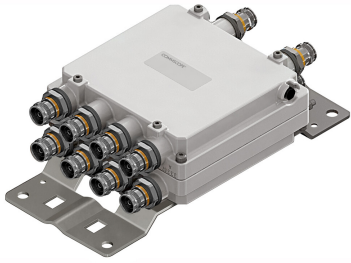


SDX3340Q-DH-43 | E14F06P80



Compact Quad Diplexer 3300-3670/3700-3980 MHz, DC on 3700-3980 MHz port, 4.3-10

- Supports C-Band, DoD and CBRS bands
- Port 1 supports DoD and CBRS
- Port 2 supports C-Band
- DC/AISG bypass on C-Band port
- New 4.3-10 connectors for improved PIM performance and size reduction
- Industry leading PIM performance
- Quad configuration, 4x4 MIMO ready
- Ideal for small cell applications

Product Classification

Product Type Diplexer

General Specifications

Color Gray

Common Port Label Common

Modularity 4-Quad

RF Connector Interface 4.3-10 Female

RF Connector Interface Body Style Long neck

Dimensions

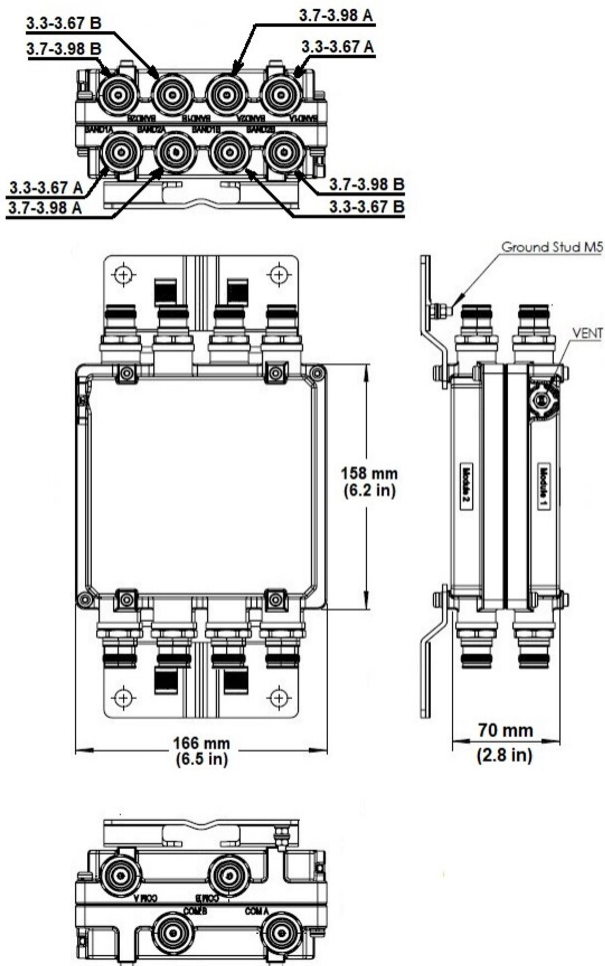
Height 158 mm | 6.22 in

Width 166 mm | 6.535 in

Depth 70 mm | 2.756 in

Outline Drawing

SDX3340Q-DH-43 | E14F06P80



Electrical Specifications

Impedance	50 ohm
License Band, Band Pass	TDD 3500

Electrical Specifications, dc Power/Alarm

dc/AISG Pass-through Method	Factory set
dc/AISG Pass-through Path	Branch 2
dc/AISG Pass-through, combiner	Branch 2
dc/AISG Pass-through, demultiplexer	Branch 2
Lightning Surge Current	10 kA
Lightning Surge Current Waveform	8/20 waveform
Voltage	7–30 Vdc

SDX3340Q-DH-43 | E14F06P80

Electrical Specifications, AISG

AISG Carrier 2.176 MHz ± 100 ppm

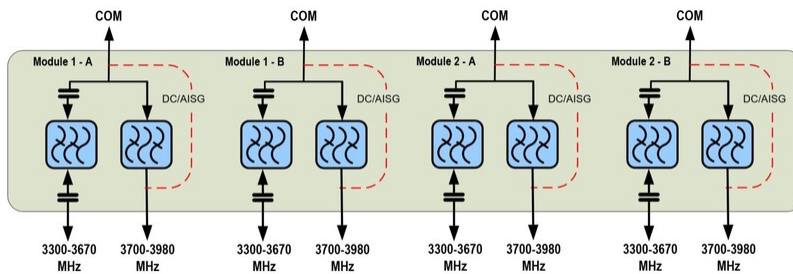
Electrical Specifications

Sub-module	1 2	1 2
Branch	1	2
Port Designation	DoD + CBRS	C-Band
License Band	TDD 3500, Band Pass	TDD 3500, Band Pass

Electrical Specifications, Band Pass

Frequency Range, MHz	3300–3670	3700–3980
Insertion Loss, typical, dB	0.2	0.2
Total Group Delay, maximum, ns	20	20
Return Loss, typical, dB	20	20
Isolation, minimum, dB	35	35
Input Power, RMS, maximum, W	100	100
Input Power, PEP, maximum, W	1000	1000
3rd Order PIM, minimum, dBc	-155	-155
3rd Order PIM Test Method	2 x 20 W CW tones	2 x 20 W CW tones

Block Diagram



Mechanical Specifications

Wind Loading @ Velocity, frontal 34.0 N @ 150 km/h (7.6 lbf @ 150 km/h)
Wind Loading @ Velocity, lateral 8.0 N @ 150 km/h (1.8 lbf @ 150 km/h)

Environmental Specifications

Operating Temperature -40 °C to +65 °C (-40 °F to +149 °F)

SDX3340Q-DH-43 | E14F06P80

Relative Humidity	Up to 100%
Corrosion Test Method	IEC 60068-2-11, 30 days
Ingress Protection Test Method	IEC 60529:2001, IP67

Packaging and Weights

Mounting Hardware Weight	0.5 kg 1.102 lb
Volume	1.85 L
Weight, without mounting hardware	3.6 kg 7.937 lb

Regulatory Compliance/Certifications

Agency	Classification
CHINA-ROHS	Above maximum concentration value
REACH-SVHC	Compliant as per SVHC revision on www.commscope.com/ProductCompliance
ROHS	Compliant/Exempted

