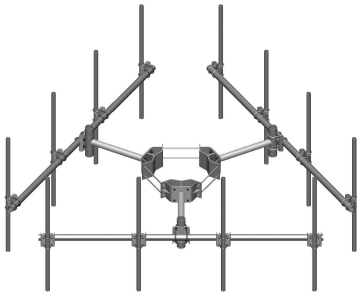


# MC-K14L-12-96



Monopole Co-location T-Frame Kit, 30 in to 60 in OD, 14 ft face, includes pipe

## OBSOLETE

This product was discontinued on: August 18, 2022

### Replaced By:

MC-K12M-12-96

Monopole Co-location T-Frame kit, 12 in to 50 in OD, 12 ft 6 in face, includes pipe

## Product Classification

**Product Type** Monopole T-frame kit

## General Specifications

**Mounting** Monopole, 762–1524 mm (30–60 in) OD

**Pipe, quantity** 12

**Sectors, quantity** 3

## Dimensions

**Height** 96 in | 2,438.4 mm

**Face Width** 14.5 ft | 4.42 m

**Width** 174 in | 4,419.6 mm

**Length** 36 in | 914.4 mm

**Pipe Length** 96 in | 2,438.4 mm

**Mounting Diameter, maximum** 60 in | 1524 mm

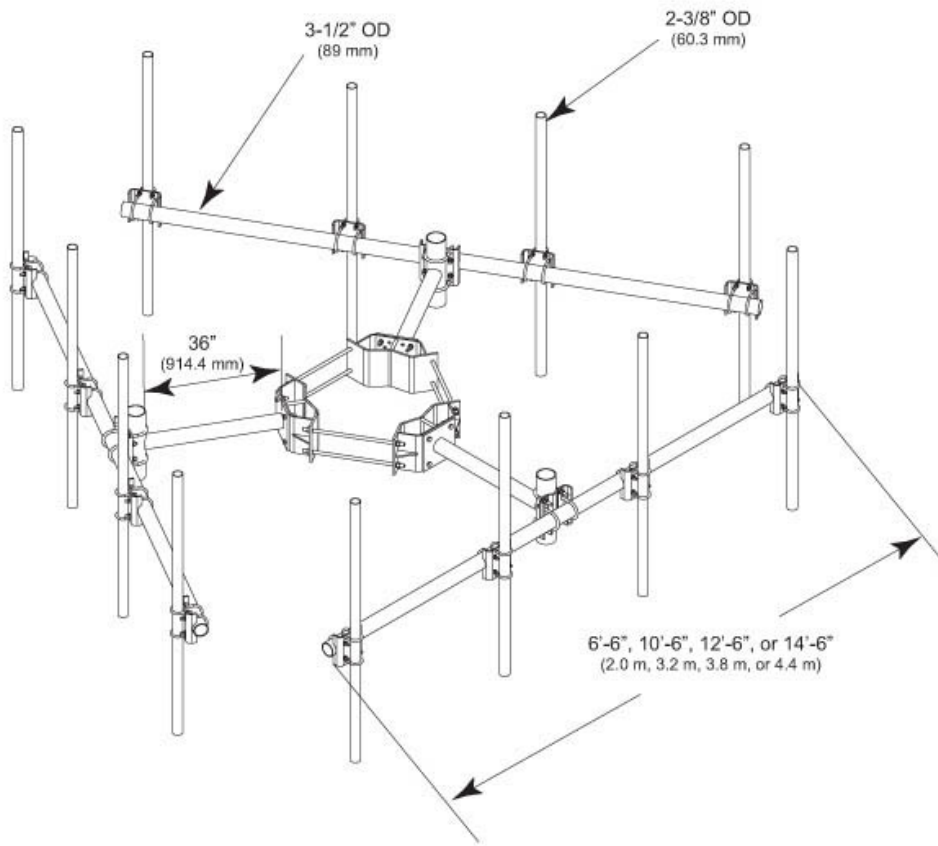
**Mounting Diameter, minimum** 30 in | 762 mm

**Pipe Outer Diameter** 2.4 in | 60.96 mm

**Stand-off Distance** 36 in | 914.4 mm

# MC-K14L-12-96

## Outline Drawing



## Material Specifications

**Material Type** Hot dip galvanized steel

## Mechanical Specifications

**Wind Rating** 120 mph (BWS) at 150 ft AGL | 140 mph (3-second gust) at 150 ft AGL using Exposure D per FBC

**Wind Rating Criteria** Four 72 in x 8 in panel antennas per sector

**Wind Rating Test Method** TIA/EIA-222

## Environmental Specifications

**EPA with 1/2 in (12 mm) radial ice** 16.3 ft<sup>2</sup> | 1.514 m<sup>2</sup>

**EPA without ice** 12.8 ft<sup>2</sup> | 1.189 m<sup>2</sup>

# MC-K14L-12-96

---

## Packaging and Weights

|                           |  |
|---------------------------|--|
| <b>Included</b>           | Cellular pipe frames   Pipe mounts   Ring mount   Stand-off arms |
| <b>Packaging quantity</b> | 1  |
| <b>Weight, net</b>        | 1,441.4 lb   653.808 kg  |

## Regulatory Compliance/Certifications

| <b>Agency</b> | <b>Classification</b>  |
|---------------|--|
| ISO 9001:2015 | Designed, manufactured and/or distributed under this quality management system |



## Included Products

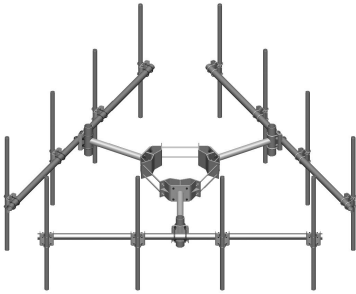
|           |   |  |
|-----------|---|--|
| MC-K14L-B | - | Monopole Co-location T-Frame Kit, 30 in to 60 in OD, 14 ft face, pipe ordered separately |
| MT-219-H  | - | Pipe Mount Kit - 2-3/8" TO 3-1/2" PIPE - pipe not included                               |
| MT-651-96 | - | Plain End Pipe, 2-3/8 in OD x 96 in .120" A500C 46Ksi                                    |

## \* Footnotes

|   |  |
|---|--|
| <b>Wind Rating</b>                        | BWS—Base Wind Speed; FBC—Florida Building Code |
| <b>EPA with 1/2 in (12 mm) radial ice</b> | EPA—Effective Projected Area                   |
| <b>EPA without ice</b>                    | EPA—Effective Projected Area                   |

# MC-K14L-B

---



Monopole Co-location T-Frame Kit, 30 in to 60 in OD, 14 ft face, pipe ordered separately

## Product Classification

**Product Type** Monopole T-frame kit

## General Specifications

**Mounting** Monopole, 762–1524 mm (30–60 in) OD

**Pipe, quantity** 0

**Sectors, quantity** 3

## Dimensions

**Height** 254 mm | 10 in

**Face Width** 4.42 m | 14.5 ft

**Width** 4,419.6 mm | 174 in

**Length** 914.4 mm | 36 in

**Mounting Diameter, maximum** 1524 mm | 60 in

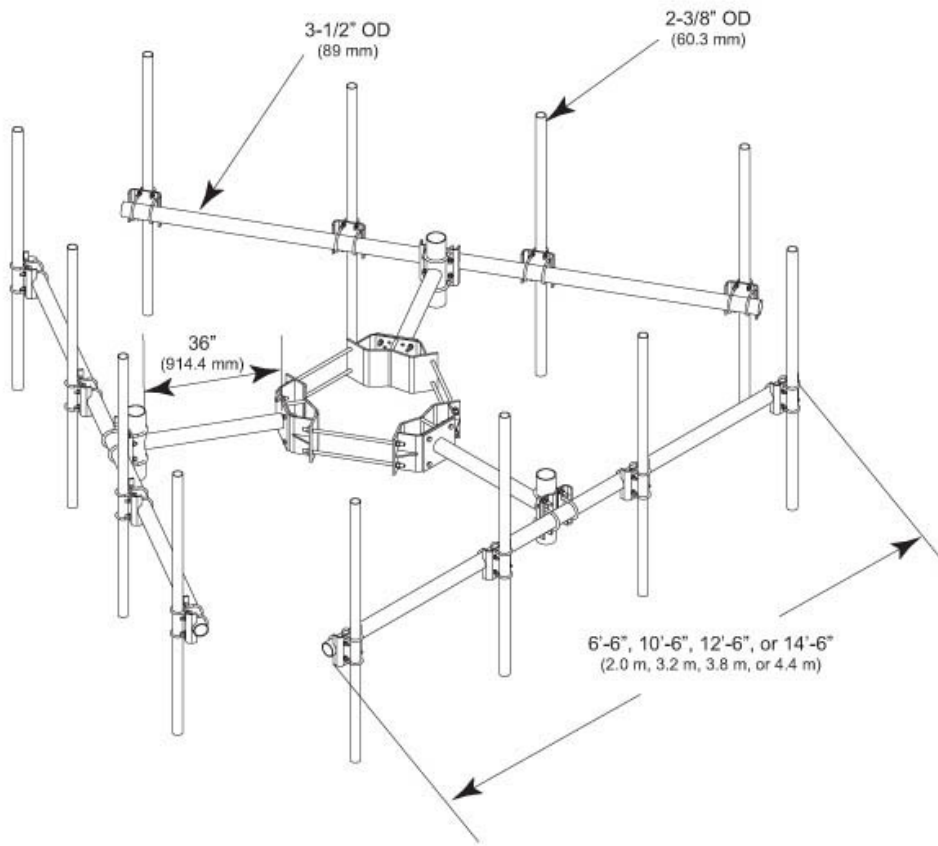
**Mounting Diameter, minimum** 762 mm | 30 in

**Pipe Outer Diameter** 60.96 mm | 2.4 in

**Stand-off Distance** 914.4 mm | 36 in

# MC-K14L-B

## Outline Drawing



## Material Specifications

**Material Type** Hot dip galvanized steel

## Mechanical Specifications

**Wind Rating** 120 mph (BWS) at 150 ft AGL | 140 mph (3-second gust) at 150 ft AGL using Exposure D per FBC

**Wind Rating Criteria** Four 72 in x 8 in panel antennas per sector

**Wind Rating Test Method** TIA/EIA-222

## Environmental Specifications

**EPA with 1/2 in (12 mm) radial ice** 1.514 m<sup>2</sup> | 16.3 ft<sup>2</sup>

**EPA without ice** 1.189 m<sup>2</sup> | 12.8 ft<sup>2</sup>

# MC-K14L-B

---

## Packaging and Weights

|                           |  |
|---------------------------|--|
| <b>Included</b>           | Cellular pipe frames   Ring mount   Stand-off arms |
| <b>Packaging quantity</b> | 1  |
| <b>Weight, net</b>        | 431.684 kg   951.7 lb                              |

## Regulatory Compliance/Certifications

| <b>Agency</b> | <b>Classification</b>  |
|---------------|--|
| ISO 9001:2015 | Designed, manufactured and/or distributed under this quality management system |

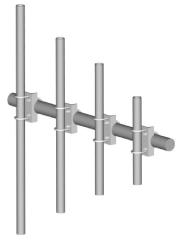


## \* Footnotes

|   |  |
|---|--|
| <b>Wind Rating</b>                        | BWS—Base Wind Speed; FBC—Florida Building Code |
| <b>EPA with 1/2 in (12 mm) radial ice</b> | EPA—Effective Projected Area                   |
| <b>EPA without ice</b>                    | EPA—Effective Projected Area                   |

# MT-219-H

---



Pipe Mount Kit - 2-3/8" TO 3-1/2" PIPE - pipe not included

## Product Classification

**Product Type** Pipe mount kit

## General Specifications

**Mounting** Pipe, 60.3 mm (2-3/8 in ) OD | Pipe, 88.9 mm (3-1/2 in) OD

## Dimensions

**Height** 10 in | 254 mm

**Width** 5 in | 127 mm

**Length** 5 in | 127 mm

**Mounting Diameter, maximum** 3.5 in | 88.9 mm

**Mounting Diameter, minimum** 2.375 in | 60.325 mm

## Material Specifications

**Material Type** Hot dip galvanized steel

## Packaging and Weights

**Included** Crossover bracket | U-bolts

**Packaging quantity** 1

**Weight, net** 4.9 kg | 10.803 lb

## Regulatory Compliance/Certifications

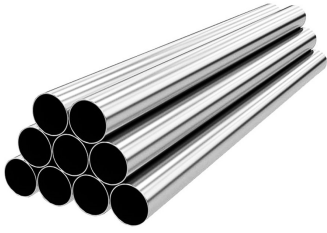
| Agency        | Classification  |
|---------------|---|
| ISO 9001:2015 | Designed, manufactured and/or distributed under this quality management system  |
| REACH-SVHC    | Compliant as per SVHC revision on <a href="https://www.commscope.com/ProductCompliance">www.commscope.com/ProductCompliance</a> |
| ROHS          | Compliant   |
| UK-ROHS       | Compliant   |





# MT-651-96

---



Plain End Pipe, 2-3/8 in OD x 96 in .120" A500C 46Ksi

## Product Classification

**Product Type** Plain end pipe

## General Specifications

**Pipe, quantity** 1

## Dimensions

**Height** 60.96 mm | 2.4 in  
**Width** 60.96 mm | 2.4 in  
**Length** 2,438.4 mm | 96 in  
**Pipe Length** 2,438.4 mm | 96 in  
**Pipe Outer Diameter** 60.96 mm | 2.4 in  
**Material Thickness** 3.048 mm | 0.12 in

## Material Specifications

**Material Type** A500 | Hot dip galvanized steel  
**Material Grade** C  
**Material Strength** 46 KSI

## Packaging and Weights

**Included** Pipe  
**Packaging quantity** 1  
**Weight, net** 10 kg | 22.046 lb

## Regulatory Compliance/Certifications

| Agency        | Classification   |
|---------------|--|
| CHINA-ROHS    | Above maximum concentration value  |
| ISO 9001:2015 | Designed, manufactured and/or distributed under this quality management system |

# MT-651-96

---

ROHS Compliant/Exempted

UK-ROHS Compliant/Exempted

