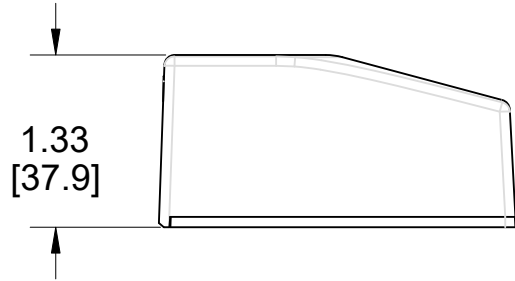
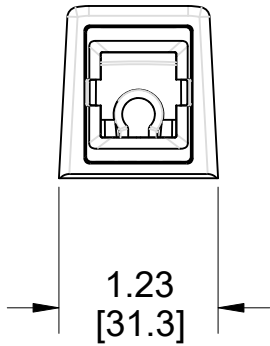
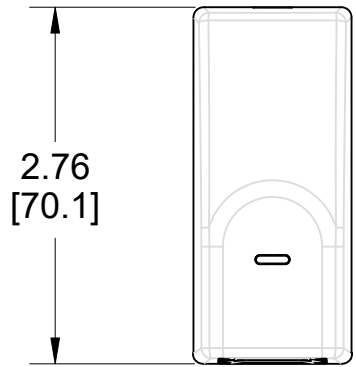


MATERIAL ID	DESCRIPTION
760254710	SMB-1P-246



NOTES:

1. SEE COMMSCOPE CATALOG FOR PART NUMBER SUFFIXES TO INDICATE COLOR/PKG.
2. SEE COMMSCOPE CATALOG FOR COMPLETE LIST OF PARTS RELATED TO THE USE OF THIS PRODUCT.
3. DIMENSIONS IN PARENTHESES ARE IN METRIC[MM].
4. PART INCLUDES:
  - (1) 1 PORT BASE FOR SMB, ELECTRIC IVORY
  - (1) 1 PORT COVER FOR SMB, ELECTRIC IVORY
  - (2) TAPE

SMB-1P-246	
<b>COMMSCOPE, INC</b> OF NORTH CAROLINA	
DRAWN BY JW	
DATE 10/21/2022	DWG NO 760254710

REV	DATE	ECR	DESCRIPTION	APPROVED BY
1	10/21/22		INITIAL ISSUE	FW