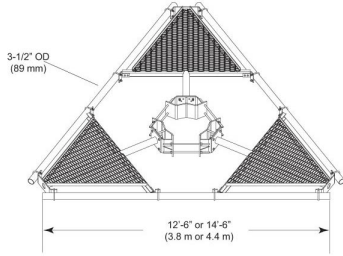


# MC-PK12S-B



Low-Profile Co-location Platform Kit, 12 ft face, 10 in to 30 in OD, pipe ordered separately

## OBSOLETE

This product was discontinued on: August 18, 2022

### Replaced By:

MC-PK12M-B

Low-Profile Co-location Platform Base Kit, 12 ft face, 12 in to 50 in OD, pipe ordered separately

## Product Classification

**Product Type** Monopole platform kit

## General Specifications

**Mounting** Monopole, 254–762 mm (10–30 in) OD

**Pipe, quantity** 0

**Sectors, quantity** 3

## Dimensions

**Height** 254 mm | 10 in

**Face Width** 3.81 m | 12.5 ft

**Width** 3810 mm | 150 in

**Length** 914.4 mm | 36 in

**Face Support Pipe Diameter** 88.9 mm | 3.5 in

**Mounting Diameter, maximum** 762 mm | 30 in

**Mounting Diameter, minimum** 254 mm | 10 in

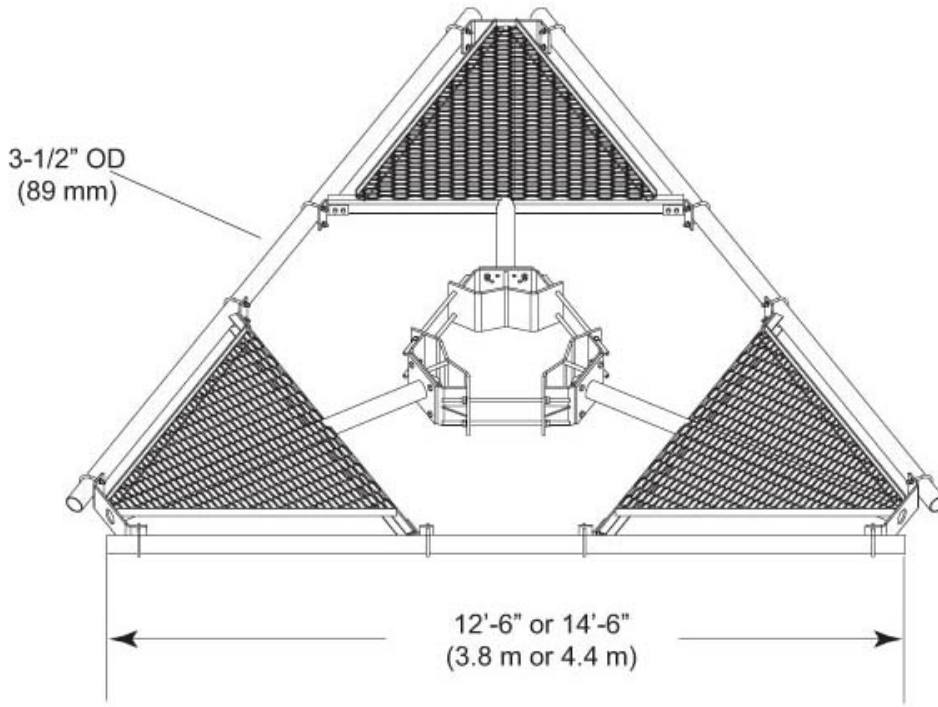
**Pipe Outer Diameter** 0 mm | 0 in

**Mounting Circumference, maximum** 2,392.68 mm | 94.2 in

**Mounting Circumference, minimum** 797.56 mm | 31.4 in

# MC-PK12S-B

## Outline Drawing



## Material Specifications

**Material Type** Hot dip galvanized steel

## Mechanical Specifications

**Wind Rating** 120 mph (BWS) at 150 ft AGL | 140 mph (3-second gust) at 150 ft AGL using Exposure D per FBC

**Wind Rating Criteria** Four 72 in x 8 in panel antennas per sector

**Wind Rating Test Method** TIA/EIA-222

## Environmental Specifications

**EPA with 1/2 in (12 mm) radial ice** 1.05 m<sup>2</sup> | 11.3 ft<sup>2</sup>

**EPA without ice** 0.818 m<sup>2</sup> | 8.8 ft<sup>2</sup>

## Packaging and Weights

**Included** Pipe mounts | Platform | Ring mount

# MC-PK12S-B

---

**Packaging quantity** 1  
**Weight, net** 509.52 kg | 1,123.3 lb

## Regulatory Compliance/Certifications

Agency	Classification
ISO 9001:2015	Designed, manufactured and/or distributed under this quality management system



## Included Products

- |             |  |
|-------------|--|
| MC-RM1030-3 | - Universal Ring Mount, 10 in to 30 in OD  |
| MT-196      | - Low Profile Co-location Base Platform, 12 ft face. Ring Mount & Antenna Pipes Sold Separately. |

## \* Footnotes

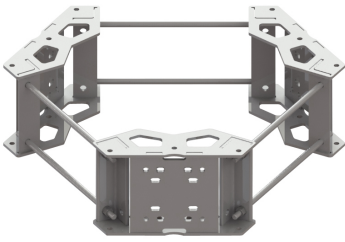
**Wind Rating** BWS—Base Wind Speed; FBC—Florida Building Code

**EPA with 1/2 in (12 mm) radial ice** EPA—Effective Projected Area

**EPA without ice** EPA—Effective Projected Area

# MC-RM1030-3

---



Universal Ring Mount, 10 in to 30 in OD

## Product Classification

**Product Type** Universal ring mount

## General Specifications

**Mounting** Monopole, 254–762 mm (10–30 in) OD

**Pipe, quantity** 0

**Sectors, quantity** 3

## Dimensions

**Height** 254 mm | 10 in

**Length** 152.4 mm | 6 in

**Mounting Diameter, maximum** 762 mm | 30 in

**Mounting Diameter, minimum** 254 mm | 10 in

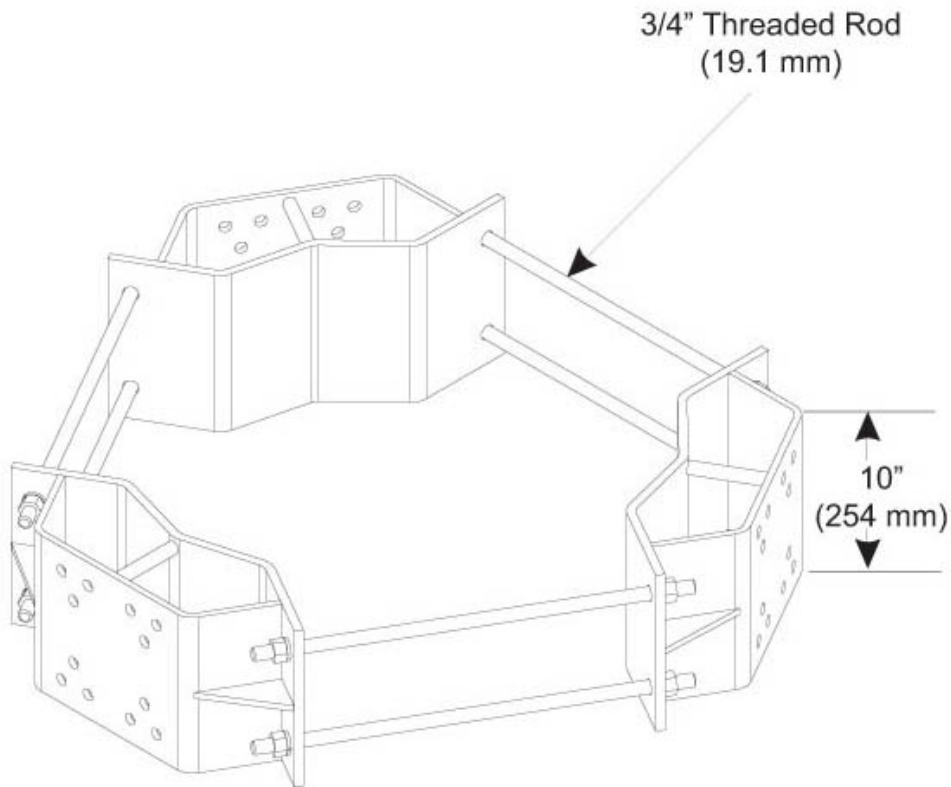
**Pipe Outer Diameter** 0 mm | 0 in

**Mounting Circumference, maximum** 2,392.68 mm | 94.2 in

**Mounting Circumference, minimum** 797.56 mm | 31.4 in

# MC-RM1030-3

## Outline Drawing



## Material Specifications

**Material Type** Hot dip galvanized steel

## Mechanical Specifications

**Wind Rating** 140 mph (BWS) at 150 ft AGL | 160 mph (3-second gust) at 150 ft AGL using Exposure D per FBC

**Wind Rating Criteria** Four 72 in x 8 in panel antennas per sector

**Wind Rating Test Method** TIA/EIA-222

## Packaging and Weights

**Included** Mount | Threaded rod

**Packaging quantity** 1

**Weight, net** 86.319 kg | 190.3 lb

# MC-RM1030-3

---

## Regulatory Compliance/Certifications

Agency	Classification
ISO 9001:2015	Designed, manufactured and/or distributed under this quality management system

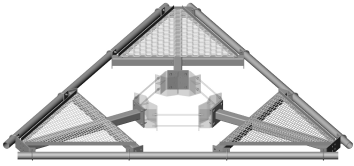


### \* Footnotes

<b>Wind Rating</b>	BWS—Base Wind Speed; FBC—Florida Building Code
--------------------	--

# MT-196

---



Low Profile Co-location Base Platform, 12 ft face. Ring Mount & Antenna Pipes Sold Separately.

## Product Classification

**Product Type** Monopole platform kit

## General Specifications

**Mounting** Ring mount

**Sectors, quantity** 3

## Dimensions

**Height** 254 mm | 10 in

**Face Width** 3.81 m | 12.5 ft

**Width** 3810 mm | 150 in

**Length** 914.4 mm | 36 in

**Face Support Pipe Diameter** 88.9 mm | 3.5 in

**Mounting Diameter, maximum** 762 mm | 30 in

**Mounting Diameter, minimum** 254 mm | 10 in

**Pipe Outer Diameter** 0 mm | 0 in

## Material Specifications

**Material Type** Hot dip galvanized steel

## Mechanical Specifications

**Wind Rating** 120 mph (BWS) at 150 ft AGL | 140 mph (3-second gust) at 150 ft AGL using Exposure D per FBC

**Wind Rating Criteria** Four 72 in x 8 in panel antennas per sector

**Wind Rating Test Method** TIA/EIA-222

## Environmental Specifications

**EPA with 1/2 in (12 mm) radial ice** 1.05 m<sup>2</sup> | 11.3 ft<sup>2</sup>

# MT-196

---

**EPA without ice** 0.818 m<sup>2</sup> | 8.8 ft<sup>2</sup>

## Packaging and Weights

**Included** Platform  
**Packaging quantity** 1  
**Weight, net** 509.52 kg | 1,123.3 lb

## Regulatory Compliance/Certifications

Agency	Classification
CHINA-ROHS	Below maximum concentration value
ISO 9001:2015	Designed, manufactured and/or distributed under this quality management system
REACH-SVHC	Compliant as per SVHC revision on <a href="http://www.commscope.com/ProductCompliance">www.commscope.com/ProductCompliance</a>
ROHS	Compliant
UK-ROHS	Compliant



## \* Footnotes

**Wind Rating** BWS—Base Wind Speed; FBC—Florida Building Code  
**EPA with 1/2 in (12 mm) radial ice** EPA—Effective Projected Area  
**EPA without ice** EPA—Effective Projected Area