

4

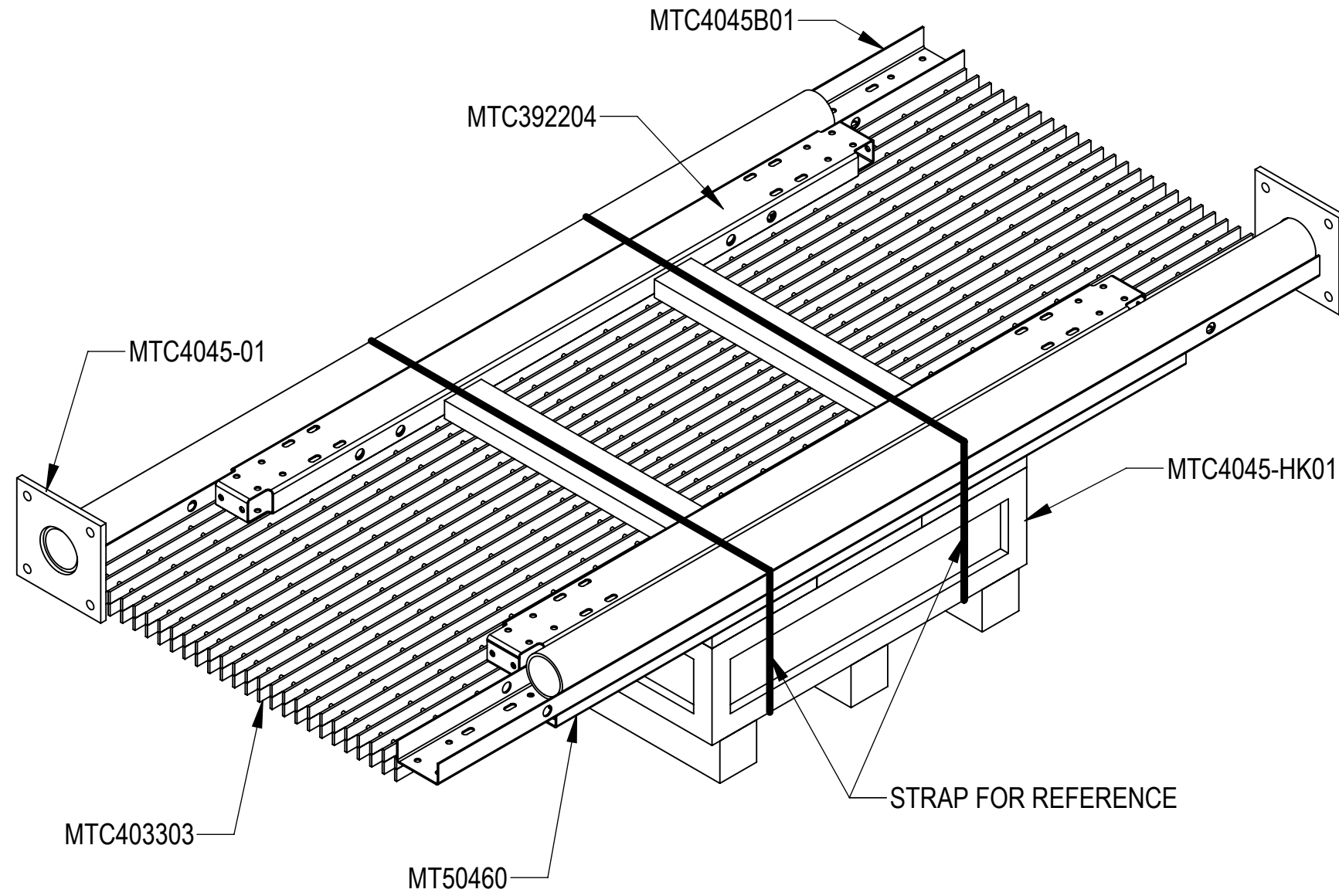
3

2

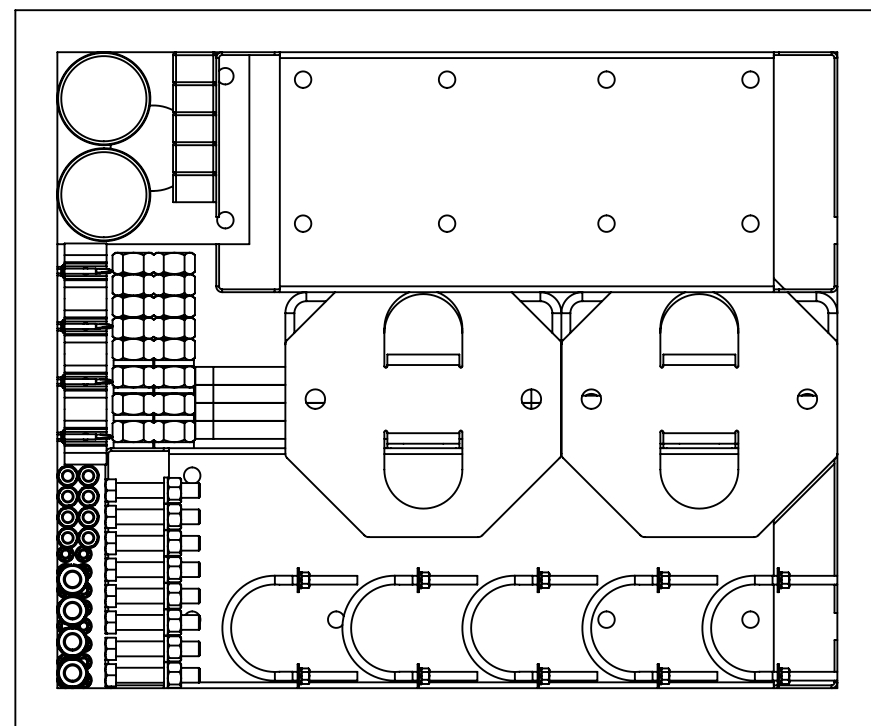
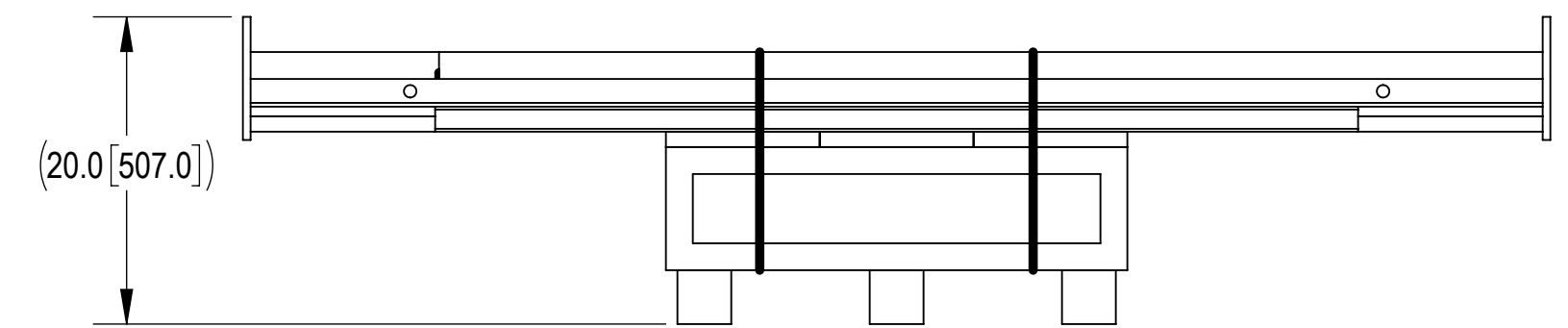
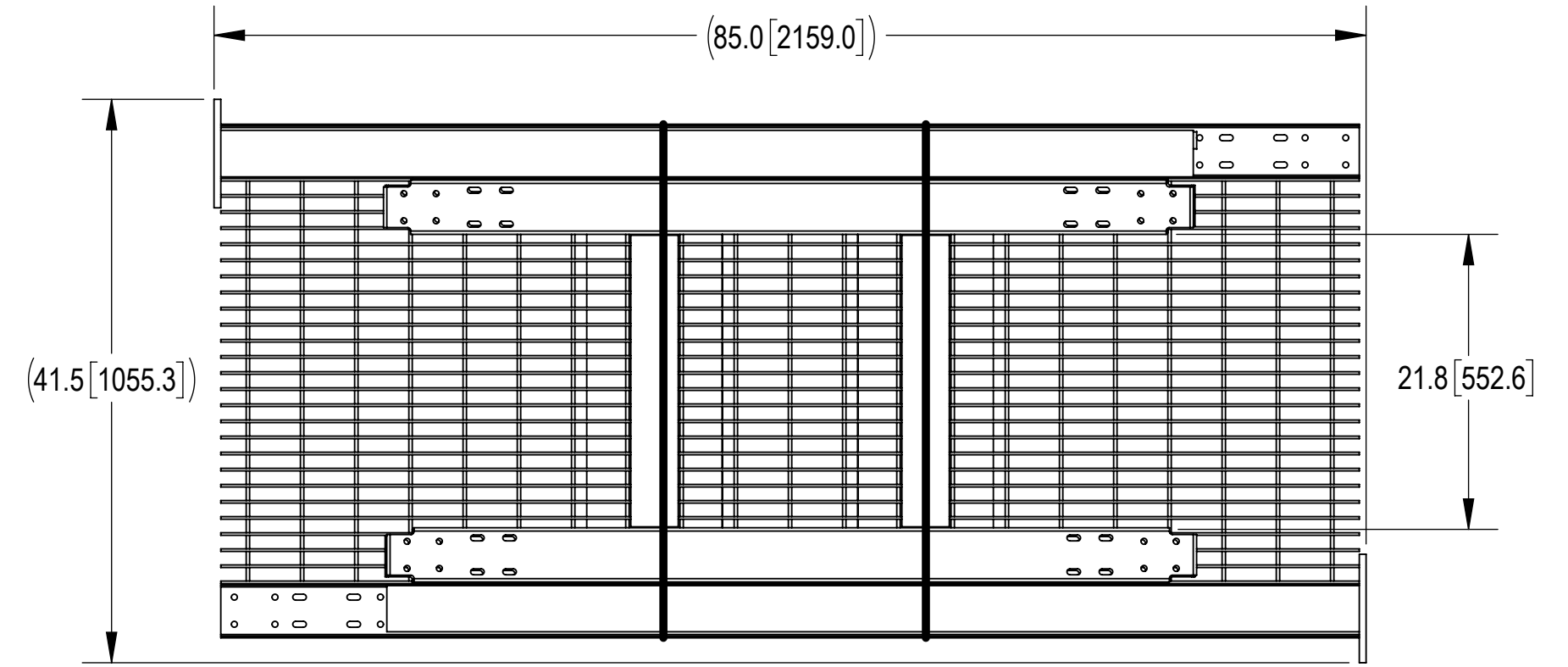
1

- 1.0 GENERAL NOTES
 - 1.1 ALL METRIC DIMENSIONS ARE IN BRACKETS [X. X]
 - 1.2 FOR PATENT INFO: <https://www.cs-pat.com>
- 2.0 DESIGN NOTES
- 3.0 MANUFACTURING/SPECIAL REQUIREMENTS
 - 3.1 TIGHTEN ALL BOLTS SECURING FLAT PLATES BY THE TURN-OF-NUT METHOD. TIGHTEN ALL U-BOLTS USING TURN-OF-NUT METHOD WITH ATTENTION TO LEAVE EQUAL DISTANCE AND EQUAL FORCE ON EACH LEG OF THE U-BOLT.
 - 3.2 EOR TO DETERMINE IF GROUND ANCHORS ARE NEEDED.
- 4.0 TEST
- 5.0 PACKAGING
 - 5.1 PACKAGING SHALL MEET COMMSCOPE REQUIREMENTS PER DOCUMENT IS-PL-3005
 - 5.2 PRINTED DOCUMENT TO BE PLACED INSIDE POLYBAG AND THEN IN SHIPPING CONTAINER
 - 5.3 EXTRA HARDWARE MAYBE SUPPLIED, BAGGED AND SHIPPED

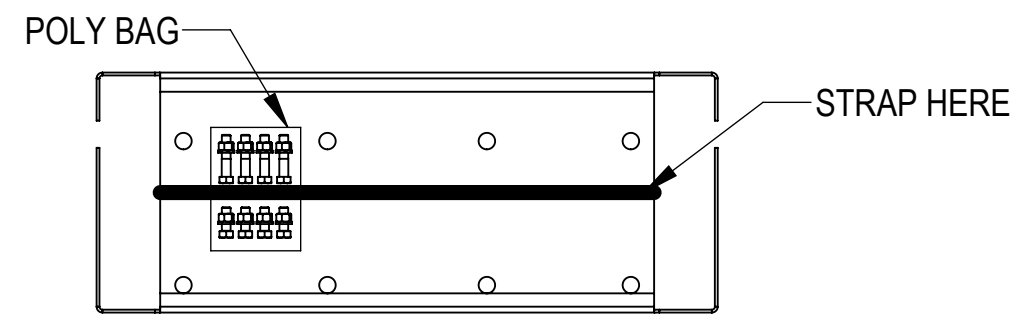
REVISIONS			
REV.	DESCRIPTION	DATE	APPROVED
B	UPDATED/ADDED TORQUE NOTES 2.1, 2.2, 2.3 & 2.4	HDAI 27SEP2021	40136175CMO
C	SHEET1: ADDED PACKAGE VIEW & UPDATED NOTES SHEET2: UPDATED ASSEMBLY PER MTC4045LP CHANGES; ADDED SHEET3 VIEW	JL1183 29DEC21	AJ1022 40140103CMO
D	REMOVED MATERIAL	YMENG 04APR23	BCROSS 40168854CMO
E	UPDATED ASSEMBLY PER MTC392204 CHANGES	JL1183 12APR23	XK1001 40169500CMO
F	UPDATED PACKAGE AND ADDED HARDWARE KIT MTC4045-HK01	LL1090 27JUL23	BA1025 40175022CMO



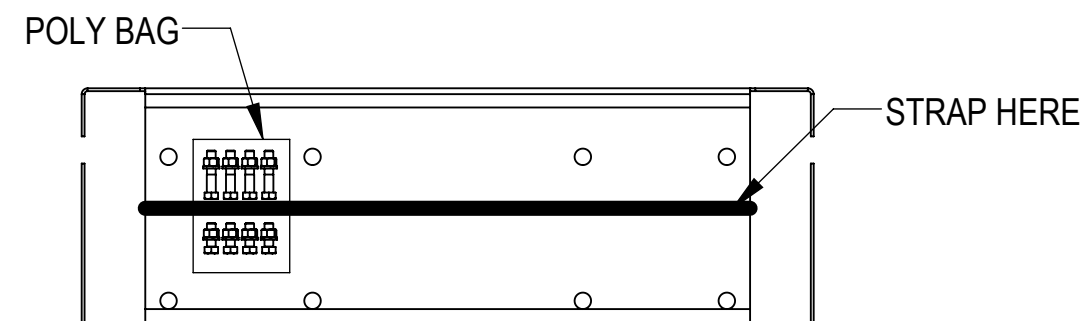
MTC4045LPHF PACKING VIEW



MTC4045-HK01



LPCKN



LPCKM

DENSITY	743.04	lbs/in ³
MASS	743.04	lbs
VOLUME	7152.59	in ³
SURFACE AREA	37810.22	in ²
HEIGHT	20.0[507.0]	
LENGTH	85.0[2159.0]	
WIDTH	41.5[1055.3]	

© 2023 CommScope, Inc.

COMMSCOPE, INC. OF NORTH CAROLINA											
TOLERANCES					SAP MATERIAL MASTER						
1 PLACE .X[X] ± 0.25[6.3]			3 PLACE .XXX[X] ± 0.06[1.5]		MTC4045LPHF						
2 PLACE .XX[X] ± 0.12[3.0]			ANGLES ± 2°								
FINISH					MATERIAL						
UNLESS OTHERWISE SPECIFIED DIMENSIONS ARE IN INCHES INTERPRET PER ANSI Y 14.5M-1994	NAME	DATE	TITLE								
	CE XZ1054	03/04/2021	5X7 PLATFORM, LOW PROFILE WITH H-FRAME								
	RW LL1090	08/01/2023									
	AD YMENG	08/01/2023	SCALE	DOCUMENT NO.		MTC4045LPHF					
	RE YMENG	08/09/2023	1:24								
ECN 40175022CMO			SIZE	Auth Group	INSL	MODEL		DRAWING			SHEET
C			VERSION	STATUS	REVISION	VERSION	STATUS	REVISION	REVISION	1 OF 3	
			00	RE	A	05	RE	F			

4

3

2

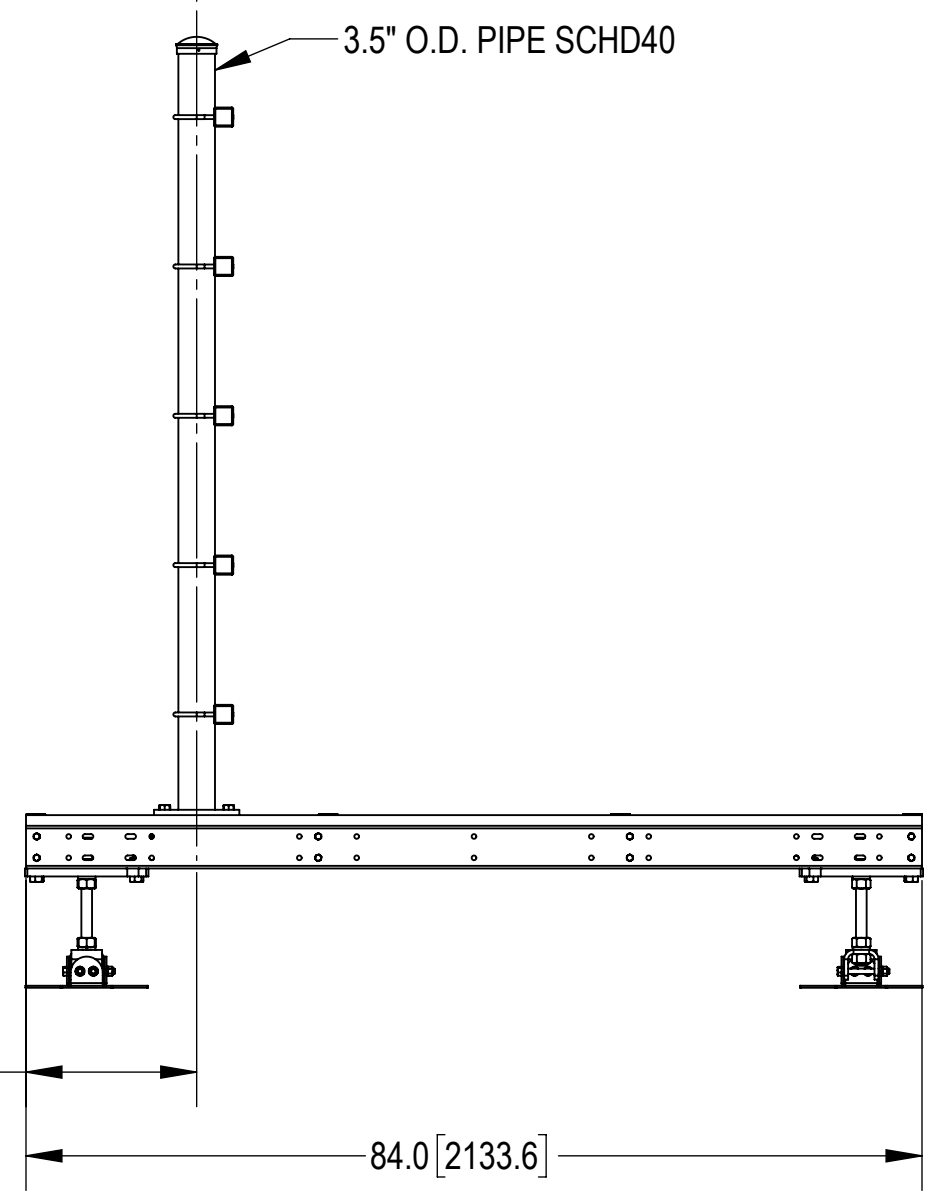
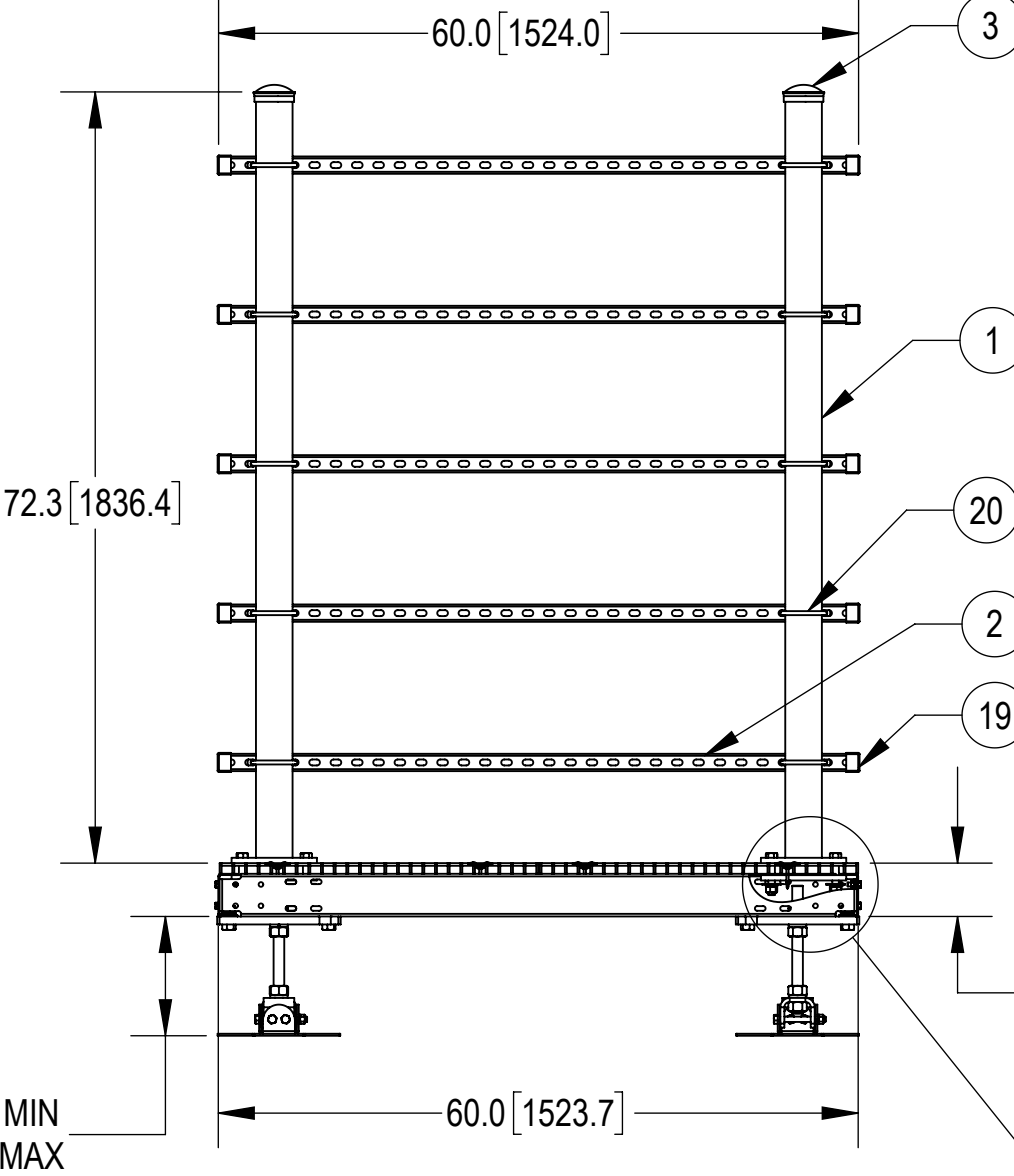
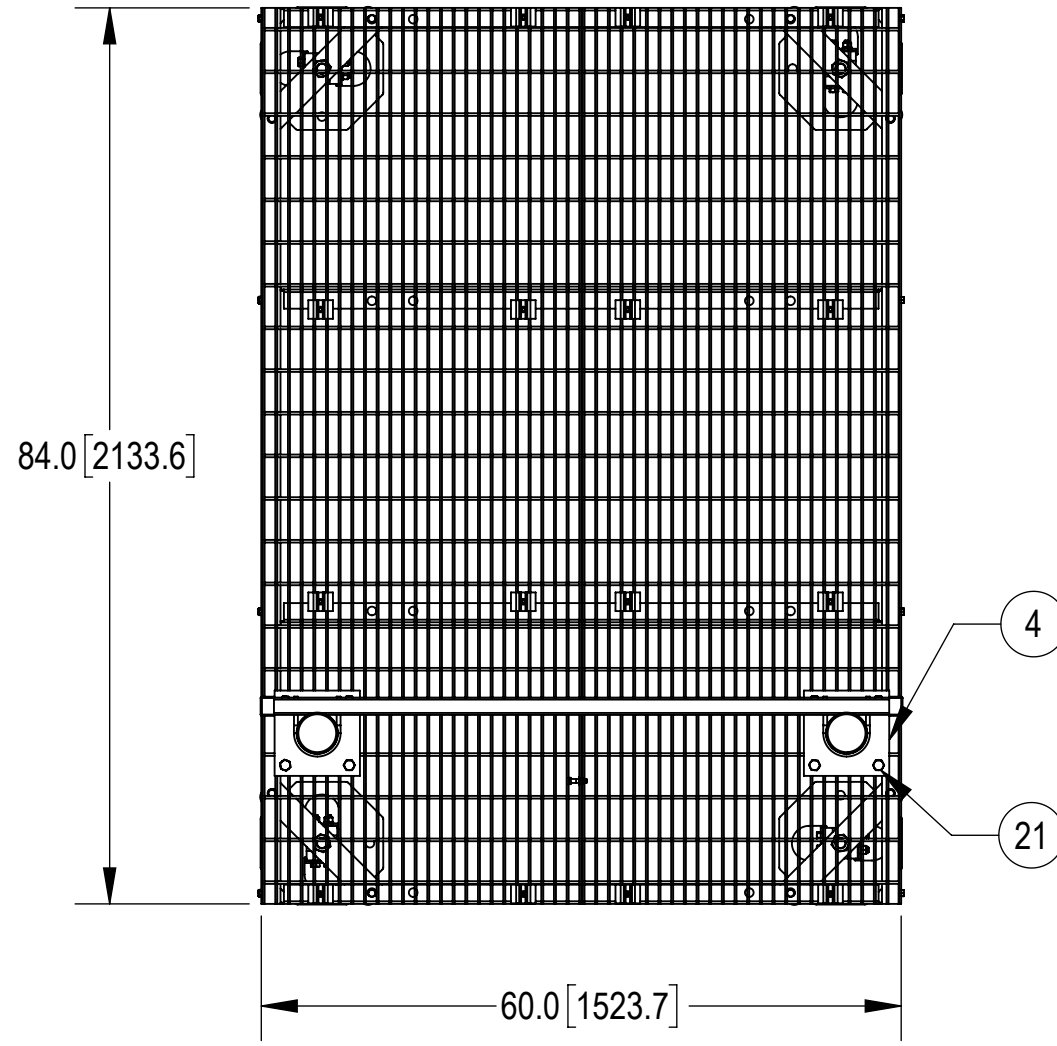
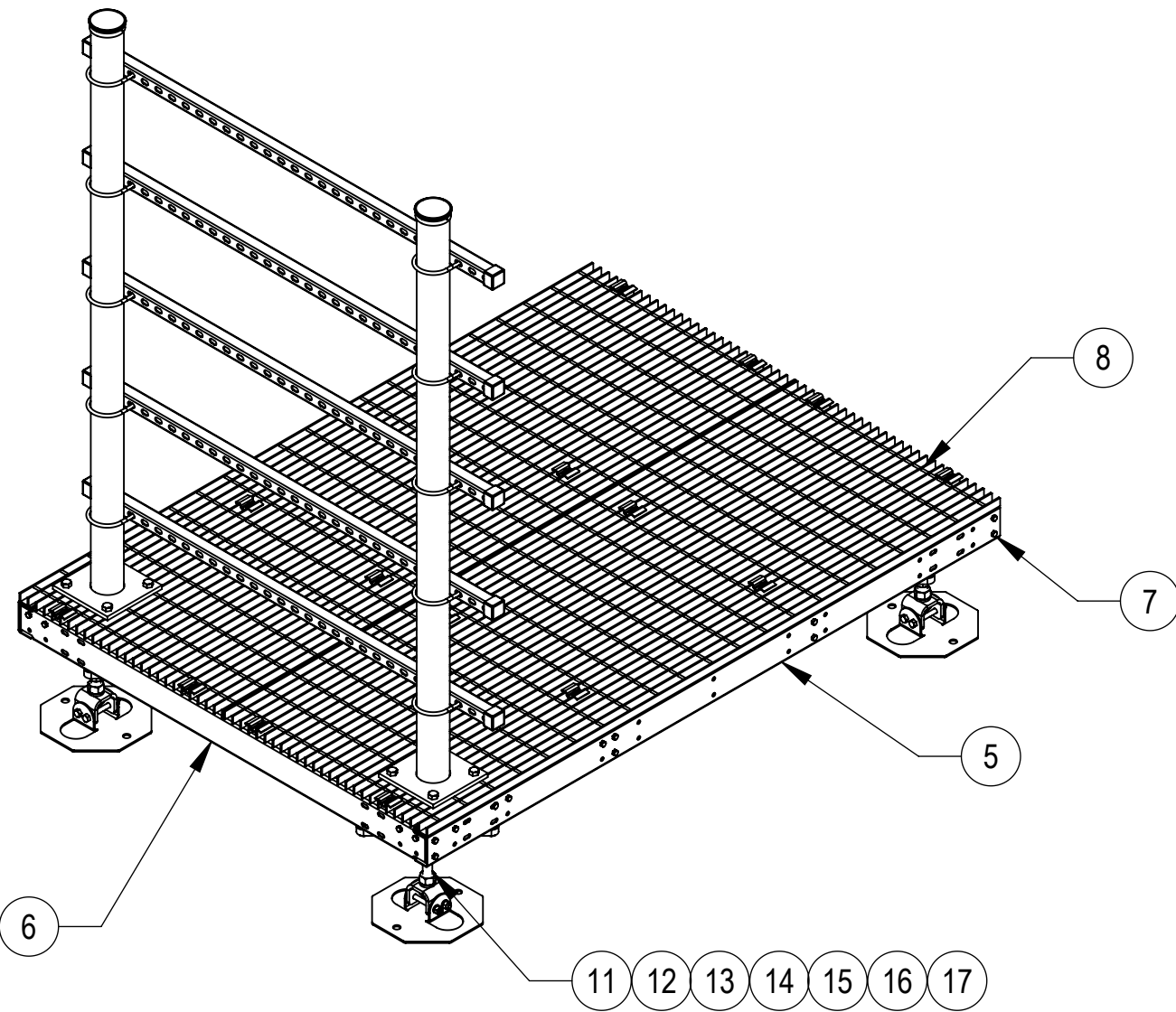
1

4

3

2

1



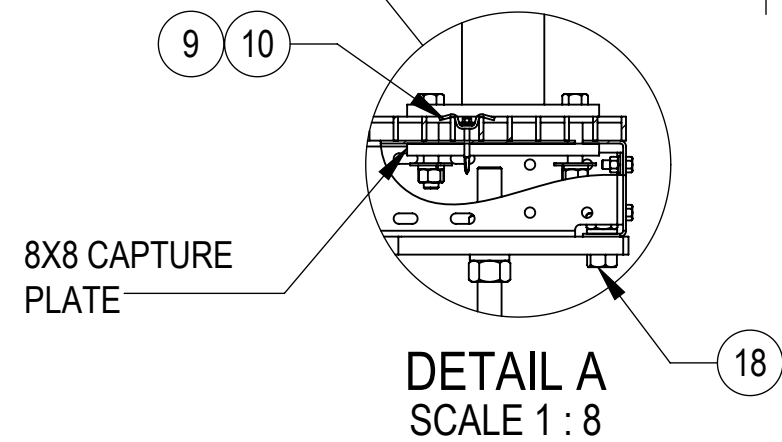
COMPONENT PART NUMBERS PROVIDED FOR ASSEMBLY PURPOSES;
INDIVIDUAL COMPONENTS MAY BE SHIPPED AS PARTS WITHIN AN INCLUDED KIT.

ITEM NO.	PART NUMBER	DESCRIPTION	WEIGHT	QTY.
1	MTC4045-01	WELDMENT, 6\"/>		

10.50[266.7] MIN
17.50[444.5] MAX

5.0 [127.0]

16.0 [406.4]
REF



COMMSCOPE, INC. OF NORTH CAROLINA				
TITLE 5X7 PLATFORM, LOW PROFILE WITH H-FRAME				
SIZE C	SCALE 1:24	DOCUMENT NO. MTC4045LPHF		
		DRAWING		SHEET
		VERSION	STATUS	REVISION
		05	RE	F
				2 OF 3

© 2023 CommScope, Inc.

4

3

2

1

4

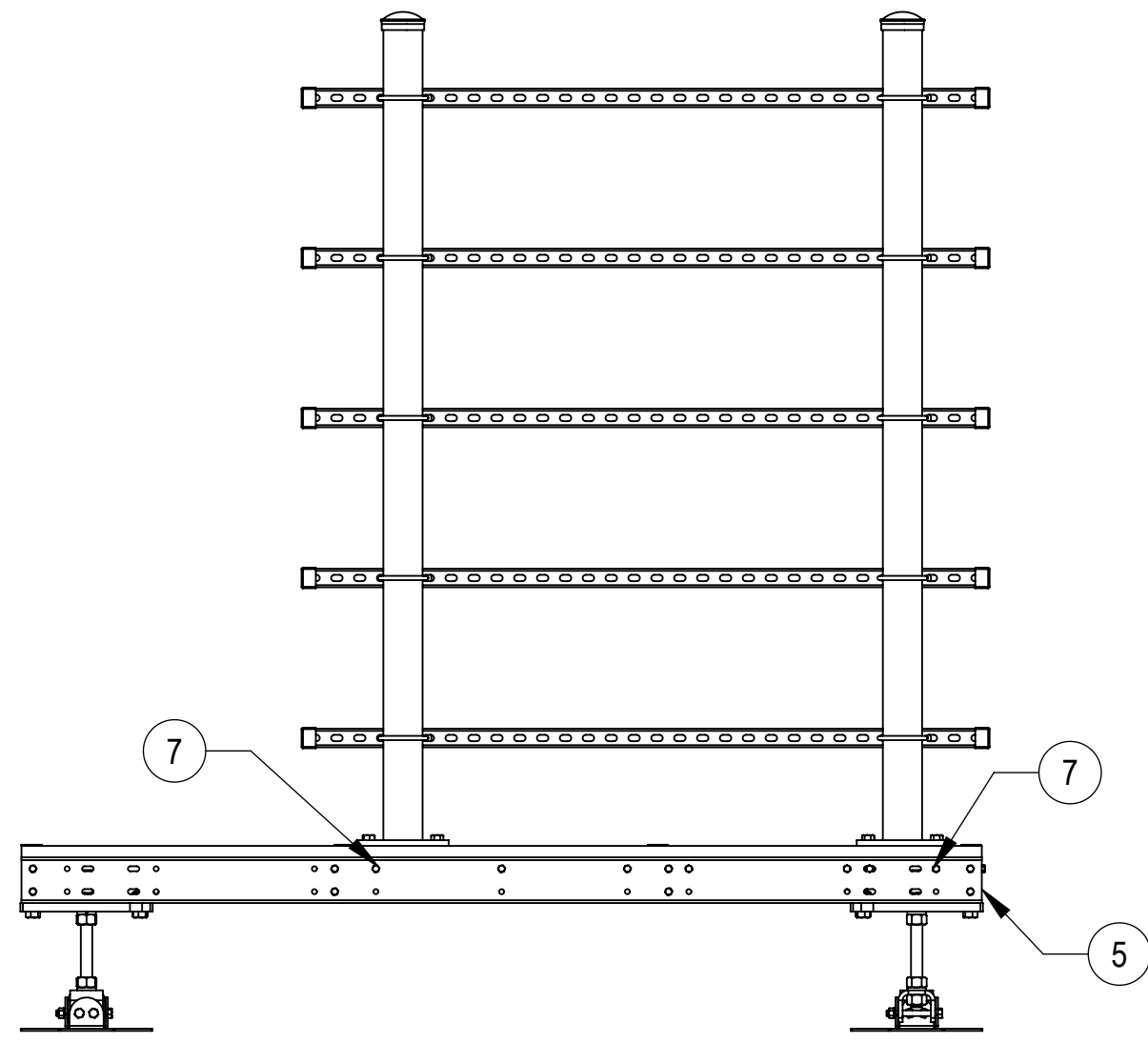
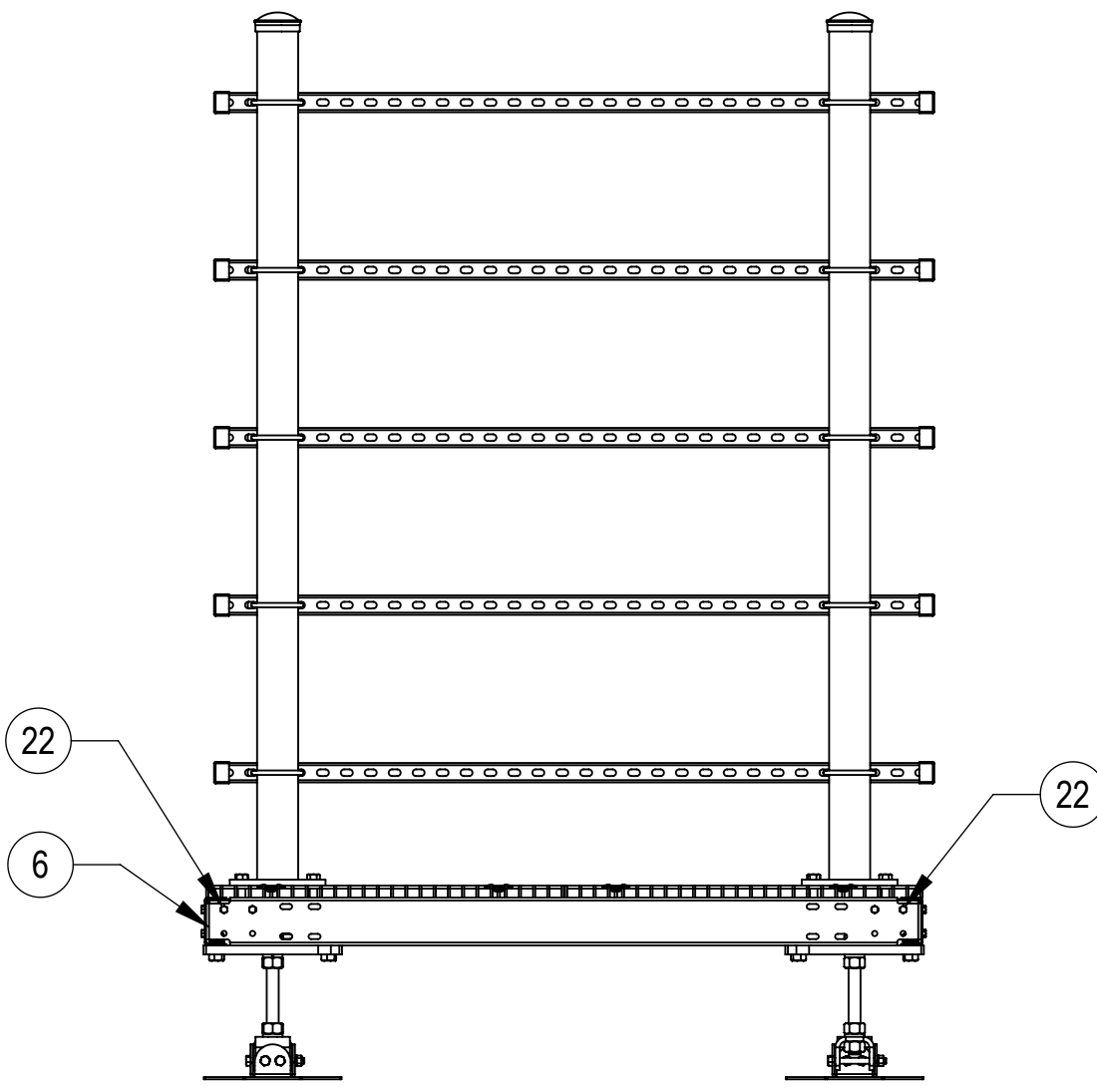
3

2

1

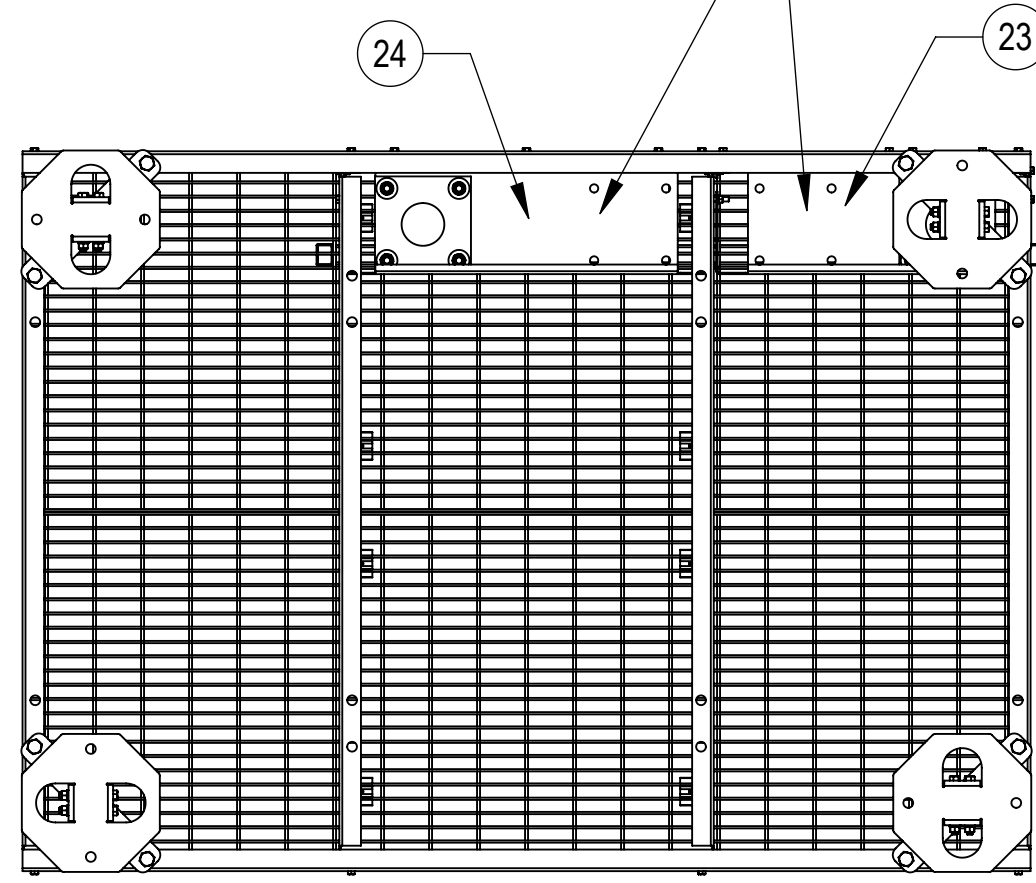
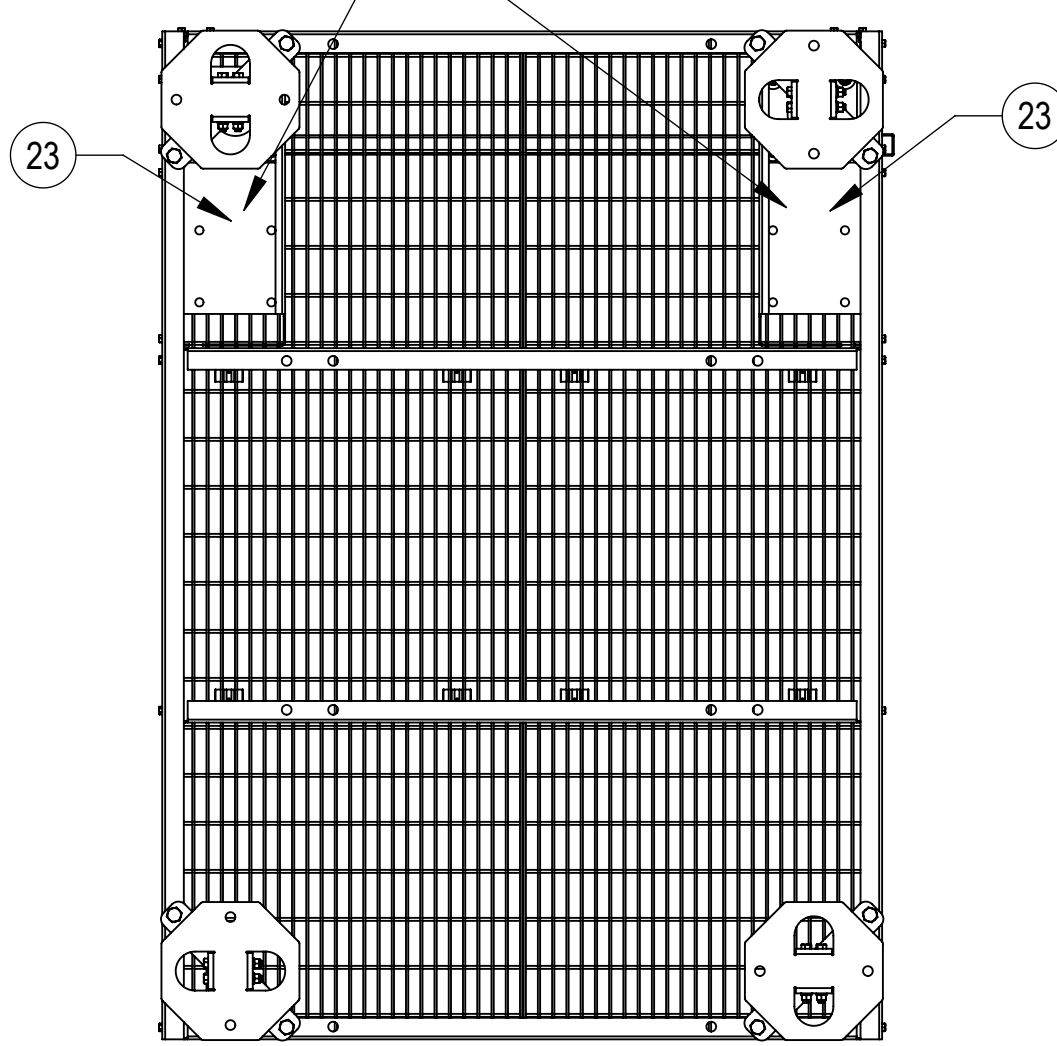
H FRAME IN BACK MOUNTED POSITION

H FRAME IN SIDE MOUNTED POSITION



2X LPCKN KITS REQUIRED FOR BACK MOUNTING H FRAME

1X LPCKN AND 1X LPCKM KITS REQUIRED FOR SIDE MOUNTING H FRAME



COMMSCOPE, INC. OF NORTH CAROLINA

TITLE
5X7 PLATFORM, LOW PROFILE WITH H-FRAME

SIZE C	SCALE 1:24	DOCUMENT NO. MTC4045LPHF
------------------	----------------------	------------------------------------

DRAWING			SHEET 3 OF 3
VERSION 05	STATUS RE	REVISION F	

© 2023 CommScope, Inc.

4

3

2

1

D

D

C

C

B

B

A

A