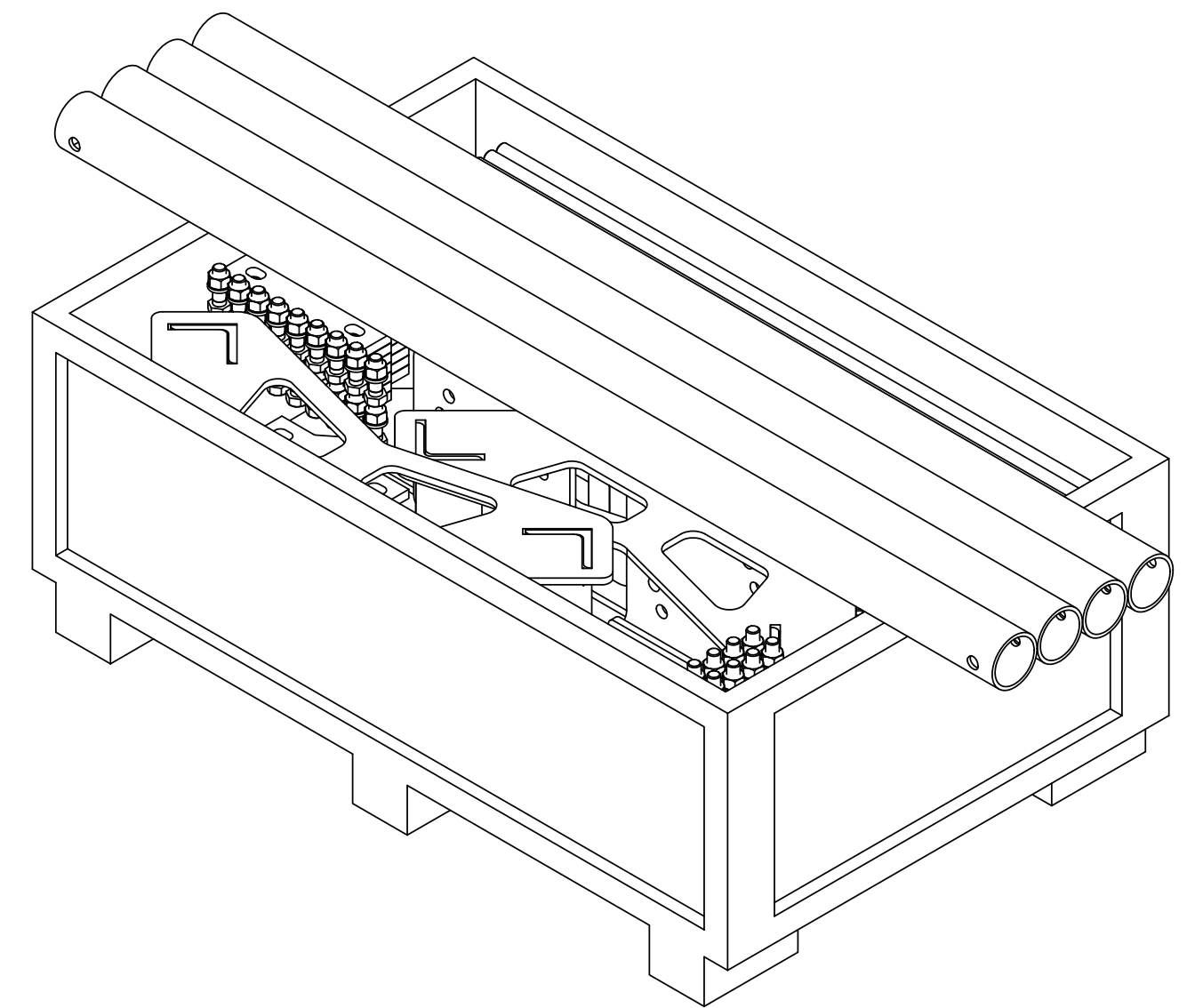


ITEM	PART NO.	DESCRIPTION	QTY.	WEIGHT	NOTE NO.
1	CR3060	Wood Crate 42 x 26 x 13 ID	1	29.64 LBS	
2	MTC30653060401	3060 4 Sector Ringmount Weldment	4	47.27 LBS	
3	RK01	KICKER STANDOFF WELDMENT	4	12.54 LBS	
4	RK02	CONNECTION BRACKET	8	1.21 LBS	
5	RK60	KICKER ARM SUPPORT TUBE 5'	4	26.75 LBS	
6	DCP10	SMALL CLAMP HALF	8	2.21 LBS	
7	MTC323704	Clamp Bar	8	2.37 LBS	
8	MT38440	3/4" X 40" GALV THREADED ROD GRADE B7	8	4.98 LBS	
9	MT-381-8	5/8" X 8" GALV THREADED ROD	8	0.69 LBS	1
10	GWL-06	3/4" GALV LOCK WASHER	16	0.04 LBS	1
11	GN-06	3/4" GALV HEX NUT	16	0.15 LBS	1
12	GWF-05	5/8" GALV FLAT WASHER	18	0.06 LBS	1
13	GWL-05	5/8" GALV LOCK WASHER	18	0.03 LBS	1
14	GN-05	5/8" GALV HEX NUT	18	0.08 LBS	1
15	GB-0520A	5/8" X 2" GALV BOLT KIT (A325)	18	0.26 LBS	1
16	GB-0550A	5/8" X 5" GALV BOLT KIT (A325)	10	0.52 LBS	1
17	DOCUMENT RECORD	INSERT DRAWING RK-60-4L INTO CRATE	1	-	

REVISIONS				
REV.	ECN	DESCRIPTION	BY	DATE
A	8000005392	INITIAL RELEASE	MSM	10/20/14
B	8000026067	REPLACED CRATE AND GALV BOLT GB0546A	QDL	9/7/2017

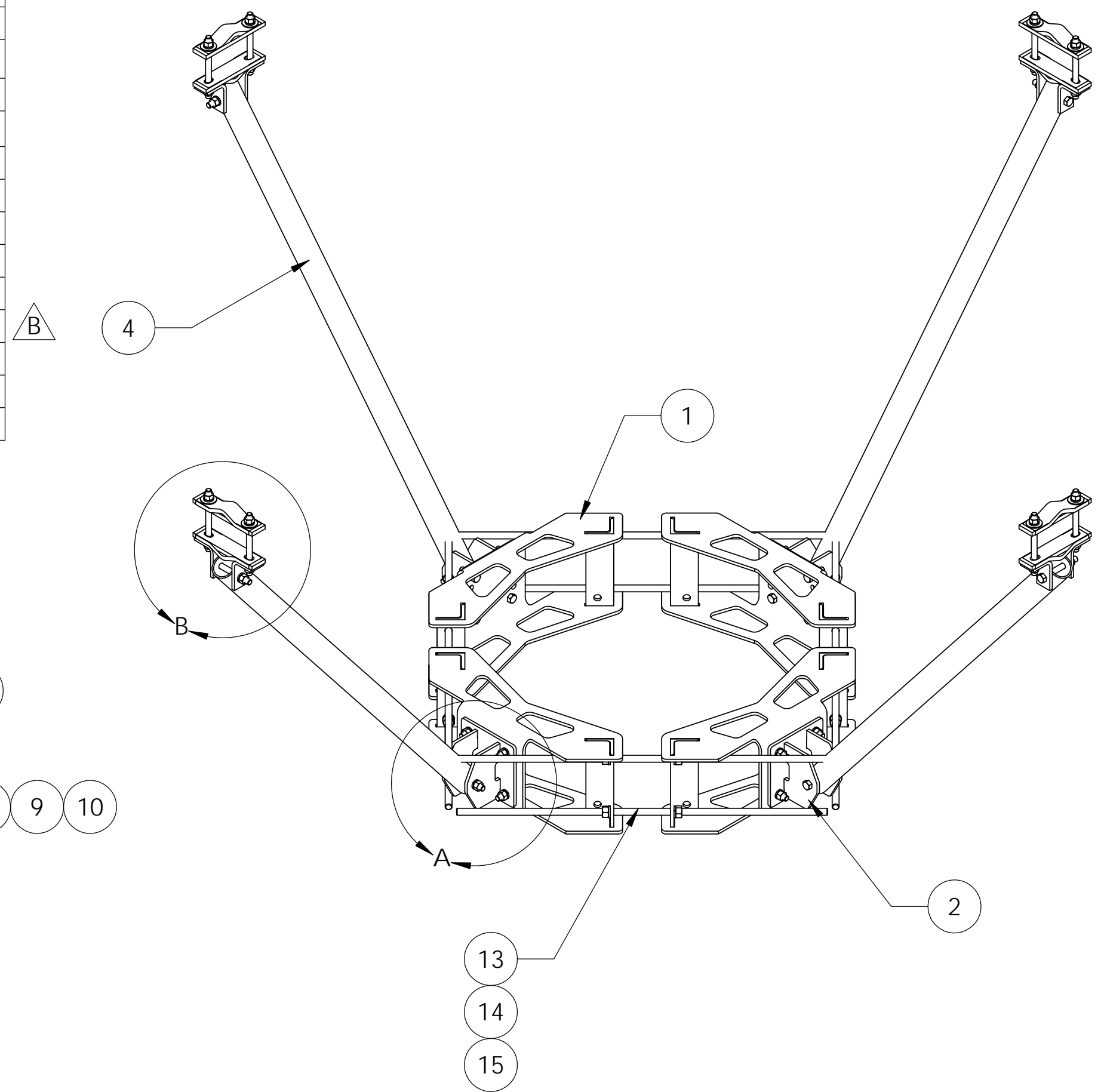
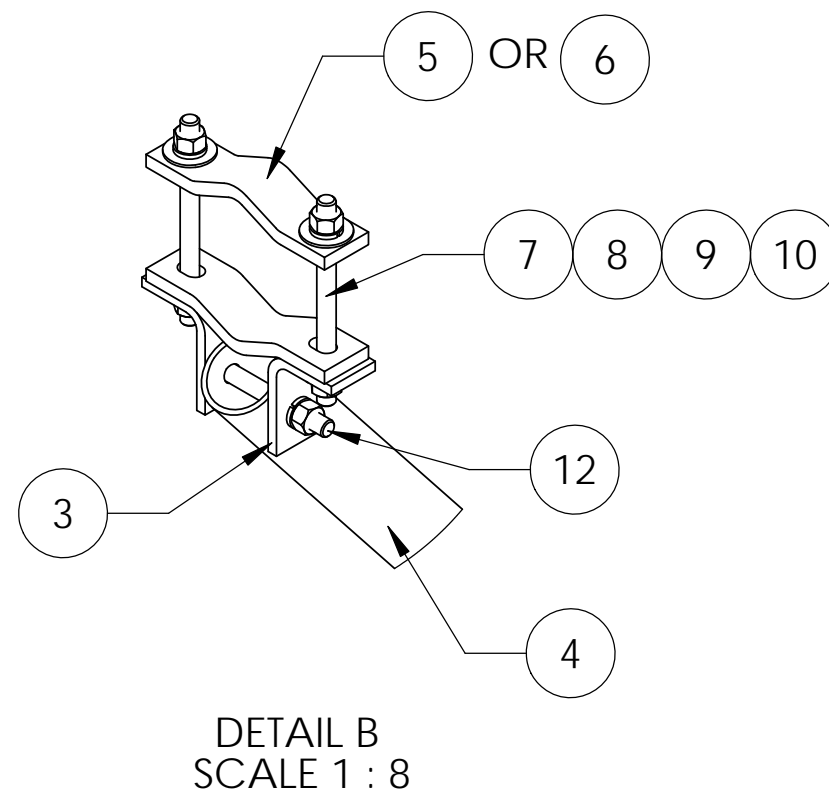
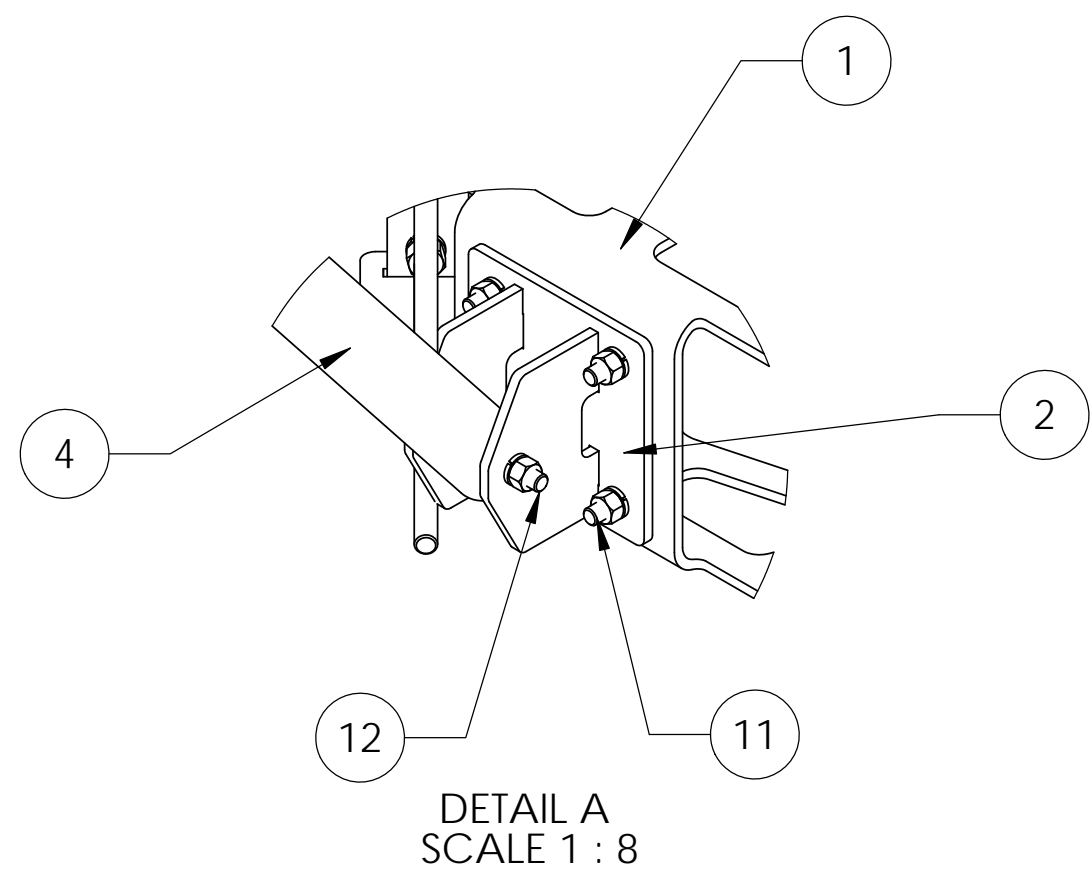


NOTES:

1. PLACE LOOSE HARDWARE INTO POLYBAGS AS NEEDED.
2. CUSTOMER ASSEMBLY SHEETS 2-3.
3. UP TO 5% EXTRA HARDWARE INCLUDED.

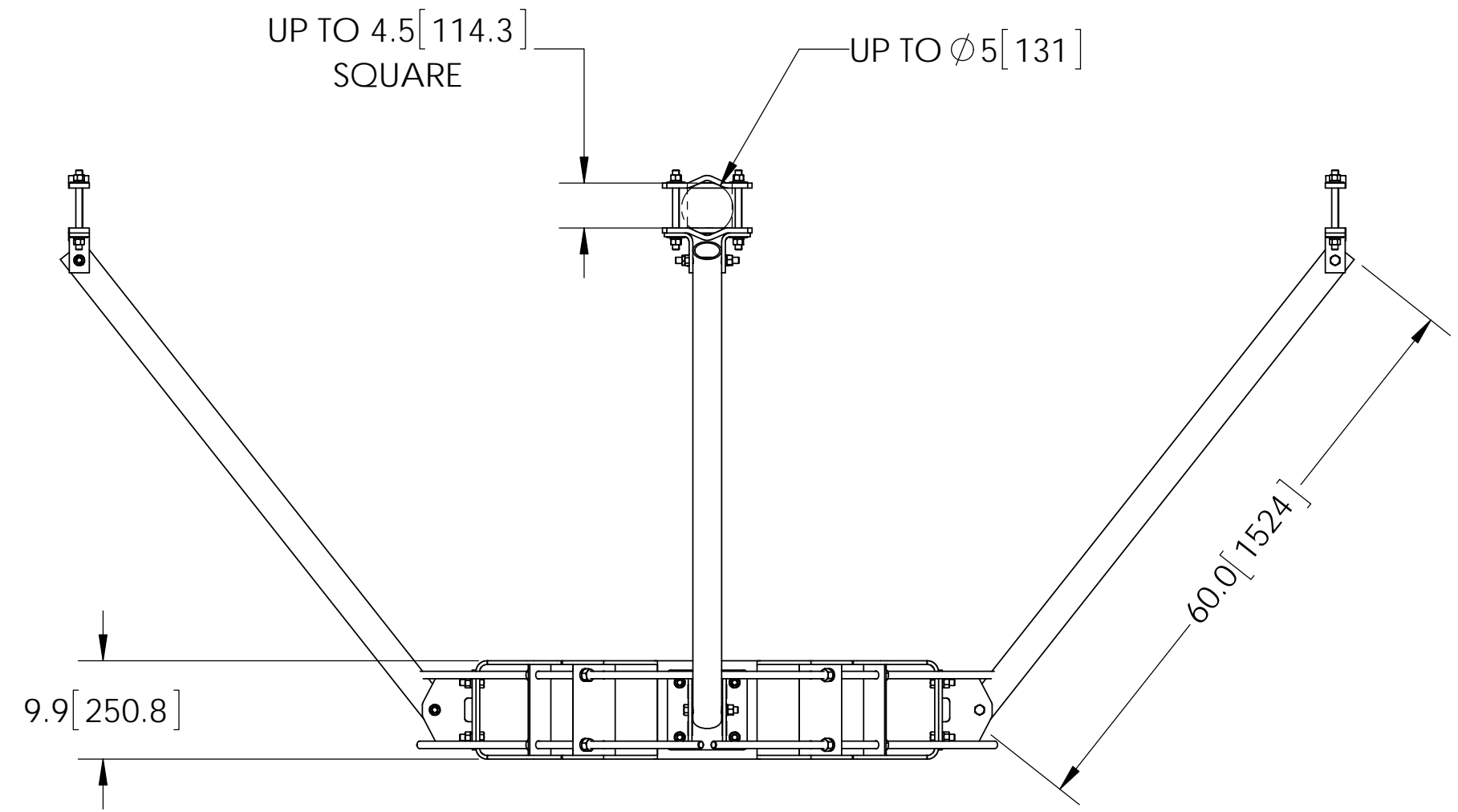
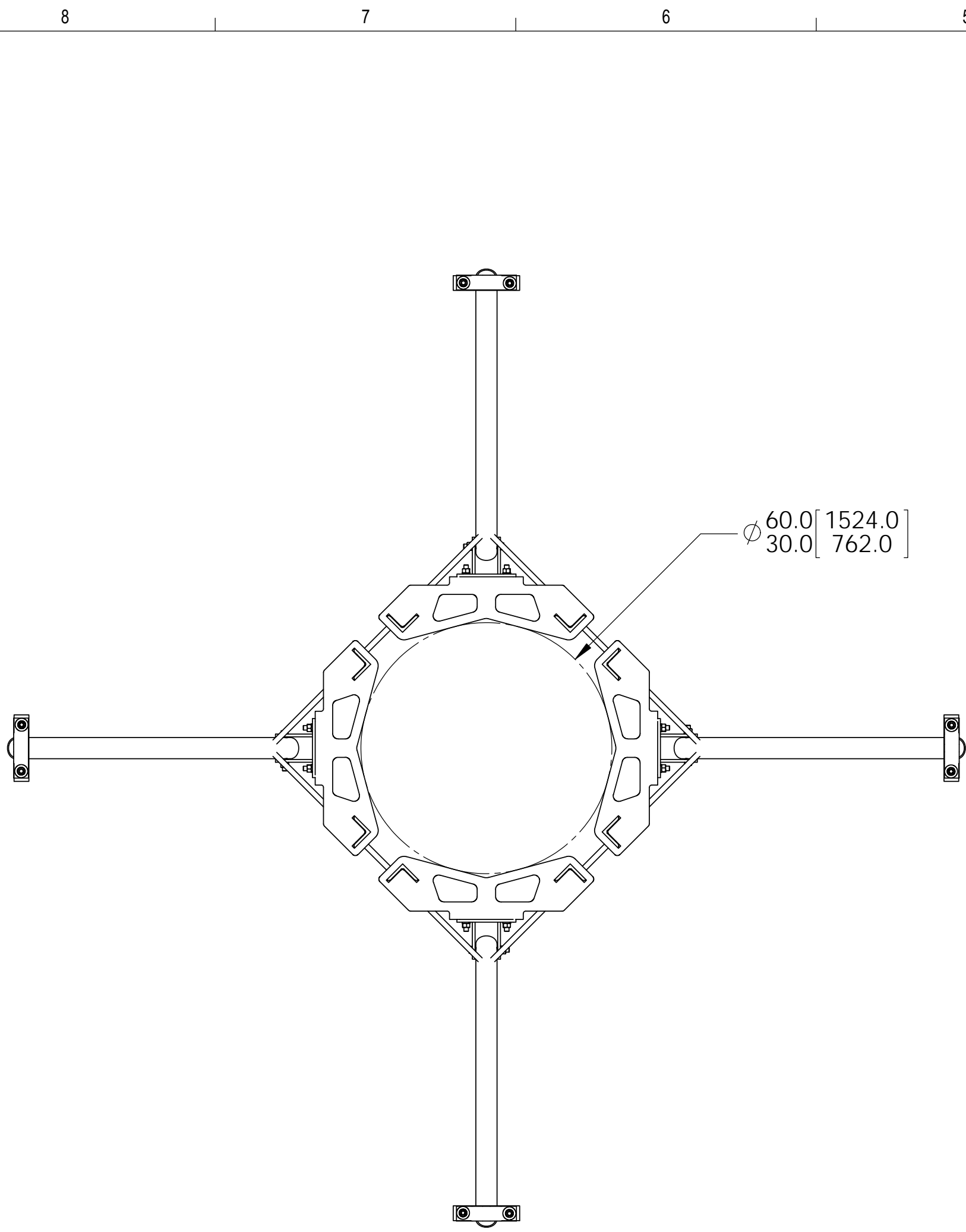
These drawings and specifications are the proprietary property of CommScope Inc. and may be used only for the specific purpose authorized in writing by CommScope Inc. ALL DIMENSIONS ARE IN INCHES U.O.S. TOLERANCES UNLESS OTHERWISE SPECIFIED: .X = ± .12 ANGLES ±2° .XX = ± .06 FRACTIONS ±1/32 .XXX = ± .03 REMOVE BURRS AND BREAK EDGES .005 DO NOT SCALE THIS PRINT	DRAWN BY: MSM	SHEET: 1 of 3	PART NUMBER: RK-60-4L
	CHECKED BY: TP	SCALE: NTS	DESCRIPTION: KICKER SUPPORT, 30"-60" Monopole, 4 Sector, 5' Arm
	DATE: 10/20/14	MATERIAL: A36, A500	DRAWING TYPE: ASSEMBLY DRAWING
	REVISION: B	FINISH: GALV A123 WEIGHT: 454.51	COMMSCOPE® Hickory, NC 28602 U.S.A.

ITEM	PART NO.	DESCRIPTION	QTY.	WEIGHT	NOTE NO.
1	MTC30653060401	3060 4 Sector Ringmount Weldment	4	47.27 LBS	
2	RK01	KICKER STANDOFF WELDMENT	4	12.54 LBS	
3	RK02	CONNECTION BRACKET	8	1.21 LBS	
4	RK60	KICKER ARM SUPPORT TUBE 5'	4	26.75 LBS	
5	DCP10	SMALL CLAMP HALF	8	2.21 LBS	
6	MTC323704	Clamp Bar	8	2.37 LBS	
7	MT-381-8	5/8" X 8" GALV THREADED ROD	8	0.69 LBS	
8	GW-05	5/8" GALV FLAT WASHER	16	0.06 LBS	
9	GWL-05	5/8" GALV LOCK WASHER	16	0.03 LBS	
10	GN-05	5/8" GALV HEX NUT	16	0.08 LBS	
11	GB-0520A	5/8" X 2" GALV BOLT KIT (A325)	16	0.26 LBS	
12	GB-0550A	5/8" X 5" GALV BOLT KIT (A325)	8	0.52 LBS	
13	MT38440	3/4" X 40" GALV THREADED ROD GRADE B7	8	4.98 LBS	
14	GWL-06	3/4" GALV LOCK WASHER	16	0.04 LBS	
15	GN-06	3/4" GALV HEX NUT	16	0.15 LBS	



- NOTES:
1. FITS MONOPOLES 30"-60" OD.
 2. FITS SQUARE ARMS UP TO 4.5".
 3. FITS ROUND ARMS UP TO 5"OD.

These drawings and specifications are the proprietary property of CommScope Inc. and may be used only for the specific purpose authorized in writing by CommScope Inc.		DRAWN BY: MSM	SHEET: 2 of 3	PART NUMBER: RK-60-4L
ALL DIMENSIONS ARE IN INCHES U.O.S. TOLERANCES UNLESS OTHERWISE SPECIFIED: .X = ± .12 ANGLES ±2° .XX = ± .06 FRACTIONS ±1/32 .XXX = ± .03		CHECKED BY: TP	SCALE: NTS	DESCRIPTION: KICKER SUPPORT, 30"-60" Monopole, 4 Sector, 5' Arm
REMOVE BURRS AND BREAK EDGES .005		DATE: 10/20/14	MATERIAL: A36, A500	DRAWING TYPE: ASSEMBLY DRAWING
DO NOT SCALE THIS PRINT		REVISION: B	FINISH: GALV A123	 Hickory, NC 28602 U.S.A.
			WEIGHT: 454.51	



These drawings and specifications are the proprietary property of CommScope Inc. and may be used only for the specific purpose authorized in writing by CommScope Inc. ALL DIMENSIONS ARE IN INCHES U.O.S. TOLERANCES UNLESS OTHERWISE SPECIFIED: .X = \pm .12 ANGLES \pm 2' .XX = \pm .06 FRACTIONS \pm 1/32 .XXX = \pm .03 REMOVE BURRS AND BREAK EDGES .005 DO NOT SCALE THIS PRINT	DRAWN BY: MSM	SHEET: 3 of 3	PART NUMBER: RK-60-4L
	CHECKED BY: TP	SCALE: NTS	DESCRIPTION: KICKER SUPPORT, 30"-60" Monopole, 4 Sector, 5' Arm
	DATE: 10/20/14	MATERIAL: A36, A500	DRAWING TYPE: ASSEMBLY DRAWING
	REVISION: B	FINISH: GALV A123	 Hickory, NC 28602 U.S.A.
		WEIGHT: 454.51	