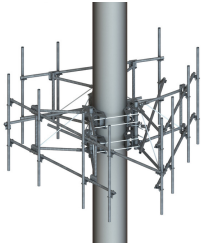


MCG22-14M-12-96



G22 High Capacity 3-Sector Monopole Frame, 14 ft 6 in face, includes twelve 96 in pipes; For patents, see www.cs-pat.com.

OBSOLETE

This product was discontinued on: July 29, 2022

Replaced By:

MCG22HDX-14M-12-96 G22HDX High Capacity 3-Sector Monopole Frame with 2 7/8in OD x 14.5ft face. Includes twelve 2 7/8in OD x 96in antenna pipes

Product Classification

Product Type High capacity monopole sector frame

General Specifications

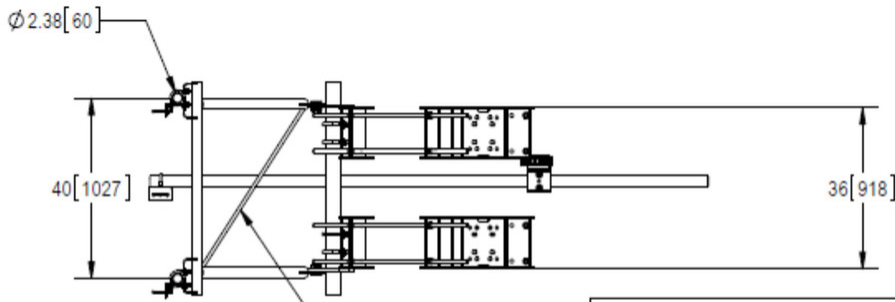
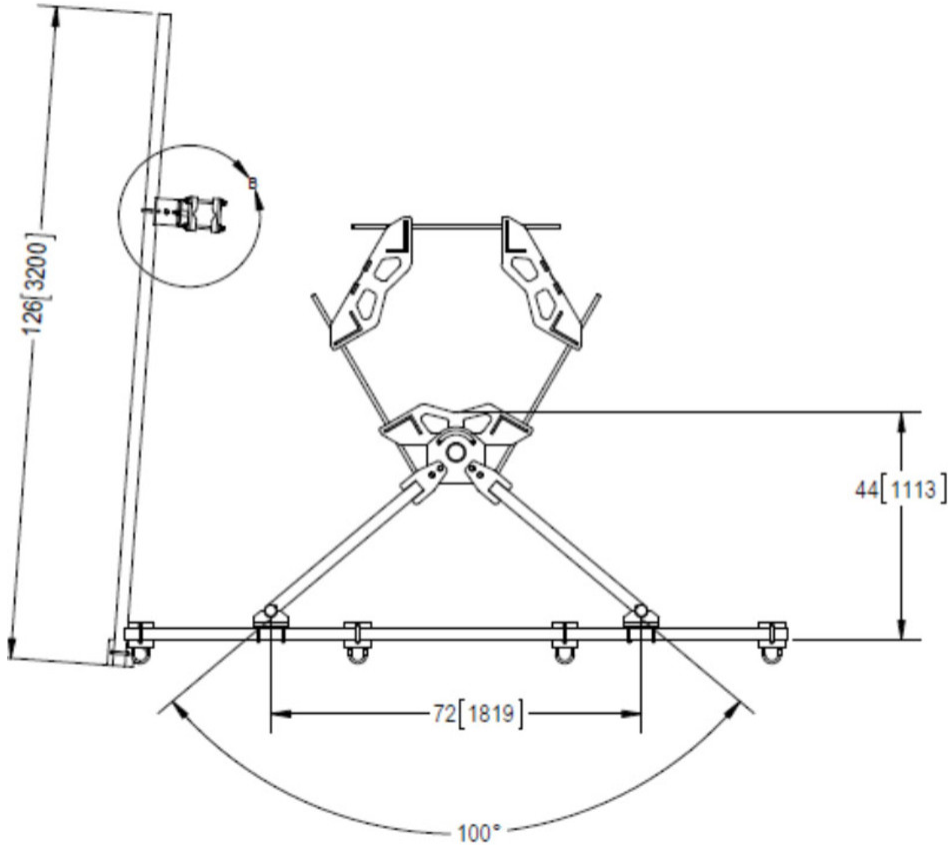
Mounting Monopole, 381–1270 mm (15–50 in) OD
Pipe, quantity 12
Sectors, quantity 3

Dimensions

Height 2,438.4 mm | 96 in
Face Width 4.42 m | 14.5 ft
Width 4,419.6 mm | 174 in
Pipe Length 2,438.4 mm | 96 in
Face Support Pipe Diameter 60.325 mm | 2.375 in
Mounting Diameter, maximum 1270 mm | 50 in
Mounting Diameter, minimum 381 mm | 15 in
Pipe Outer Diameter 60.325 mm | 2.375 in
Stand-off Distance 1,117.6 mm | 44 in

Outline Drawing

MCG22-14M-12-96



**MUST BE INSTALLED WITH
DIAGONALS AS SHOWN**

COMMSCOPE, INC. OF NORTH CAROLINA
TITLE
MCG22 SERIES DRAWING

Material Specifications

Material Type

Hot dip galvanized steel

Mechanical Specifications

Load Capacity

With additional stiff arm at 300 ft AGL: 600 lb per pipe w/out ice / 1275 lb per pipe including ice

MCG22-14M-12-96

Wind Rating	For Specifications, please contact your local ANDREW representative
Wind Rating Test Method	TIA/EIA-222
Wind Rating with Additional Stiff Arm	300 ft AGL: 120 mph (BWS) without ice /60 mph with ice

Packaging and Weights

Included	Pipe mounts Plain end pipes (12) Ring mounts (2) Sector frames (3) Stiff arm
Packaging quantity	1
Weight, net	935.307 kg 2062 lb

Regulatory Compliance/Certifications

Agency	Classification
CHINA-ROHS	Above maximum concentration value
ISO 9001:2015	Designed, manufactured and/or distributed under this quality management system
ROHS	Compliant/Exempted
UK-ROHS	Compliant/Exempted



* Footnotes

Wind Rating	BWS—Base Wind Speed; FBC—Florida Building Code
Wind Rating with Additional Stiff Arm	BWS—Base Wind Speed; FBC—Florida Building Code