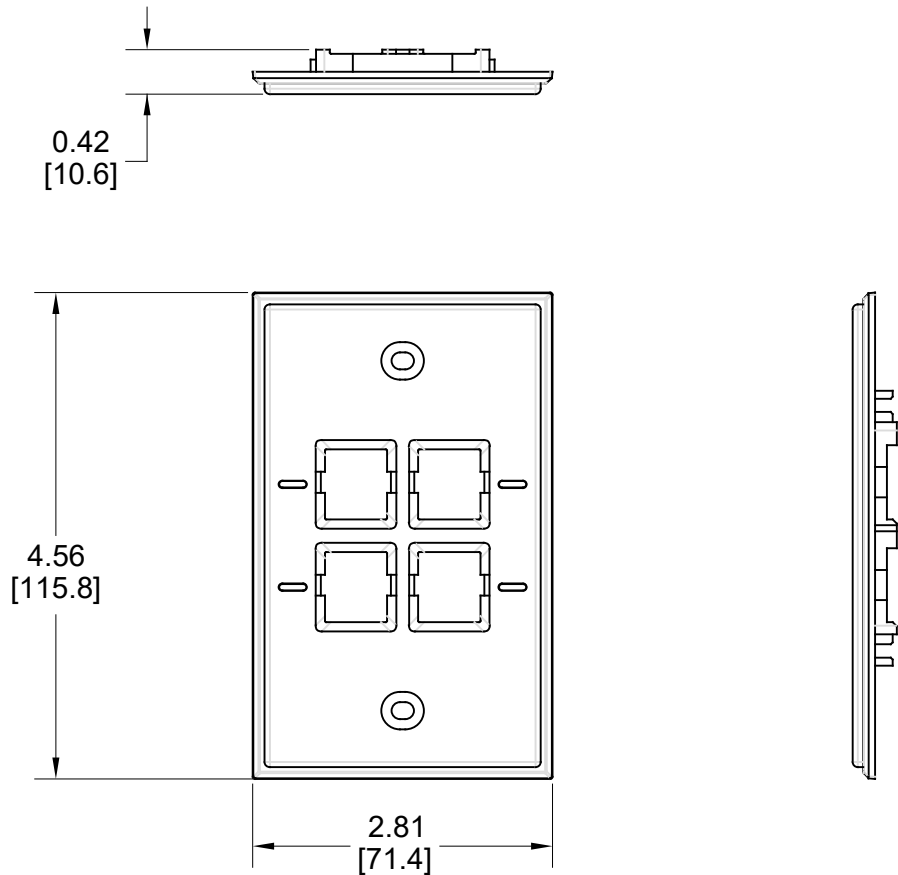


MATERIAL ID	DESCRIPTION
760249174	FP KT 4P NLBL 246

NOTES:

1. SEE COMMSCOPE CATALOG FOR PART NUMBER SUFFIXES TO INDICATE COLOR/PKG.
2. SEE COMMSCOPE CATALOG FOR COMPLETE LIST OF PARTS RELATED TO THE USE OF THIS PRODUCT.
3. DIMENSIONS IN PARENTHESES ARE IN METRIC[MM].
4. PART INCLUDES:  
 (1) 4 PORT NAR NLBL FP, IVR  
 (2) SCREW



FP KT 4P NLBL 246	
<b>COMMSCOPE, INC</b> OF NORTH CAROLINA	

1	02/03/21		INITIAL ISSUE	FW	DRAWN BY JW	
REV	DATE	ECR	DESCRIPTION	APPROVED BY	DATE 02/03/2021	DWG NO 760249174