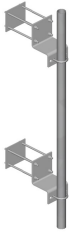


# MT-221L

---



Adjustable Wall Mount for hollow walls, 12 in stand-off

## Product Classification

**Product Type** Wall mount kit

## General Specifications

**Mounting** Hollow walls

## Dimensions

**Height** 203.2 mm | 8 in

**Width** 203.2 mm | 8 in

**Length** 304.8 mm | 12 in

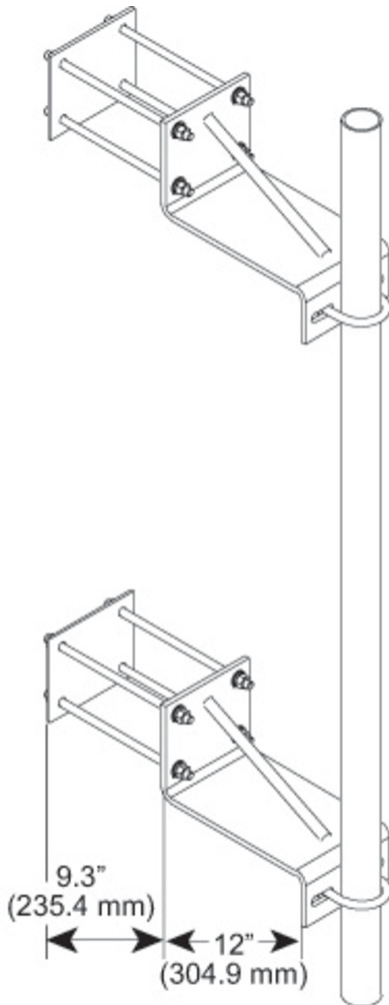
**Pipe Outer Diameter** 114.3 mm | 4.5 in | 60.96 mm | 2.4 in | 73.66 mm | 2.9 in | 88.9 mm | 3.5 in

**Stand-off Distance** 304.8 mm | 12 in

# MT-221L

---

## Outline Drawing



## Material Specifications

**Material Type** Hot dip galvanized steel

## Mechanical Specifications

**Wind Rating** For Specifications, please contact [steelproducts@commscope.com](mailto:steelproducts@commscope.com) or call 800-255-1479

## Packaging and Weights

**Included** Backing plates or anchors | Wall brackets (2)

**Packaging quantity** 2

**Weight, net** 34.2 kg | 75.398 lb

# MT-221L

---

## Regulatory Compliance/Certifications

**Agency**

ISO 9001:2015

**Classification**

Designed, manufactured and/or distributed under this quality management system

### \* Footnotes

**Wind Rating**

BWS—Base Wind Speed; FBC—Florida Building Code