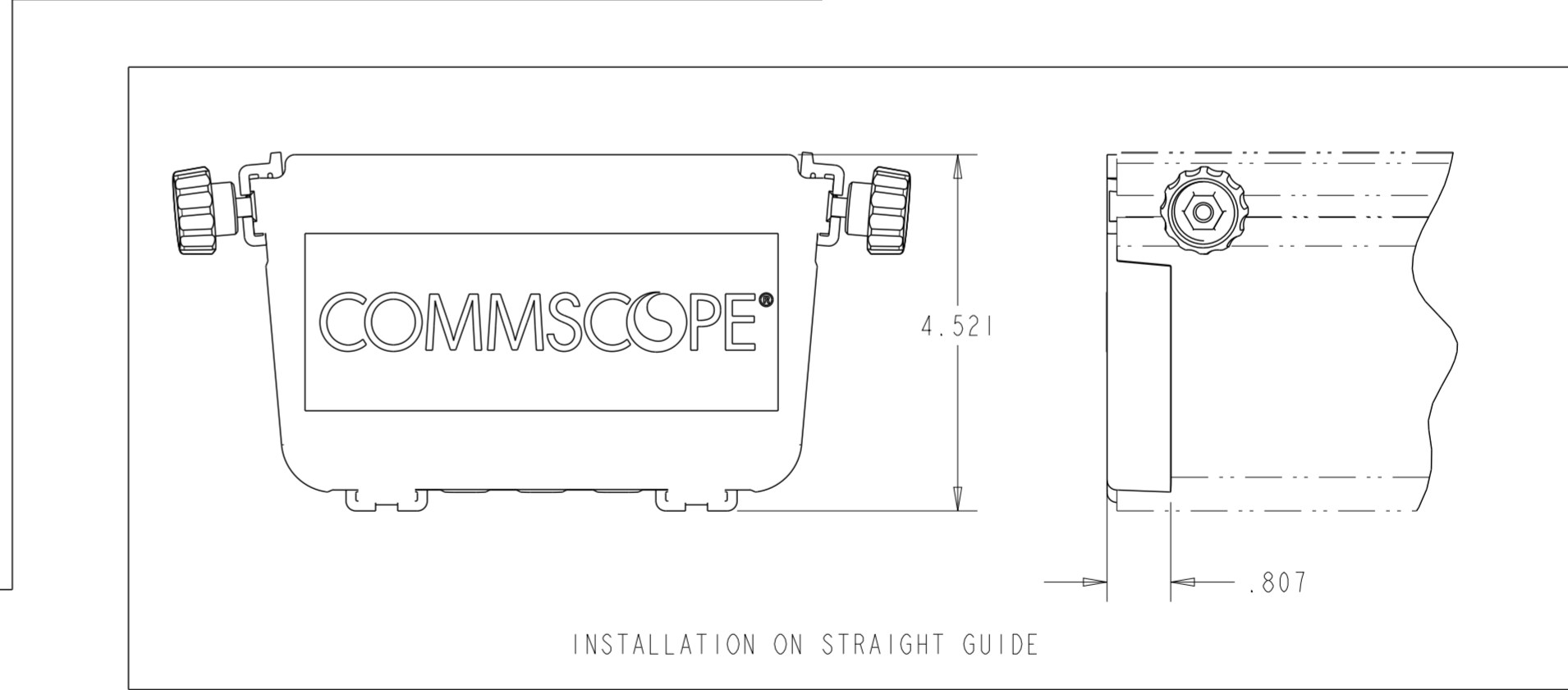
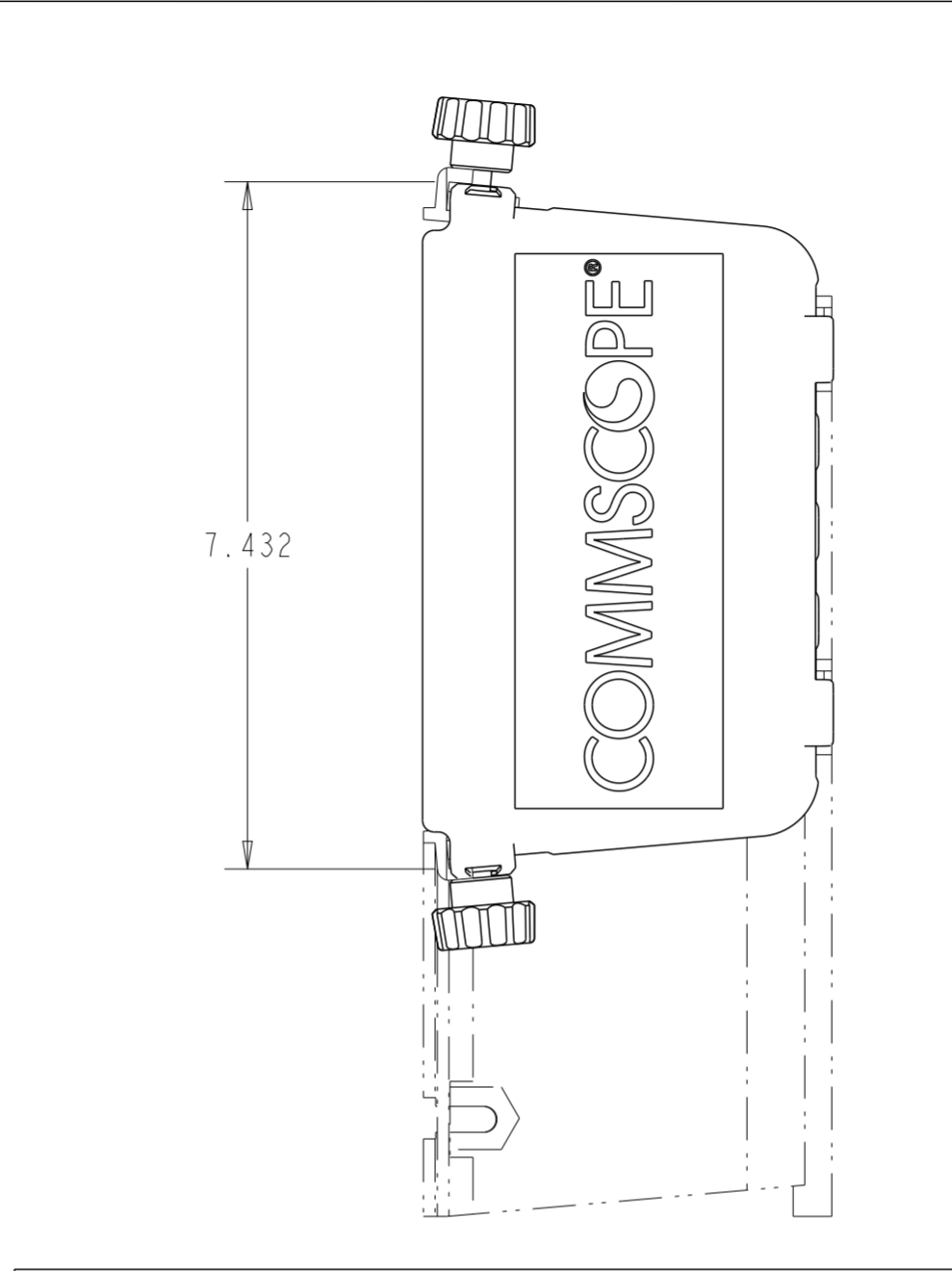
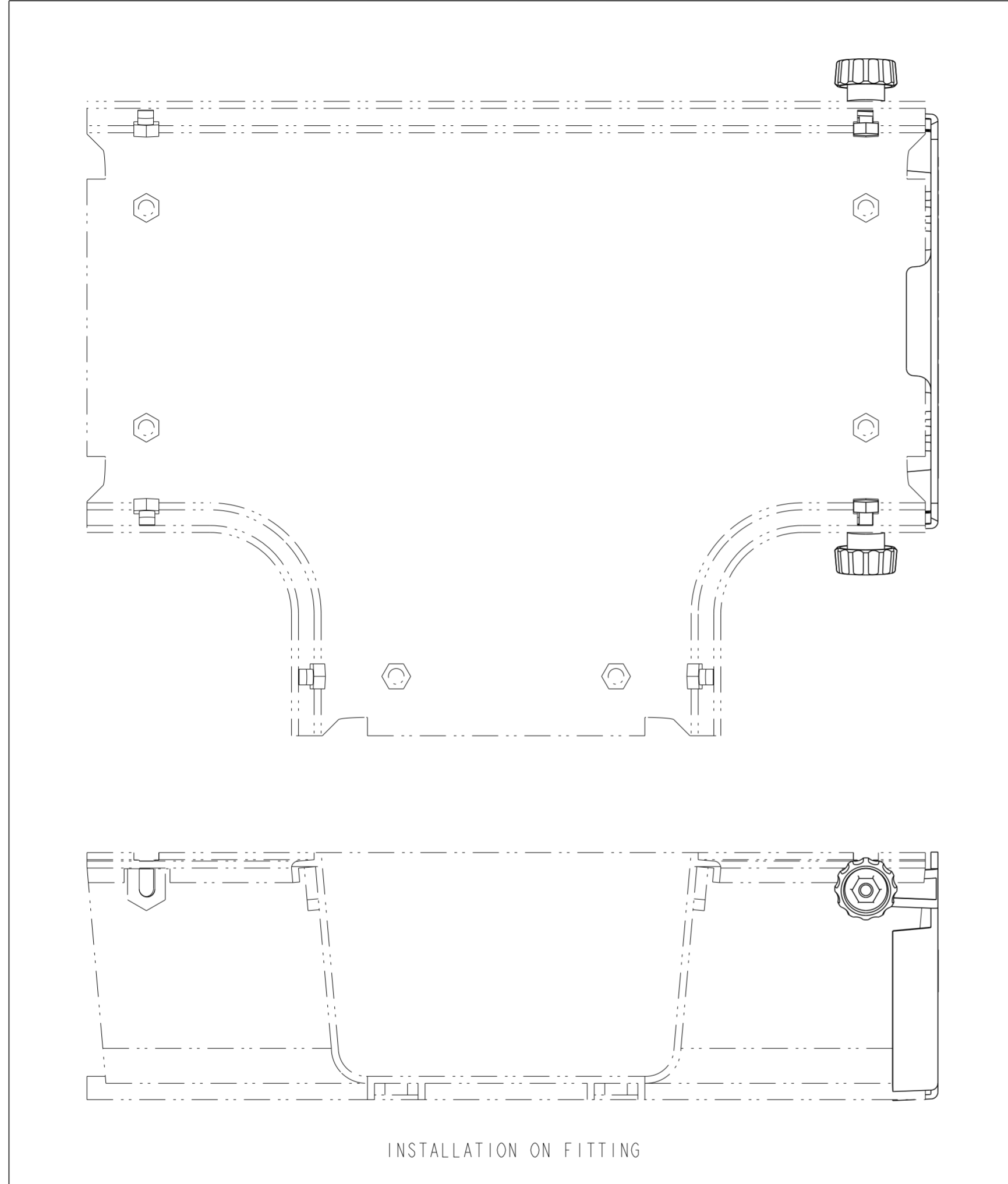


| REVISIONS |             |             |          |
|-----------|-------------|-------------|----------|
| REV       | CMO         | DATE        | APPROVED |
| D         | 8000017247  | 06-OCT-16   | VFV      |
| E         | 40098975CMO | 05-NOV-2019 | ODVL     |



INSTALLATION ON FITTING

INSTALLATION ON STRAIGHT GUIDE

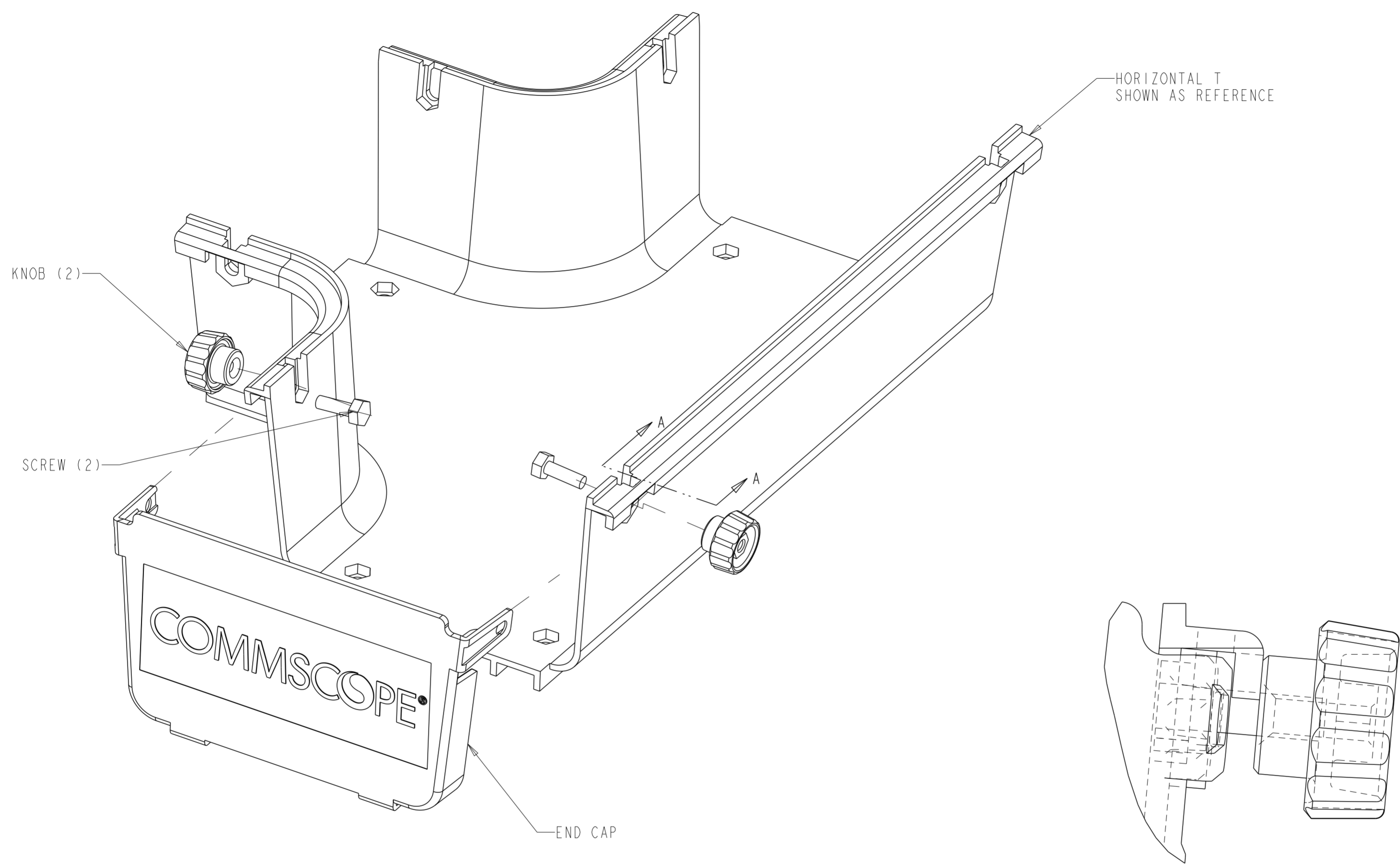
KEY

————— COMPONENTS INCLUDED IN KIT

- - - - - COMPONENTS NOT INCLUDED IN KIT

|              |        |
|--------------|--------|
| FGS-HMEC-B   | BLACK  |
| FGS-HMEC-B-Y | YELLOW |
| CATALOG NO.  | ENDCAP |

| COMMSCOPE, INC.           |   |                |                             |
|---------------------------|---|----------------|-----------------------------|
| DRAFTER<br>ED SANSONE     | TITLE<br>FGS 4X6 END COVER INSTALLATION DRAWING |                |                             |
| ENGINEER<br>RUBEN ARVILLA | SIZE<br>A2                                      | SCALE<br>0.500 | DOCUMENT NO.<br>1011638_ADC |
| CUSTOMER DRAWING          |   |                | REVISION<br>E               |
|                           |   |                | SHEET<br>1 OF 2             |



**NOTES:**

1. INSERT END CAP INTO HORIZONTAL T GUIDE AS SHOWN
2. INSERT SCREWS (2) INTO SLOTS ON HORIZONTAL T AS SHOWN
3. PLACE KNOBS (2) ON SCREWS AND TIGHTEN SCURELY.

SECTION A-A  
SCALE 2.000

|                           |  |   |                 |
|---------------------------|--|---|-----------------|
| <b>COMMSCOPE, INC.</b>    |  |   |                 |
| DRAFTER<br>ED SANSONE     |  | TITLE<br>FGS 4X6 END COVER INSTALLATION DRAWING |                 |
| ENGINEER<br>RUBEN ARVILLA |  | SIZE<br>A2                                      | SCALE<br>0.625  |
|                           |  | DOCUMENT NO.<br><b>1011638_ADC</b>              |                 |
|                           |  | CUSTOMER DRAWING                                |                 |
|                           |  | REVISION<br>E                                   | SHEET<br>2 OF 2 |