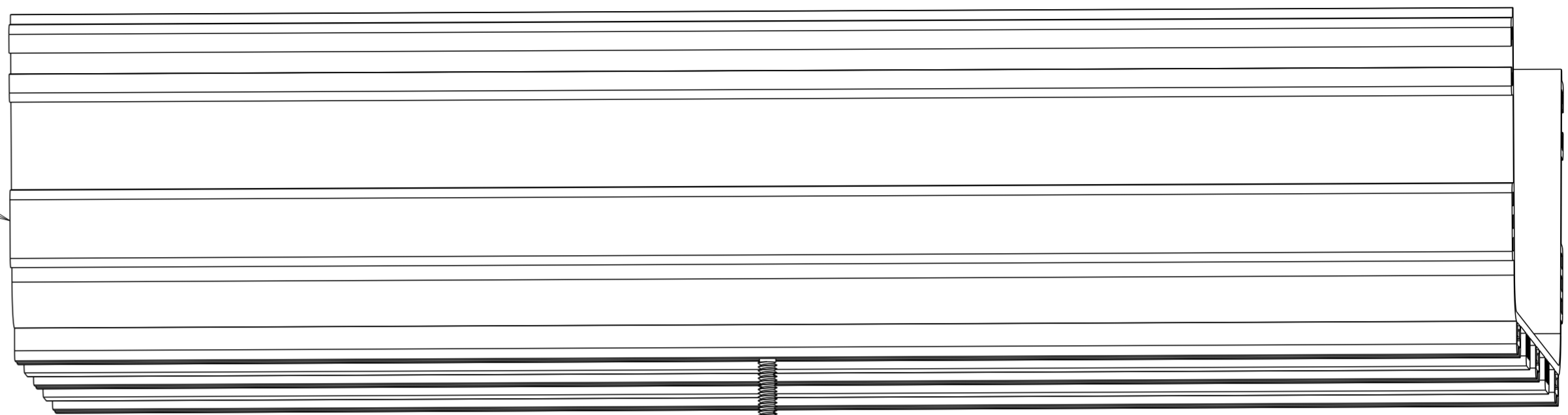


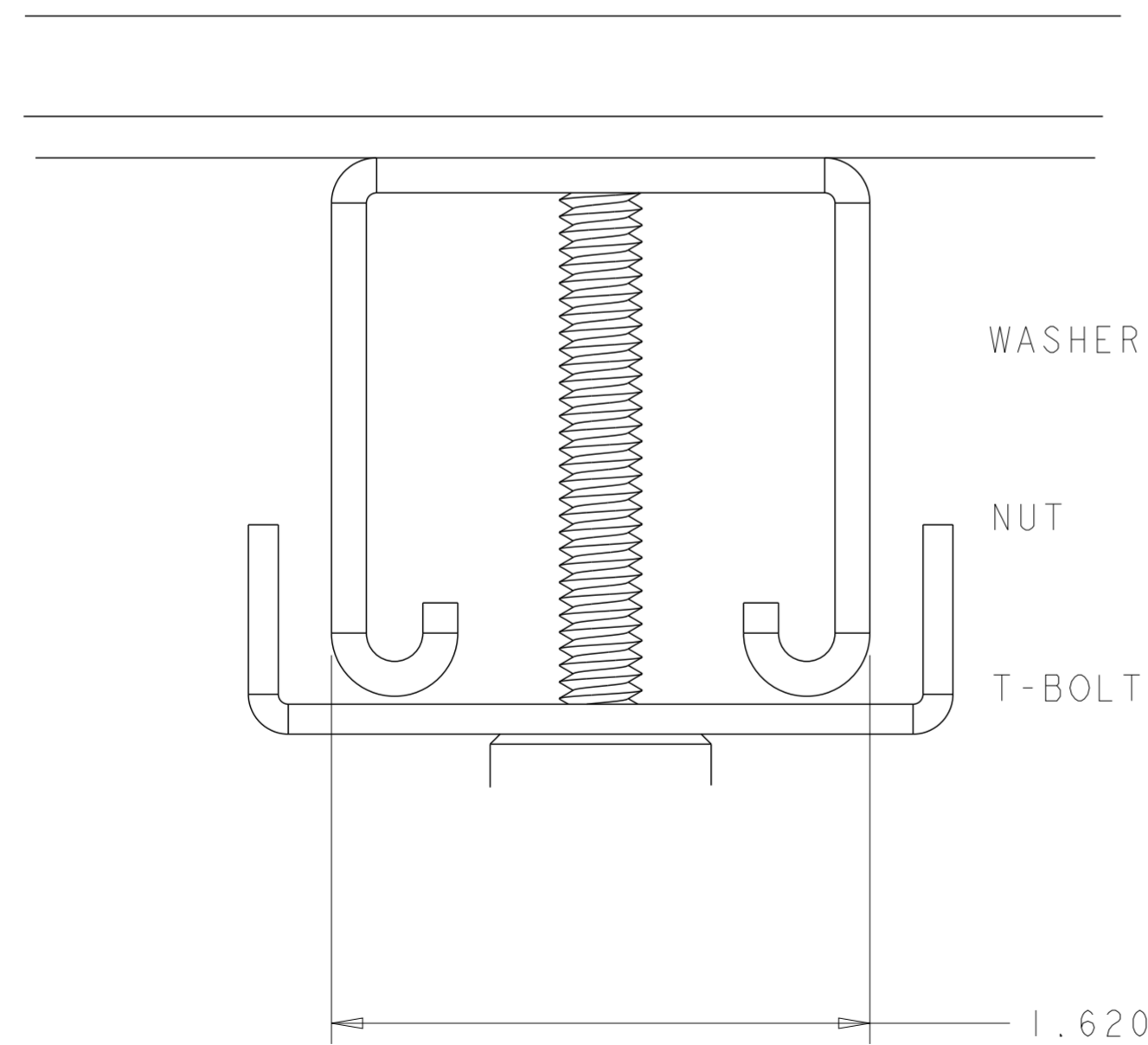
REVISIONS			
REV	CMO	DATE	APPROVED
A	40122972CMO	06-APR-2021	RAT
B	40174121CMO	27-SEP-2023	FS

STRAIGHT SECTION
JUST FOR REF



UNISTRUT CHANNEL
JUST FOR REF

T-BOLT
WASHER
NUT



WASHER
NUT
T-BOLT

SCALE 2.000

1.620

COMPONENT LIST		
DESCRIPTION	QTY	
T-BOLT, 1/4-20X1.00	10	
WASHER, 1/4X1 316-SST	10	
NUT 1/4-20, .435, .313, SST	10	

COMMSCOPE, INC.			
DRAFTER FERNANDO SALDIVAR		TITLE BOLT FOR INSIDE UNISTRUT 10 PC KIT, FGS	
ENGINEER RUBEN ARVILLA		SIZE A2	SCALE 0.063
		DOCUMENT NO. 660105425	
CUSTOMER DRAWING			REVISION B
			SHEET 1 OF 1