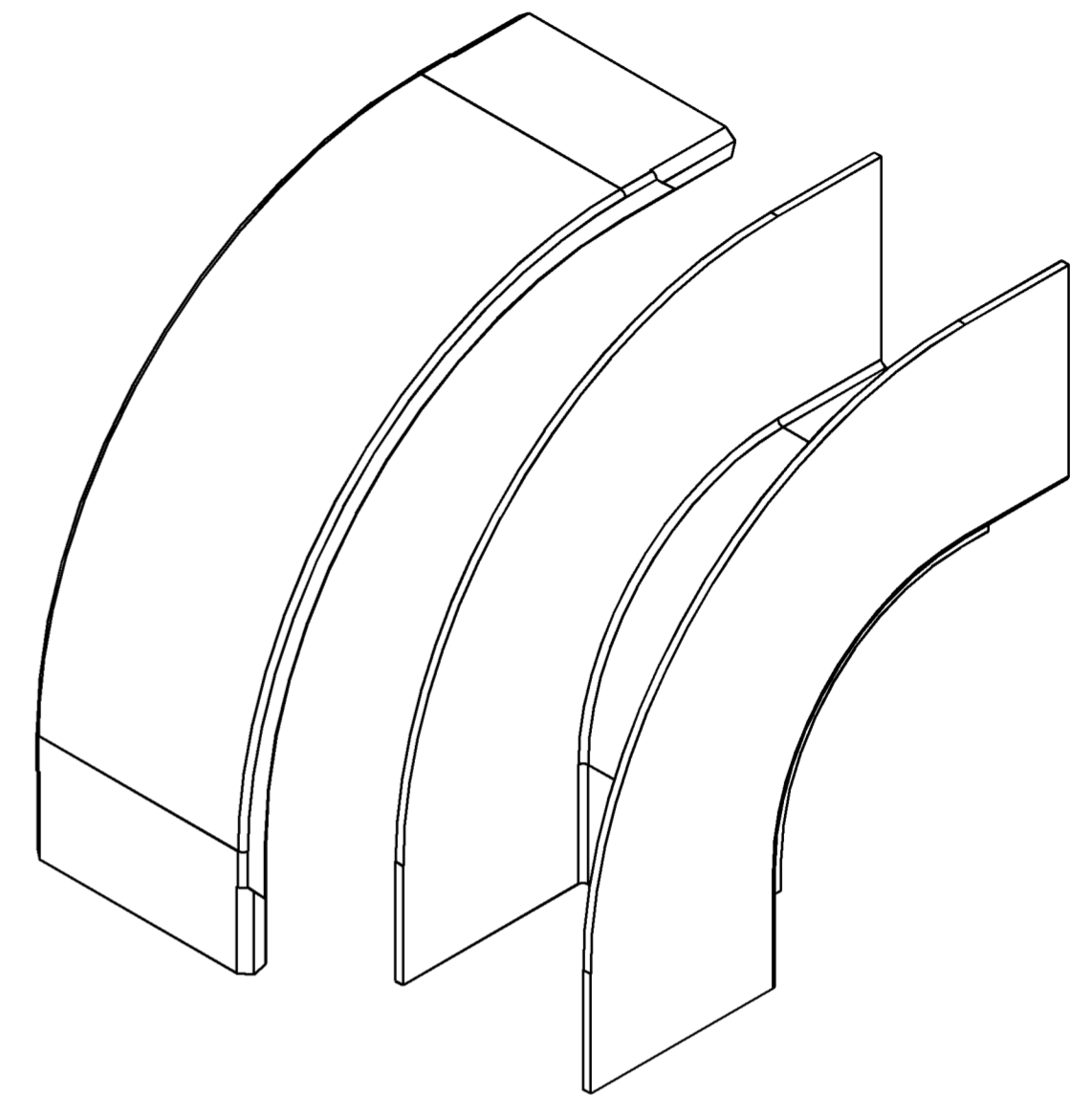
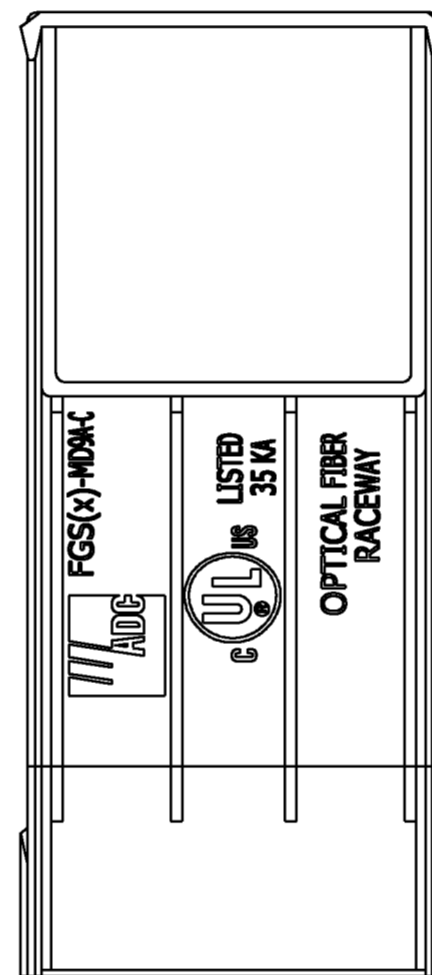
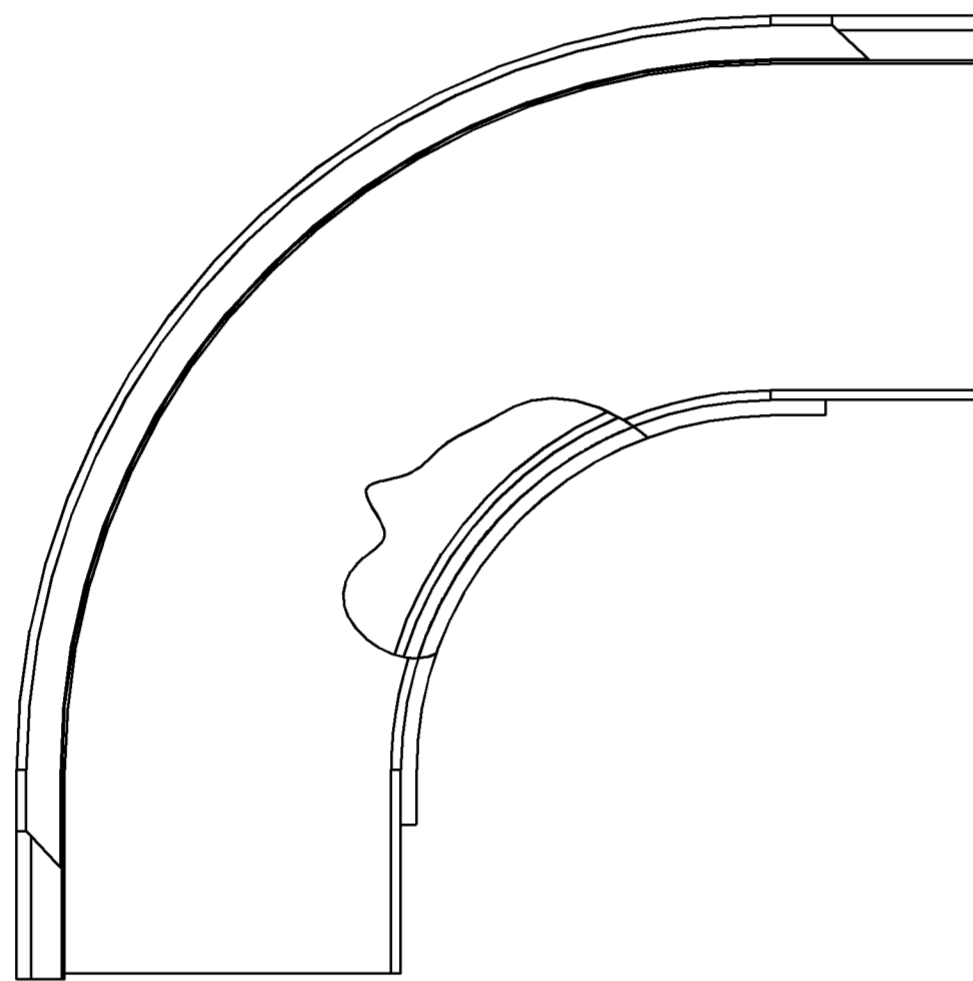


REV	MCO	DWN	DATE
A	20021373	TH	2/2/99
B	20239114	AED	02-MAY-08



SCALE 0.750

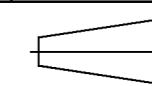
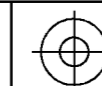
CATALOG NO.	COLOR
FGS-MD9A-C	YELLOW
FGSO-MD9A-C	ORANGE
FGSB-MD9A-C	BLACK

NOTES:

1. MATERIAL IS SELF EXTINGUISHING WITH A UL 94 RATING OF V-0.



INFORMATION ON THIS DOCUMENT IS PROPRIETARY TO ADC AND SHALL NOT BE USED, COPIED, REPRODUCED OR DISCLOSED IN WHOLE OR IN PART WITHOUT WRITTEN CONSENT OF ADC.		TITLE ELBOW, 90 DOWN, 2X2 INSTALLATION DWG	
ALL DIMS AND TOLERANCES ARE INCHES UNLESS OTHERWISE SPECIFIED	.XX:±N/A .XXX:±N/A ANGULAR:±N/A	C SIZE	DRAWING NUMBER 1048746
DO NOT SCALE DRAWING		ENGR: T. HAATAJA DWN: T. HAATAJA	B REV
		SHT. 1 OF 1	



**DIMENSIONS IN INCHES
THIRD ANGLE PROJECTION**