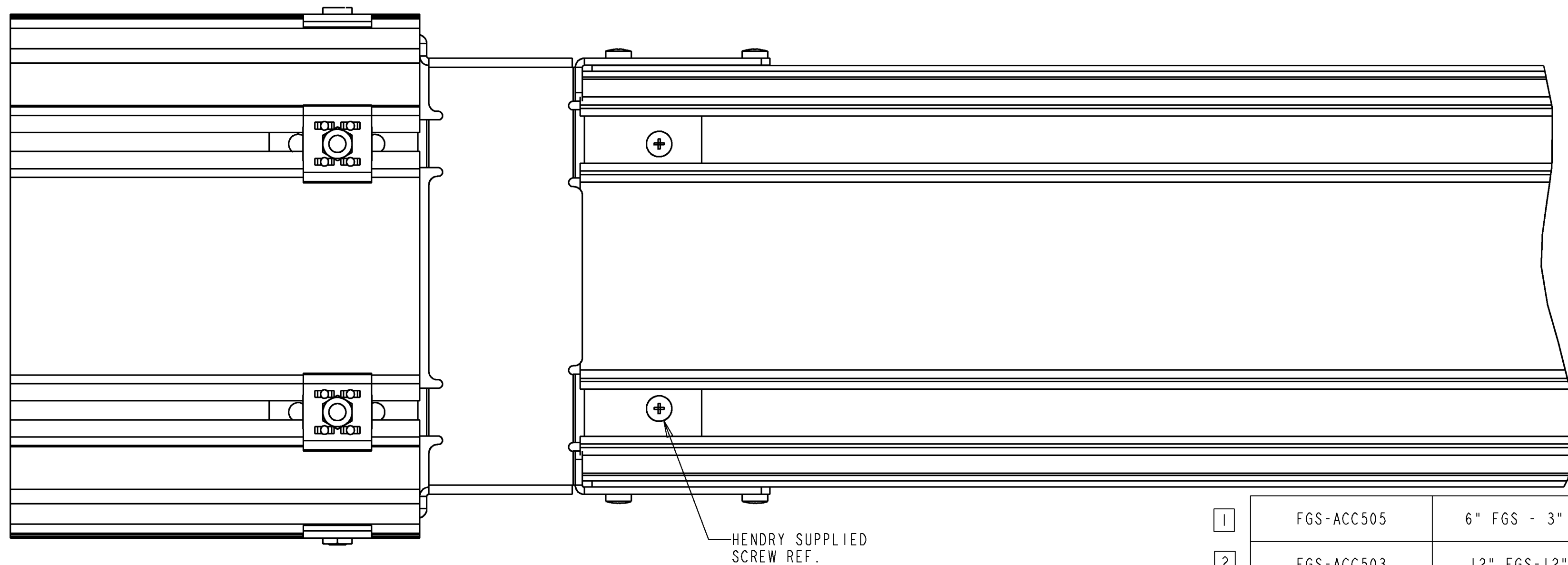
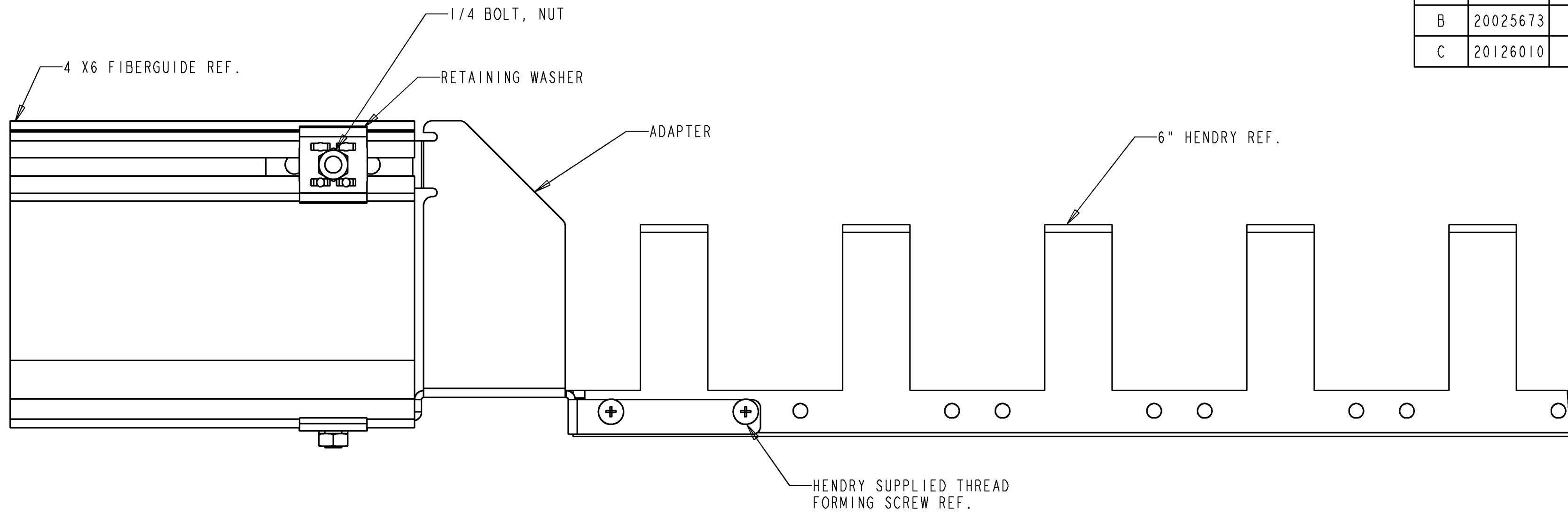


REV	ECO	DWN	DATE
B	20025673	JTP	01-NOV-99
C	20126010	JMT	23-SEP-02



NOTES:

1 PARTS INCLUDED WITH KIT ARE AS FOLLOWS:

- (1) ADAPTER
- (4) 1/4" BOLT
- (4) 1/4" NUT
- (4) RETAINING WASHER

2 PARTS INCLUDED WITH KIT ARE AS FOLLOWS:

- (1) ADAPTER
- (5) 1/4" BOLT
- (5) 1/4" NUT
- (5) RETAINING WASHER

1	FGS-ACC505	6" FGS - 3" HENDRY	A
2	FGS-ACC503	12" FGS-12"HENDRY	C
1	FGS-ACC502	6" FGS - 6" HENDRY	C
1	FGS-ACC501	4" FGS - 3" HENDRY	C
CATALOG NUMBER		ADAPTER	REV



INFORMATION ON THIS DOCUMENT IS PROPRIETARY TO ADC AND SHALL NOT BE USED, COPIED, REPRODUCED OR DISCLOSED IN WHOLE OR IN PART WITHOUT WRITTEN CONSENT OF ADC.

ALL DIMS AND TOLERANCES ARE INCHES UNLESS OTHERWISE SPECIFIED

DO NOT SCALE DRAWING

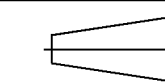
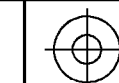
TITLE FGS TO HENDRY ADPTR INSTALLATION DRAWING

DRAWING NUMBER 1079246

ENGR: KEVIN HRUBY

DWN: CRAIG ZELASKO

SHT. 1 OF 1



DIMENSIONS IN INCHES
THIRD ANGLE PROJECTION