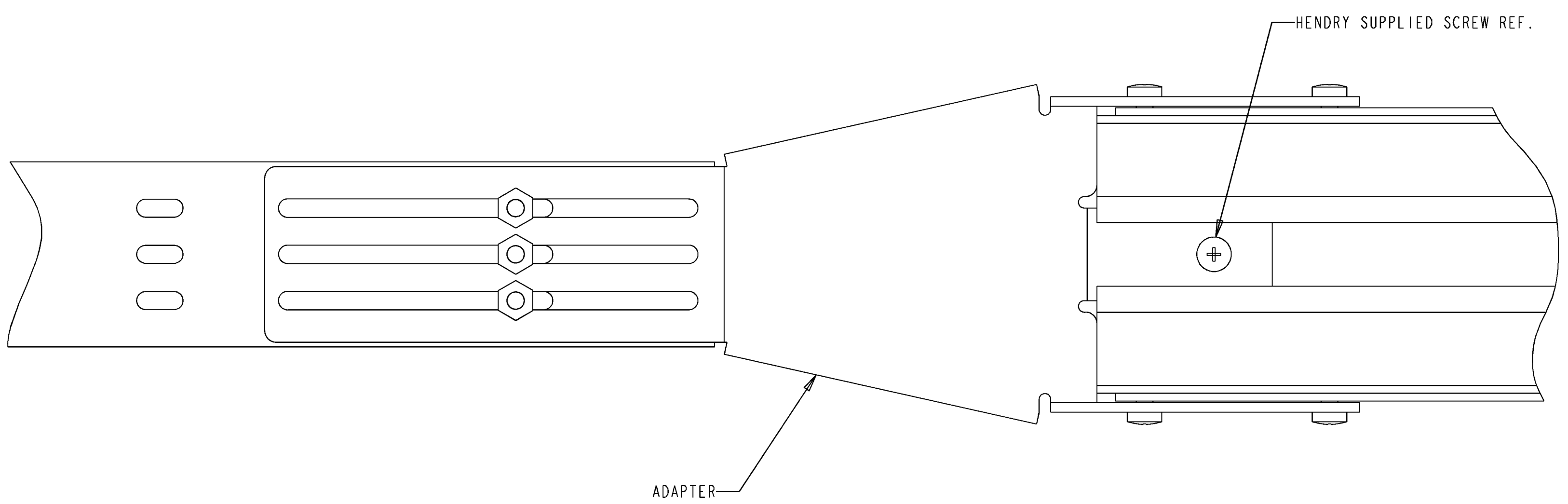
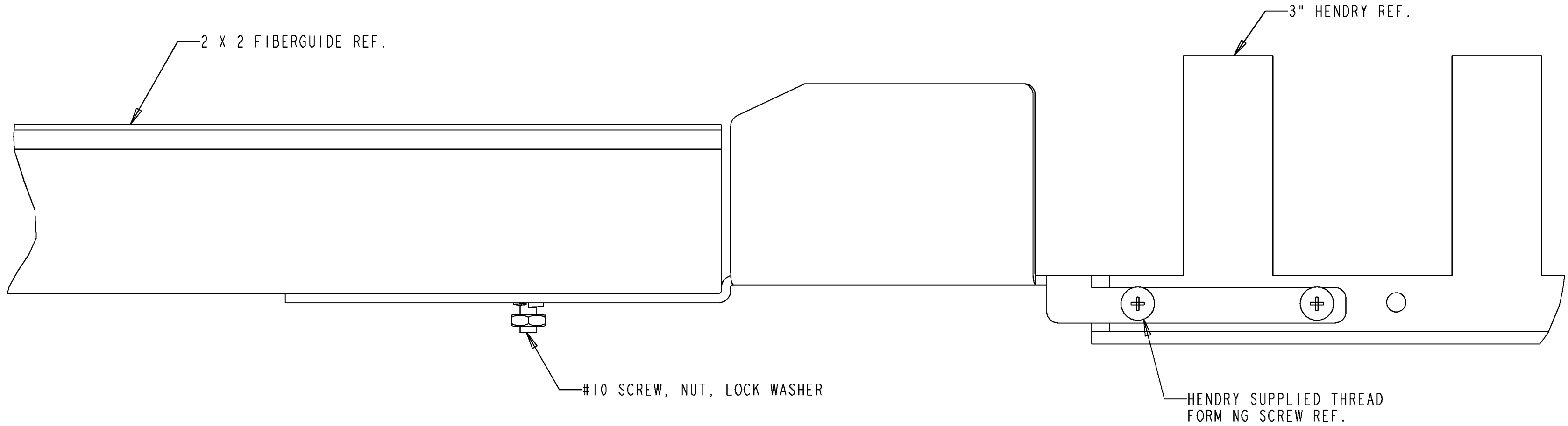


REV	ECO	DWN	DATE
A	20036612	CDZ	22/OCT/99
-	-----	---	-----



- NOTES:
- PARTS INCLUDED WITH KIT AS FOLLOWS:
 - (3) SCREW #10-32
 - (3) NUT #10-32
 - (3) #10 LOCKWASHER

FGS-ACC500	2" FGS - 3" HENDRY	B
CATALOG NUMBER	ADAPTER	REV



INFORMATION ON THIS DOCUMENT IS PROPRIETARY TO ADC AND SHALL NOT BE USED, COPIED, REPRODUCED OR DISCLOSED IN WHOLE OR IN PART WITHOUT WRITTEN CONSENT OF ADC.		TITLE FGS TO HENDRY ADAPTER INSTALLATION DRAWING	
TOLERANCE UNLESS OTHERWISE SPECIFIED .XX: ±.02 .XXX: ±.010 ANGULAR: ±2°	C SIZE	DRAWING NUMBER 1079305	A REV
DO NOT SCALE DRAWING	ENGR: KEVIN HRUBY DWN: CRAIG ZELASKO	SHT. 1 OF 1	