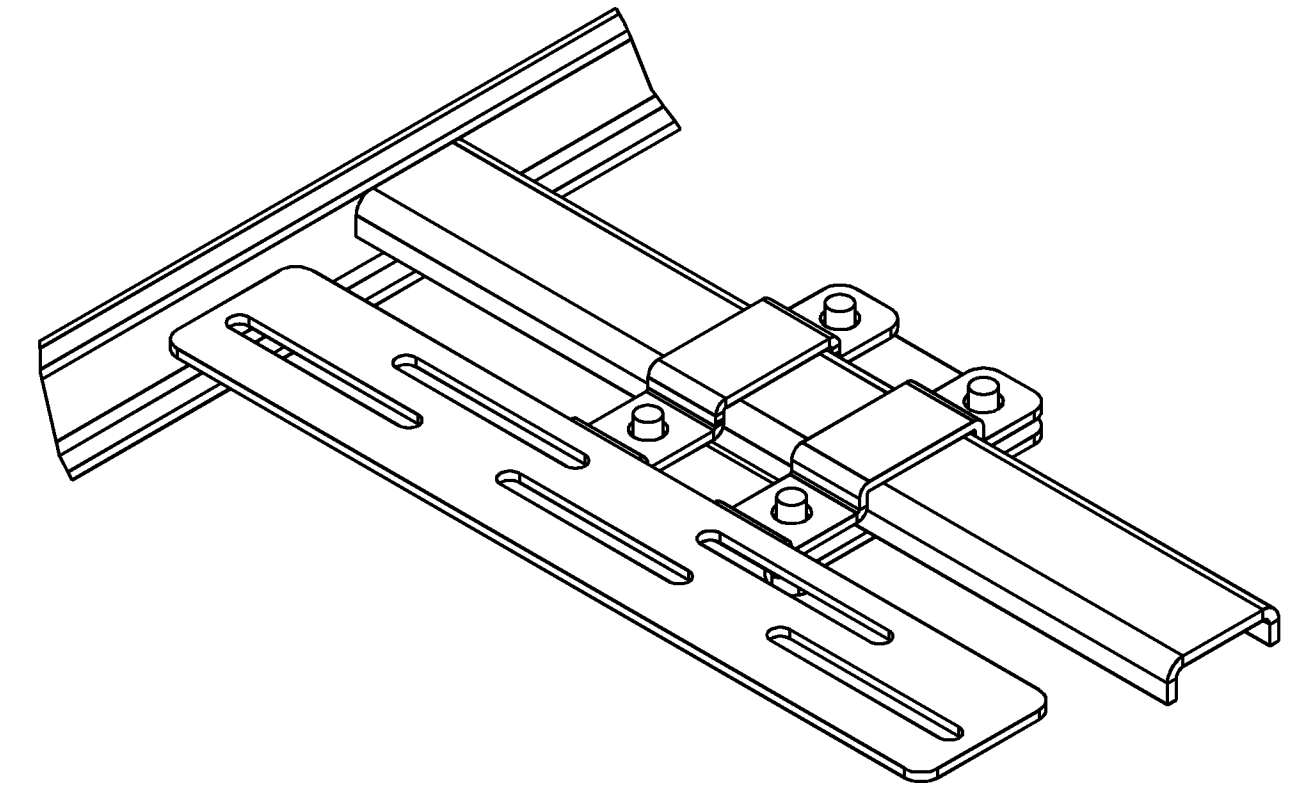
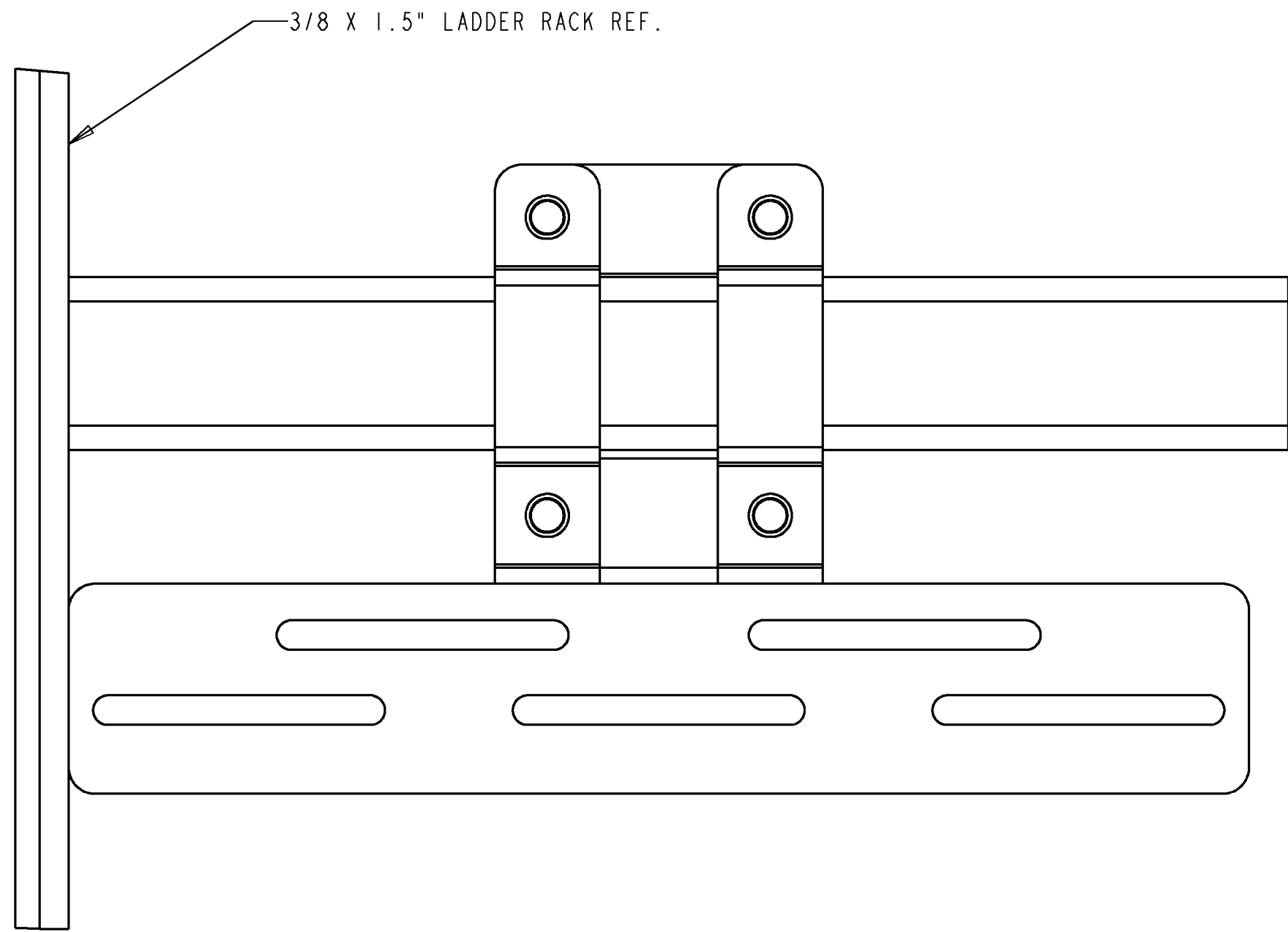
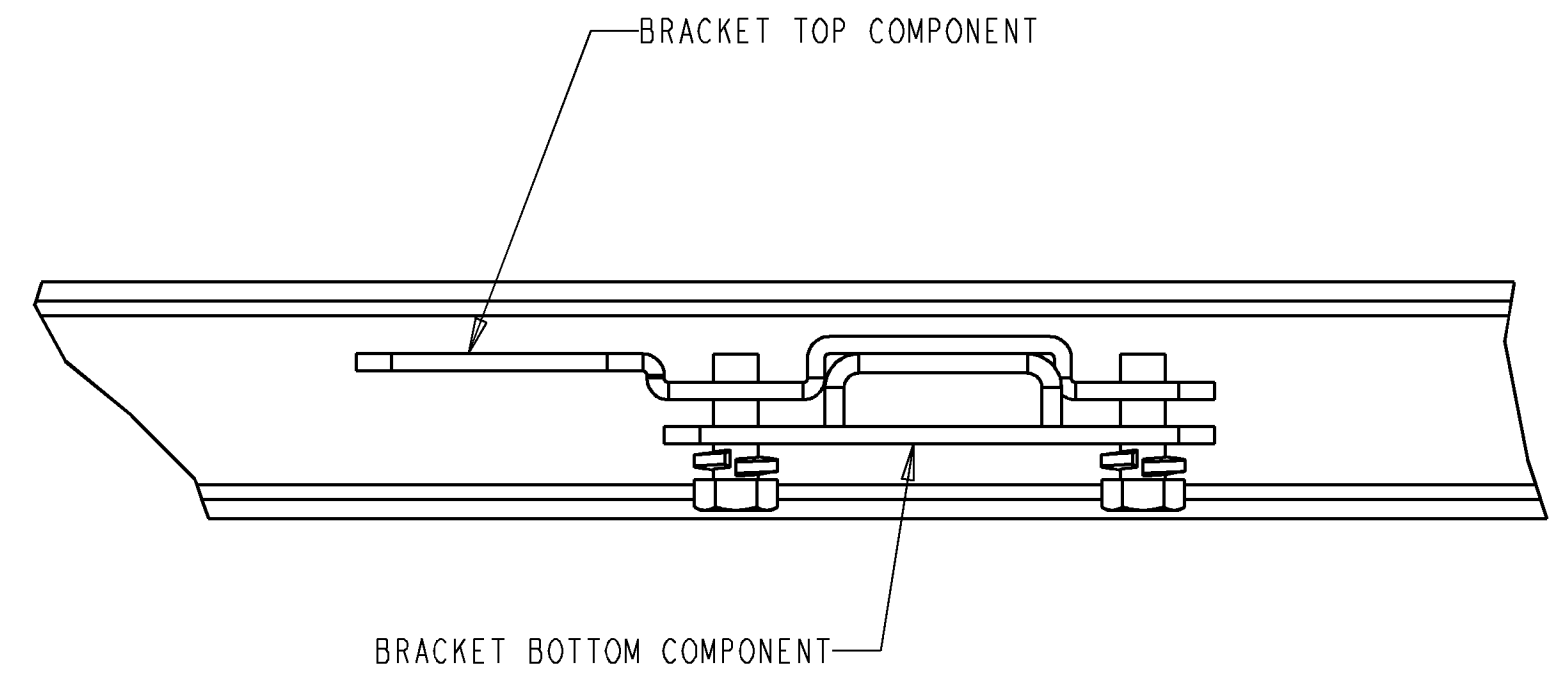
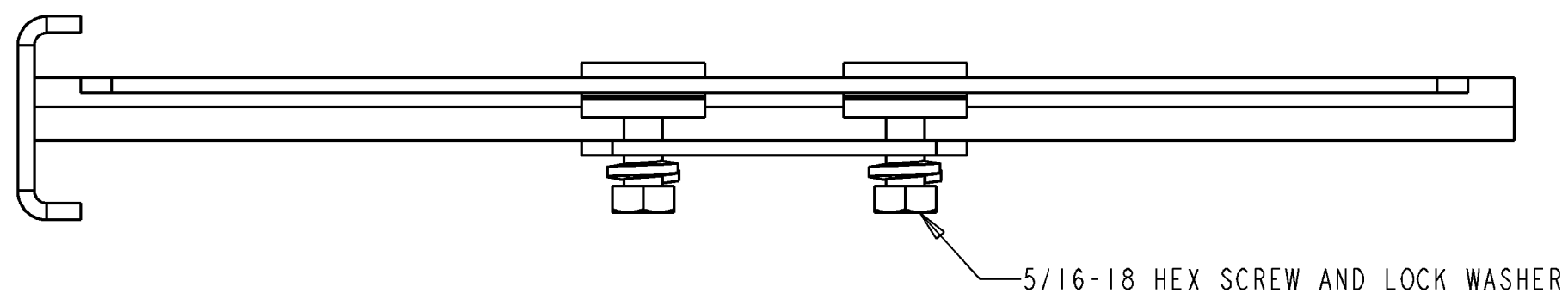


| REV | ECO | DWN | DATE |
|-----|----------|-----|-----------|
| A | 20087401 | CNC | 10-APR-01 |
| - | ----- | --- | ----- |



SCALE 0.500



NOTES:

1. PARTS INCLUDED WITH KIT AS FOLLOWS:

- (1) BRACKET, TOP
- (1) BRACKET, BOTTOM
- (4) 5/16-18 HEX SCREW
- (4) 5/16 LOCK WASHER
- (3) QUICK KNOB ASSEMBLY

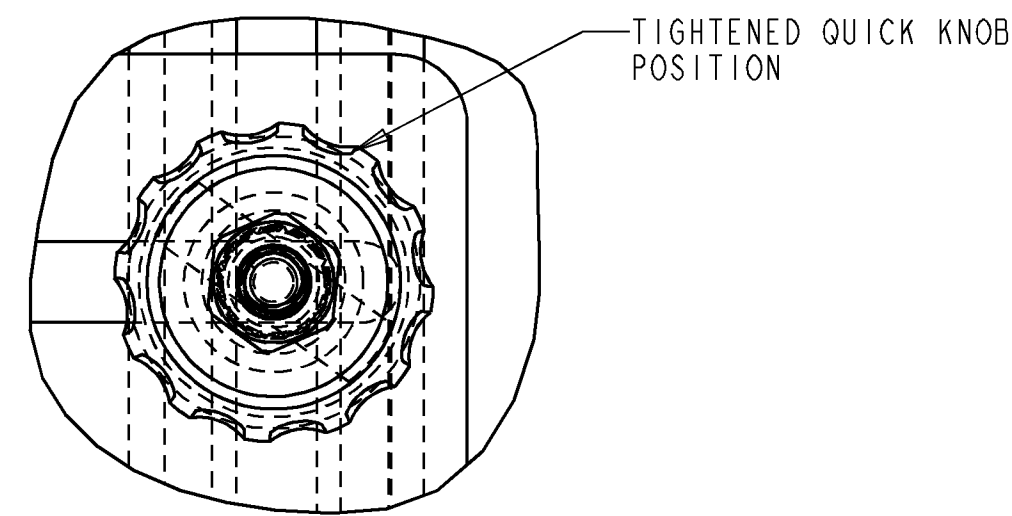
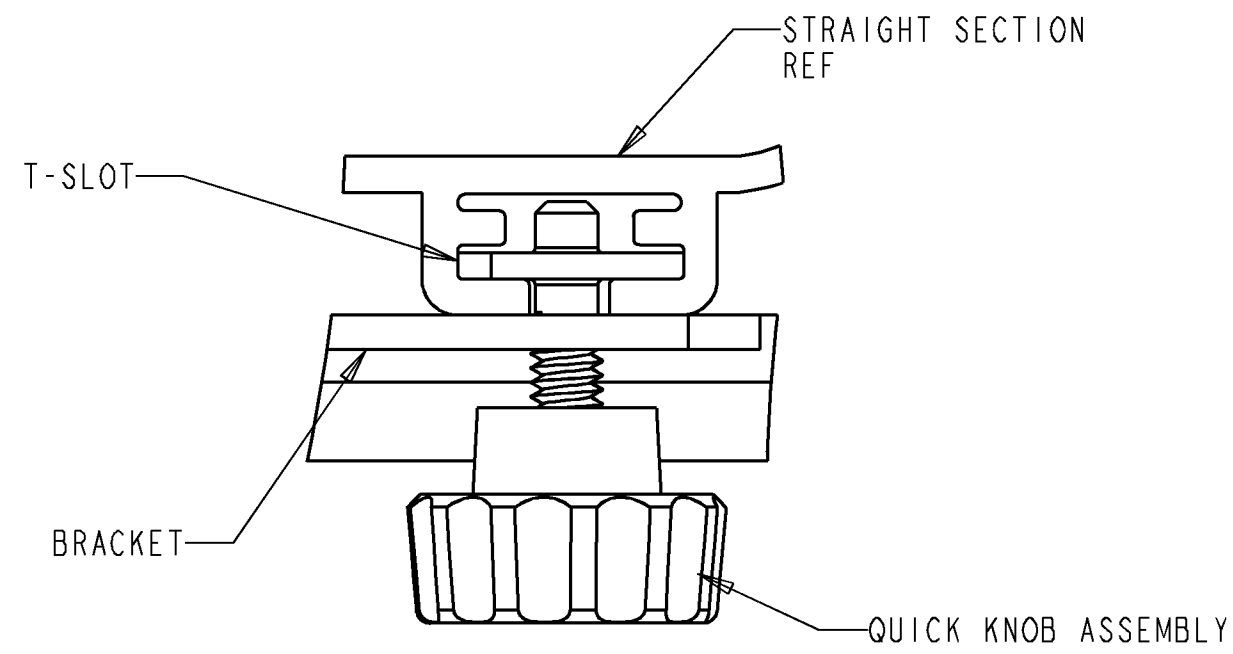
2. SEE SHEET 2 FOR MOUNTING FIBERGUIDE.

CATALOG #: FGS-HNLR-F

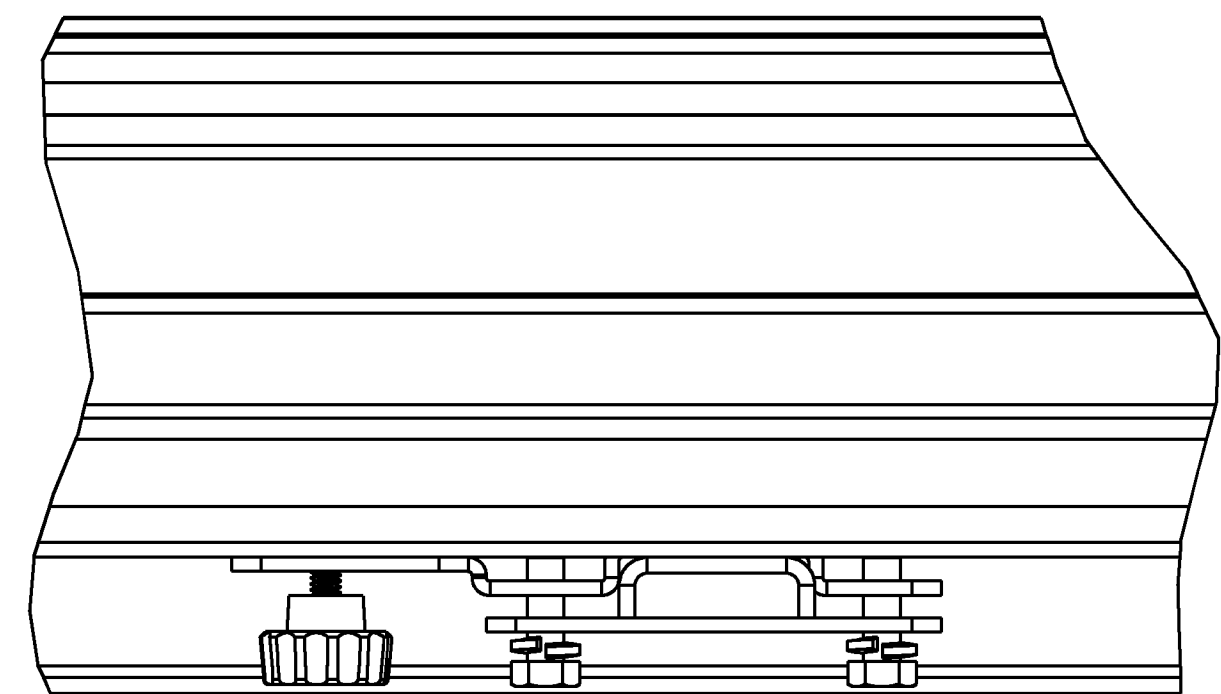
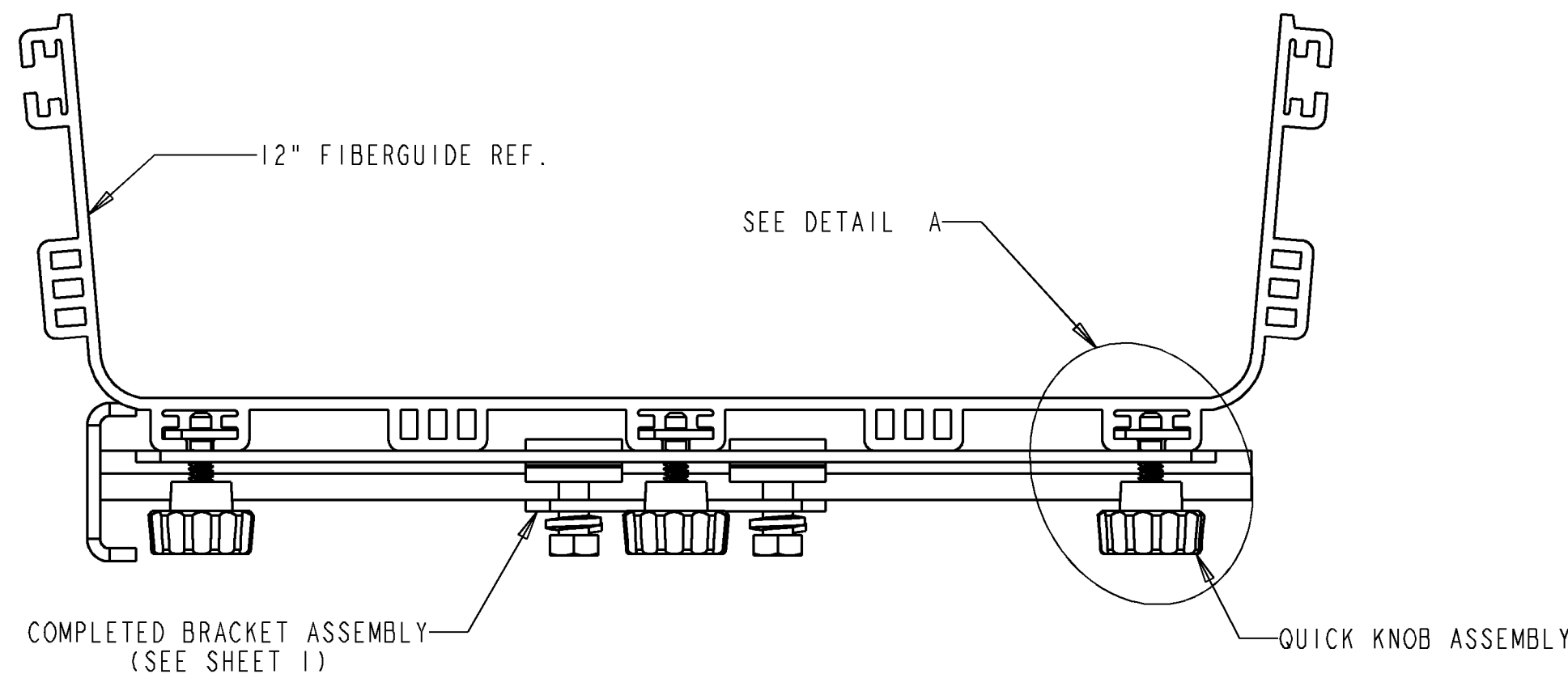
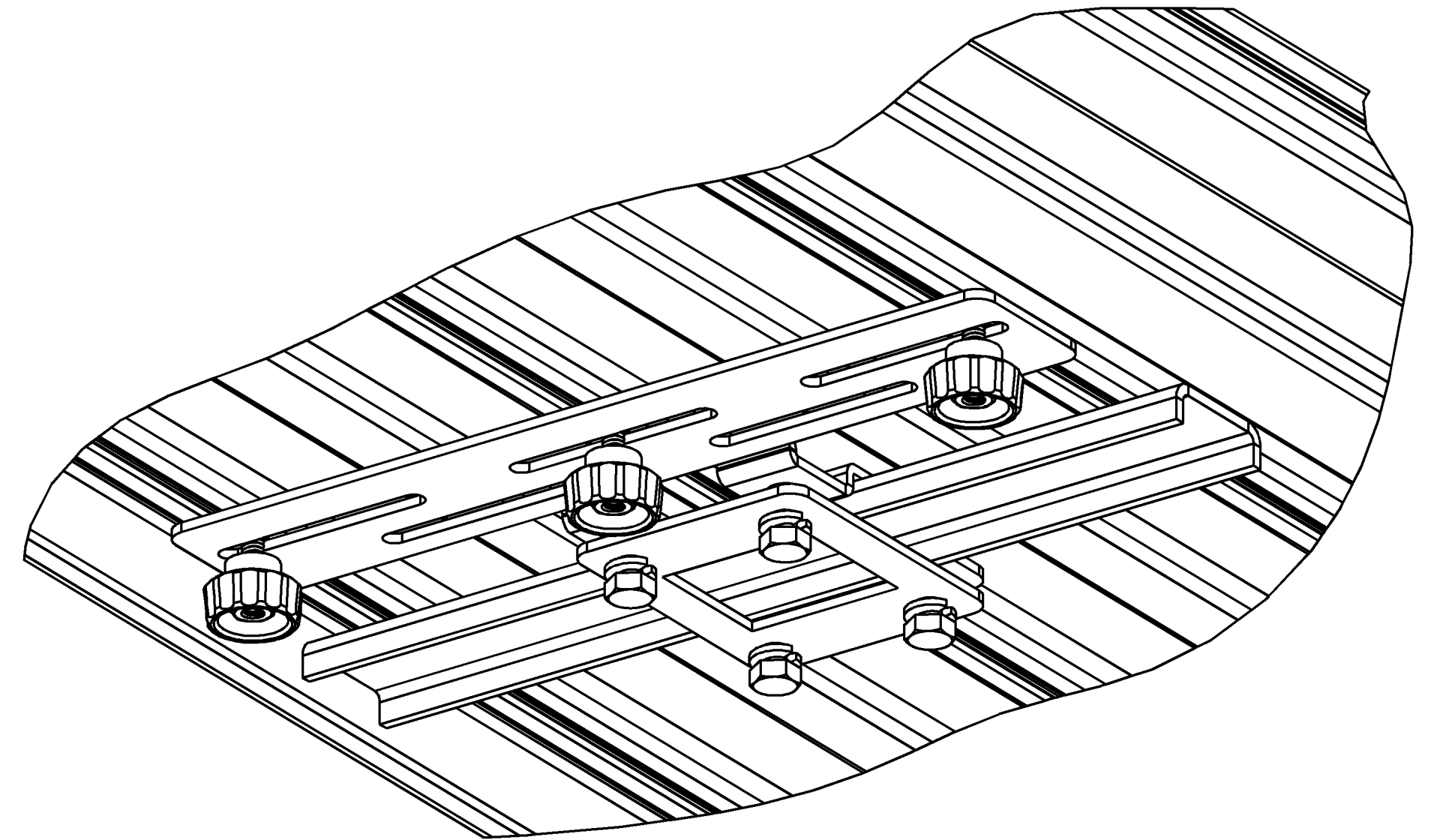


| | | |
|---|--|---|
| INFORMATION ON THIS DOCUMENT IS PROPRIETARY TO ADC AND SHALL NOT BE USED, COPIED, REPRODUCED OR DISCLOSED IN WHOLE OR IN PART WITHOUT WRITTEN CONSENT OF ADC. | TITLE 12" FGS LADDER RACK BRKT INSTL DRW | |
| | TOLERANCE UNLESS OTHERWISE SPECIFIED .XX: ±.02 .XXX: ±.010 ANGULAR: ±2° | C SIZE |
| THIRD ANGLE PROJECTION | DO NOT SCALE DRAWING | ENGR: DEREK DERKS DWN: CRAIG ZELASKO |
| SHT. 1 OF 2 | | A REV |

| REV | ECO | DWN | DATE |
|-----|-----|-----|------|
| | | | |
| | | | |



DETAIL A
QUICK KNOB INSTALLATION
SCALE 1.500



NOTE:

QUICK KNOB INSTALLATION INSTRUCTIONS:

1. INSERT QUICK KNOB ASSEMBLY THROUGH BRACKET, AND ROTATE 90° INTO T-SLOT IN FGS STRAIGHT SECTION. ROTATE QUICK KNOB CLOCKWISE SUCH THAT QUICK KNOB FLANGES EXTEND INTO T-SLOT.
2. TIGHTEN KNOB COMPLETELY.



| | | | |
|---|--|--|---------------------------|
| INFORMATION ON THIS DOCUMENT IS PROPRIETARY TO ADC AND SHALL NOT BE USED, COPIED, REPRODUCED OR DISCLOSED IN WHOLE OR IN PART WITHOUT WRITTEN CONSENT OF ADC. | | TITLE 12" FGS LADDER RACK BRKT INSTL DRW | |
| TOLERANCE UNLESS OTHERWISE SPECIFIED | .XX: ±.02 .XXX: ±.010 ANGULAR: ±2° | C SIZE | DRAWING NUMBER 1168829 |
| THIRD ANGLE PROJECTION | DO NOT SCALE DRAWING | ENGR: DEREK DERKS DWN: CRAIG ZELASKO | A REV |
| | | | SHT. 2 OF 2 |