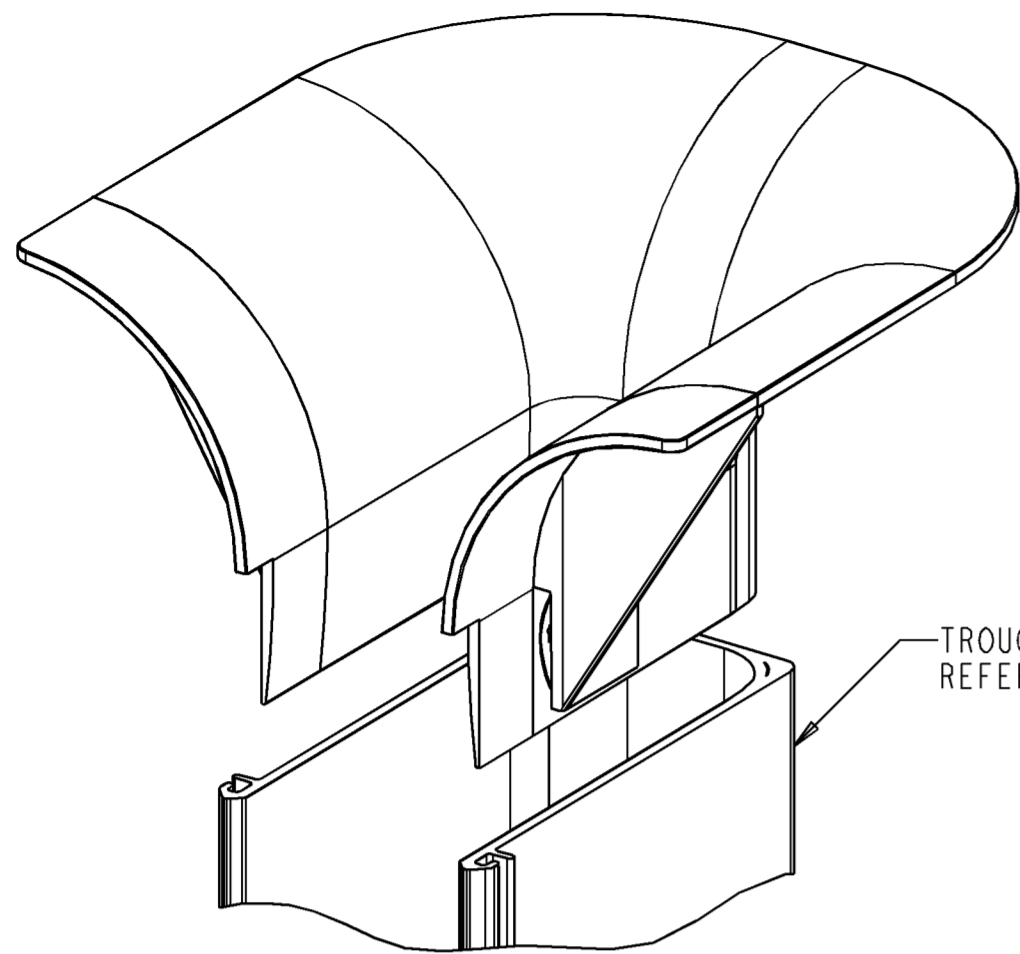
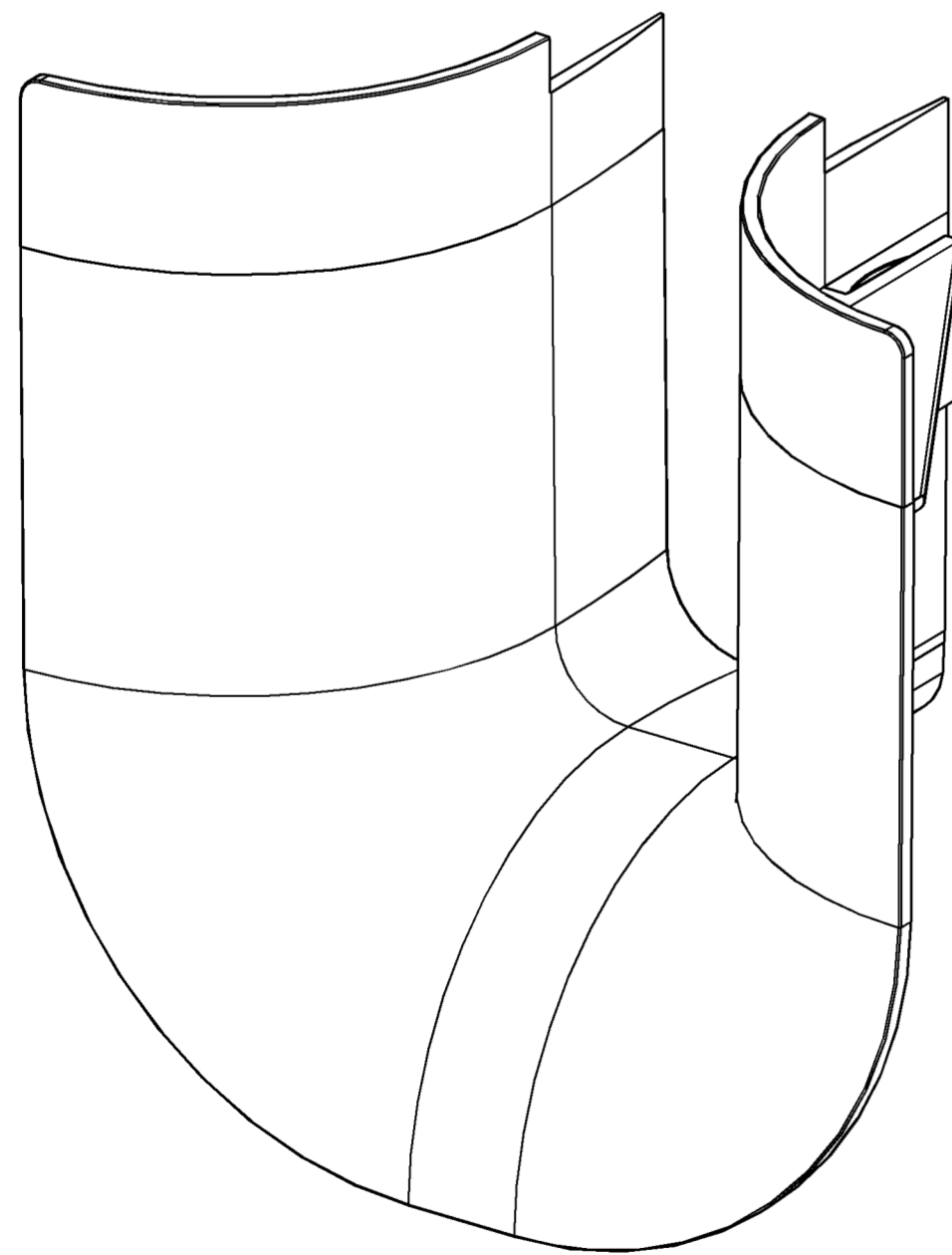
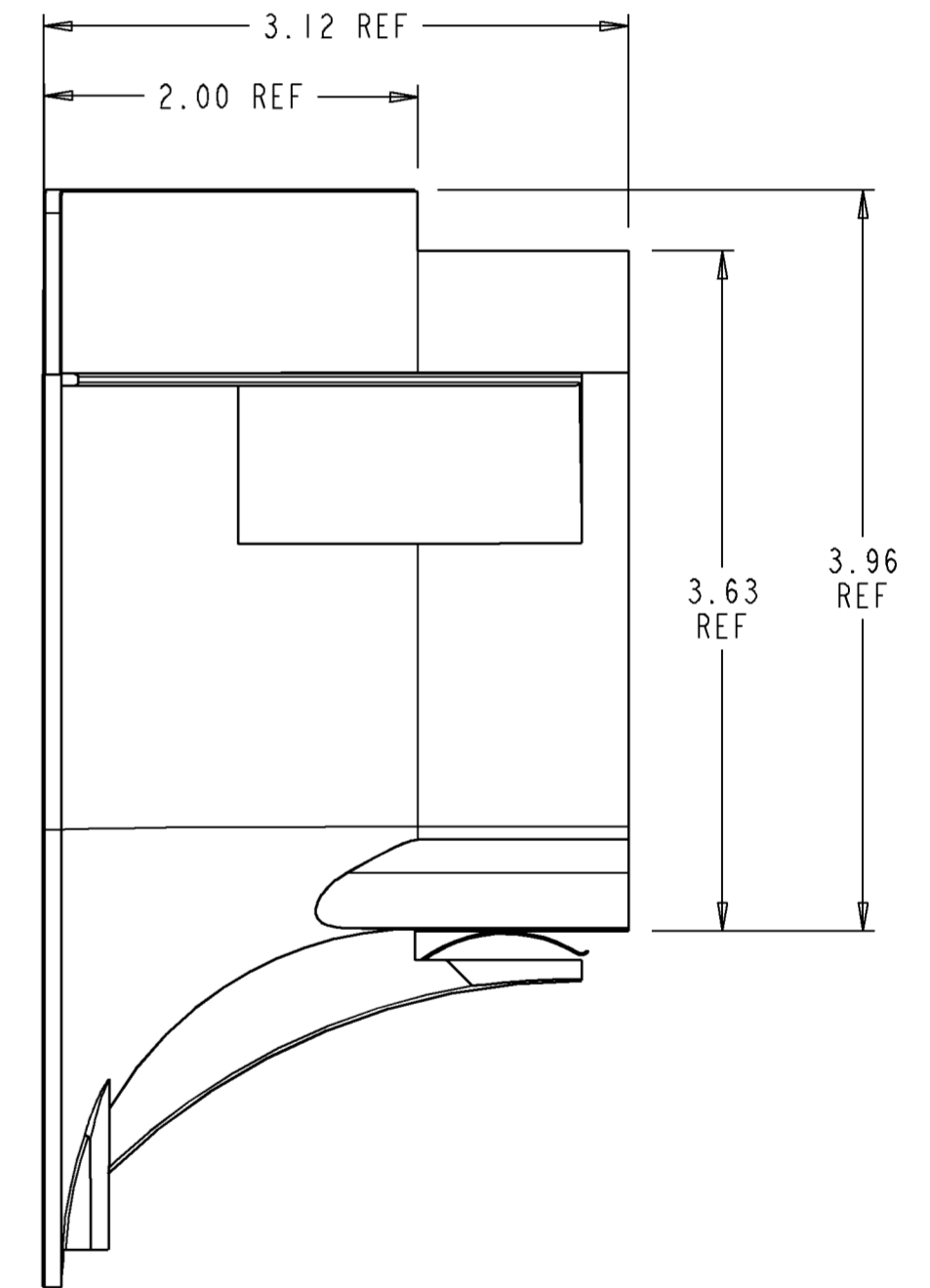
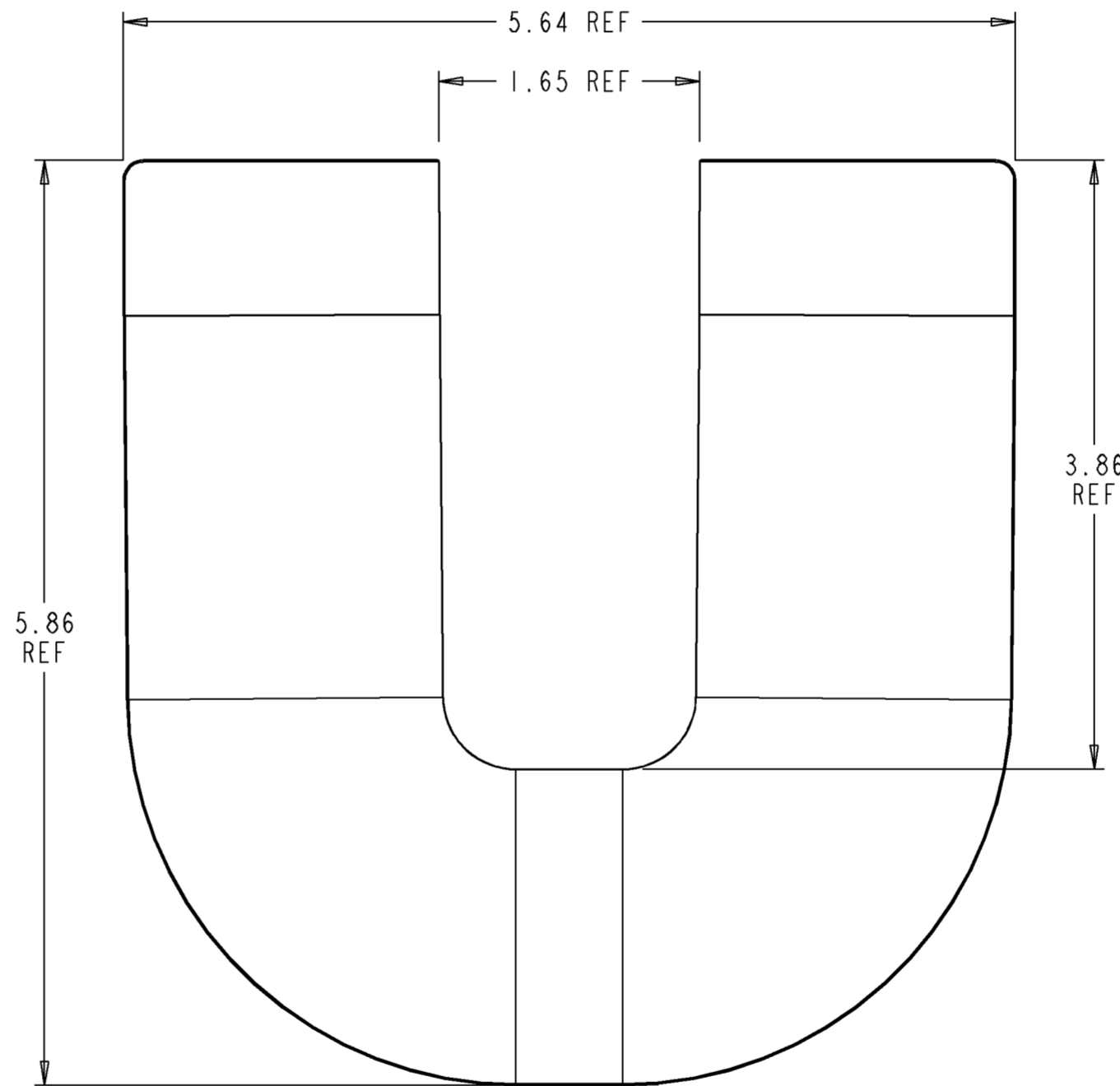
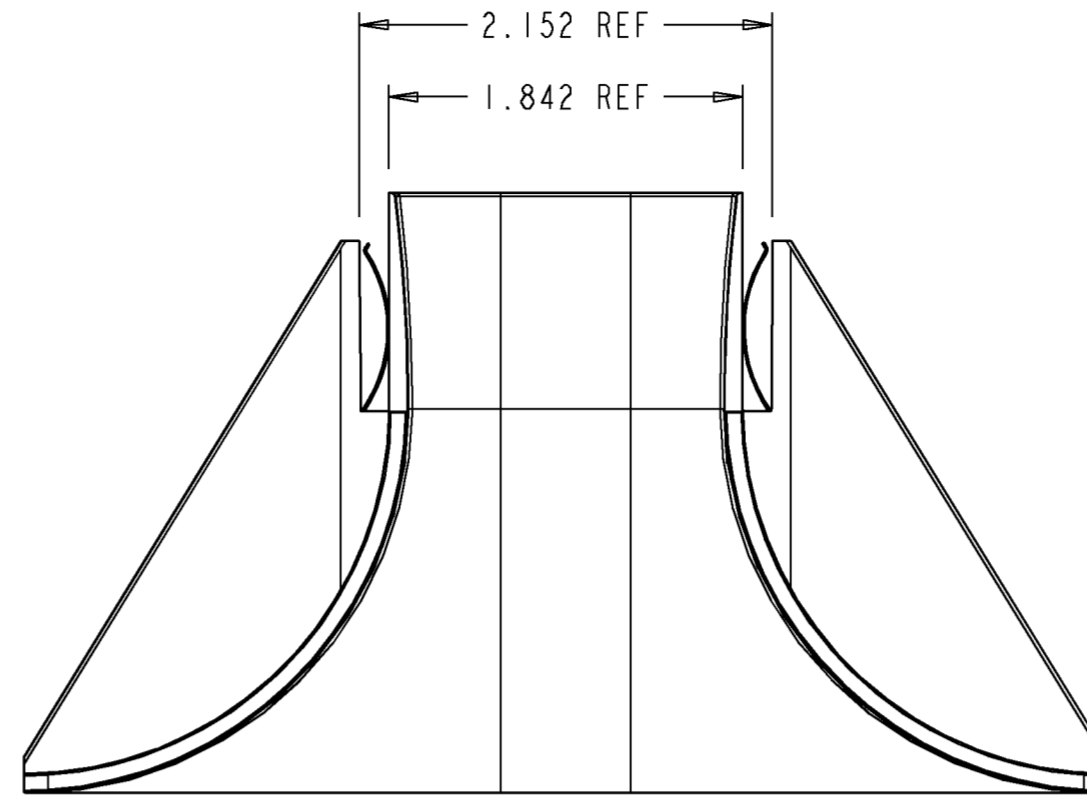


REV	MCO	DWN	DATE
A	20292793	JBC	30-JUL-10
B	20293873	EEG	04-OCT-10



TROUGH SHOWN FOR REFERENCE ONLY



FGSB-MTRM-DS	BLACK
FGS-MTRM-DS	YELLOW
CATALOG NUMBER	COLOR

INFORMATION ON THIS DOCUMENT IS PROPRIETARY TO ADC AND SHALL NOT BE USED, COPIED, REPRODUCED OR DISCLOSED IN WHOLE OR IN PART WITHOUT WRITTEN CONSENT OF ADC.

ALL DIMS AND TOLERANCES ARE INCHES UNLESS OTHERWISE SPECIFIED

.XX:±N/A
.XXX:±N/A
ANGULAR:±N/A

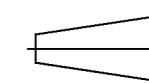


DO NOT SCALE DRAWING

ENGR: DEREK SAYRES
DWN: DEREK SAYRES

TITLE	VERTICAL FGS 2" X 4" TRUMPET FLARE INSTALLATION DRAWING
DRAWING NUMBER	1467764
C SIZE	B REV

SHT. 1 OF 1



**DIMENSIONS IN INCHES
THIRD ANGLE PROJECTION**