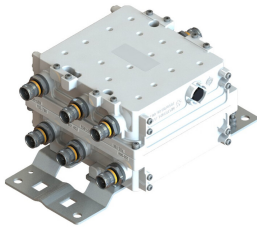


# E14F11P17

---



2X Triplexer 703-788/801-852/890-951, No DC/AISG Bypass, with 4.3-10 connectors

- Industry leading PIM performance
- Twin configuration
- New 4.3-10 connectors for improved PIM performance and size reduction
- Designed for network modernization application, introduction of LTE700 and LTE800 on existing site
- dc/AISG blocking on all ports

## Product Classification

**Product Type** Triplexer

## General Specifications

**Color** Gray

**Modularity** 2-Twin

**Mounting** Pole | Wall

**Mounting Pipe Hardware** Band clamps (2)

**RF Connector Interface** 4.3-10 Female

## Dimensions

**Height** 175 mm | 6.89 in

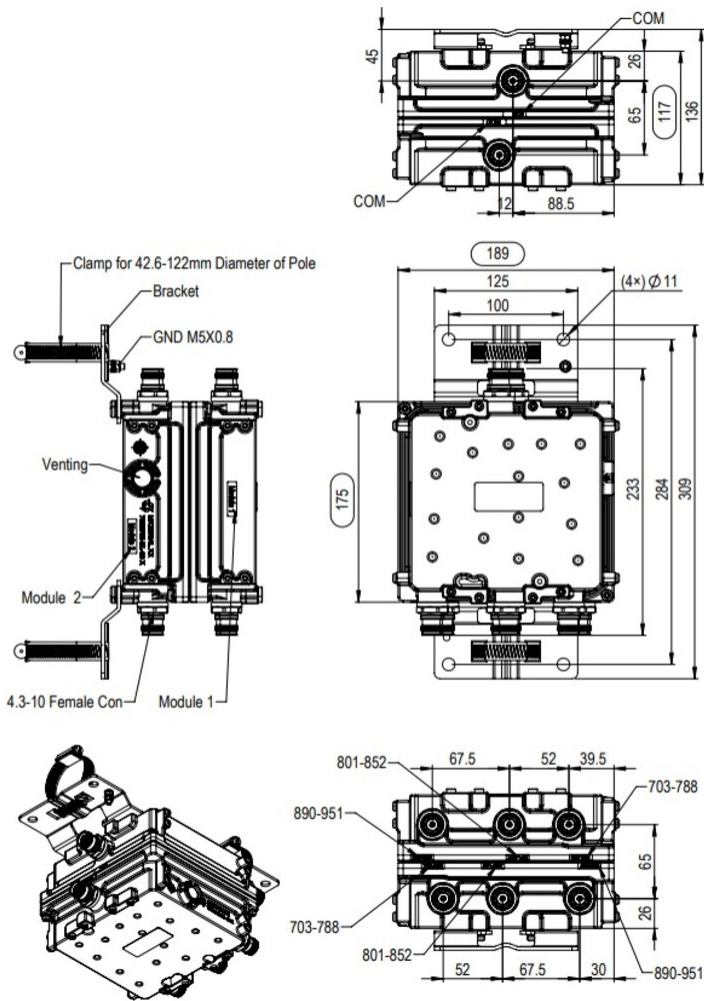
**Width** 189 mm | 7.441 in

**Depth** 117 mm | 4.606 in

**Mounting Pipe Diameter Range** 43–122 mm

## Outline Drawing

# E14F11P17



## Electrical Specifications

**Impedance** 50 ohm

## Electrical Specifications, dc Power/Alarm

**dc/AISG Pass-through, combiner** dc/AISG blocking on all ports

**dc/AISG Pass-through, demultiplexer** dc/AISG blocking on all ports

**Lightning Surge Current** 10 kA

**Lightning Surge Current Waveform** 8/20 waveform

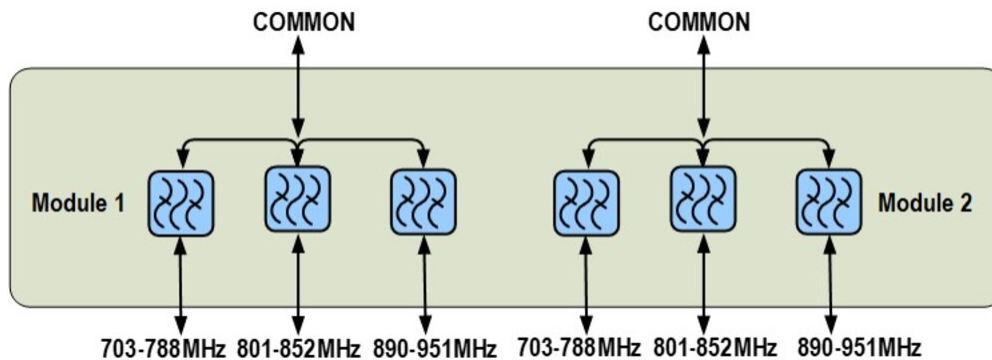
## Electrical Specifications

Sub-module	1   2	1   2	1   2
Branch	1	2	3

# E14F11P17

Port Designation	703-788	801-852	890-951
<b>Electrical Specifications, Band Pass</b>			
<b>Frequency Range, MHz</b>	<b>703-788</b>	<b>801-852</b>	<b>890-951</b>
<b>Insertion Loss, typical, dB</b>	0.15	0.2	0.2
<b>Return Loss, typical, dB</b>	20	20	20
<b>Isolation, typical, dB</b>	32	32	32
<b>Input Power, RMS, maximum, W</b>	150	150	150
<b>Input Power, PEP, maximum, W</b>	1000	1000	1000
<b>3rd Order PIM, typical, dBc</b>	-162	-162	-162
<b>3rd Order PIM Test Method</b>	Two +43 dBm carriers	Two +43 dBm carriers	Two +43 dBm carriers

## Block Diagram



## Environmental Specifications

<b>Operating Temperature</b>	-40 °C to +65 °C (-40 °F to +149 °F)
<b>Corrosion Test Method</b>	IEC 60068-2-11, 30 days
<b>Environmental Test Method</b>	ETSI EN 300 019-1-4
<b>Ingress Protection Test Method</b>	IEC 60529:2001, IP67

## Packaging and Weights

<b>Included</b>	Mounting hardware
<b>Volume</b>	3.9 L
<b>Weight, with mounting hardware</b>	4.5 kg   9.921 lb
<b>Weight, without mounting hardware</b>	4 kg   8.818 lb

## Regulatory Compliance/Certifications

# E14F11P17

---

**Agency**

ISO 9001:2015

**Classification**

Designed, manufactured and/or distributed under this quality management system