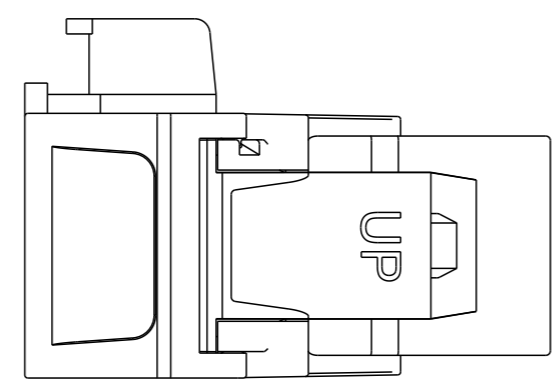
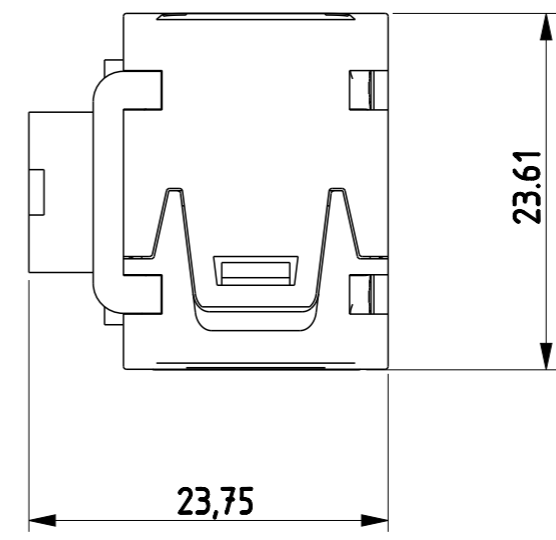
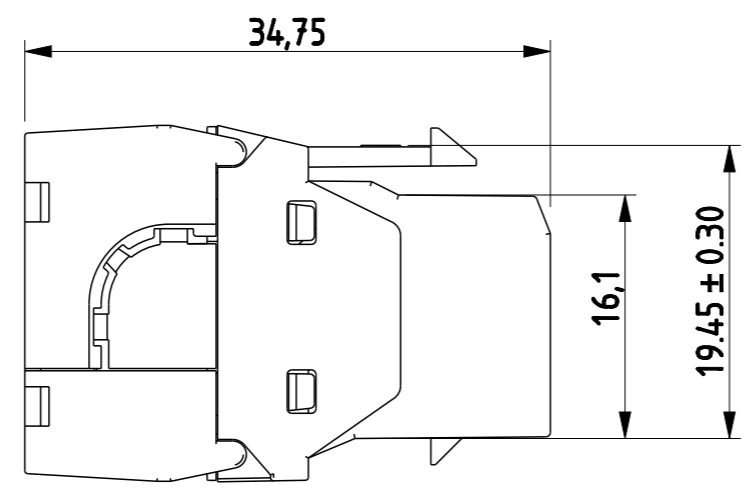
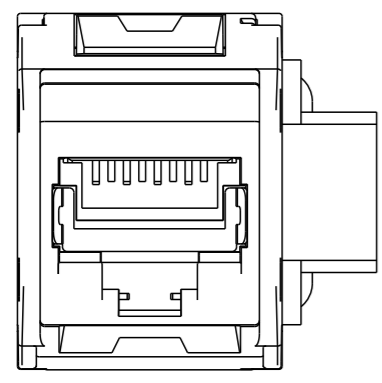
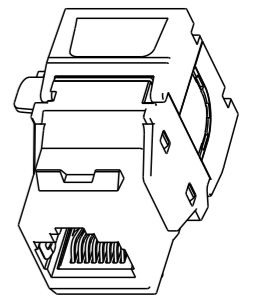
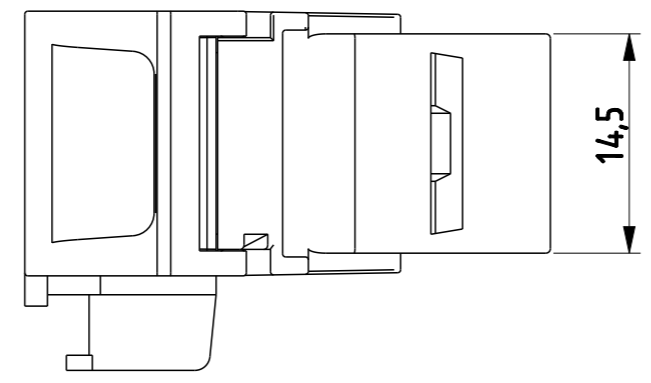


REV	DESCRIPTION	DATE	DWN	APVD
A	40161803CM0	29-NOV-2022	MB	JS



1. PRODUCT MEETS ANSI/TIA-568.2-D AND ISO/IEC 11801-1 CATEGORY 6A WITH THE APPLICABLE ELECTRICAL TRANSMISSION CHARACTERISTICS.
2. MEETS THE REQUIREMENTS OF IEC 60603-7-51, IEC 60512-99-002:2019 4PPoE.
3. MATERIALS: OUTER CASING IS Zn ALLOY WITH NICKEL PLATED
4. RJ45 JACK CONTACT: PHOSPHOR BRONZE, 50u" SLECTIVE GOLD PLATING

TOLERANCE TABLE	
ALL DIMENSIONS ARE IN mm	
DIMENSIONS	TOLERANCE
UP TO 10	±0.15
11-50	±0.25
51-120	±0.40
121-300	±0.50
ANGLE	±1°

COMMSCOPE, INC.				
DRAFTER MANJUNATH BHAT		TITLE KJX-SE-6A		
ENGINEER JAYANTH S		SIZE A3	SCALE 2,000	DOCUMENT NO. 760254922-C
CUSTOMER DRAWING			REVISION A	SHEET 1 OF 1